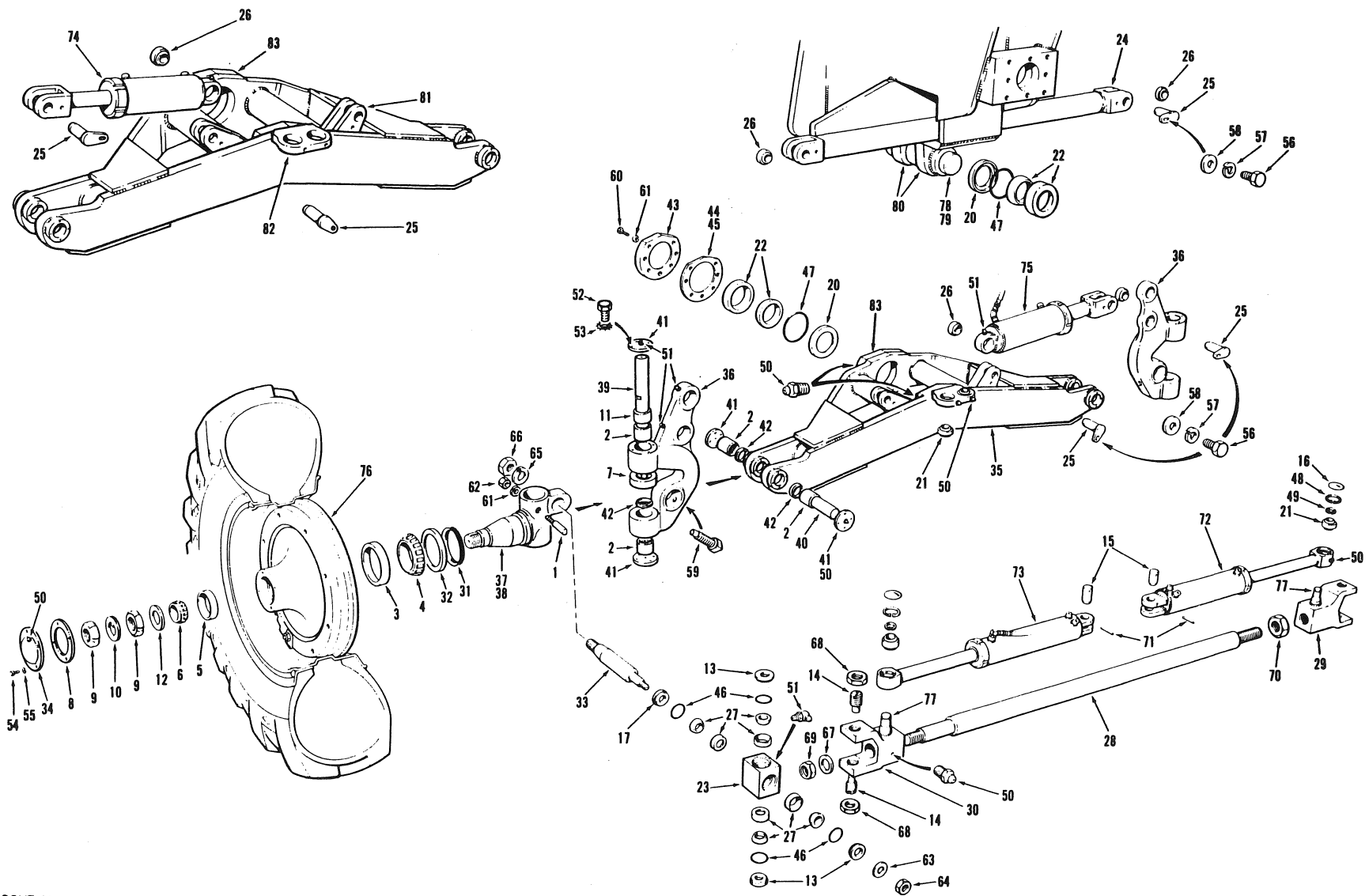


CHAMPION ROAD MACHINERY

USE ONLY  CHAMPION ROAD MACHINERY APPROVED PARTS



FRONT AXLE

JUNE 1986

FOR LIST OF PARTS - TURN THIS PAGE

POUR LA LISTE DES PIÈCES - VOIR AU VERSO

PARA LA LISTA DE LAS PIEZAS - VER AL VERSO

ISSUE No.
N° D'ÉMISSION
N° DE EDICION 1 REVISION A

EFFECTIVE SERIAL NUMBERS) 16224, 16245
NUMEROS) DE SERIE EFFECTIFS) & UP TO 16808
NUMEROS) DE SERIE EFFECTIVOS)

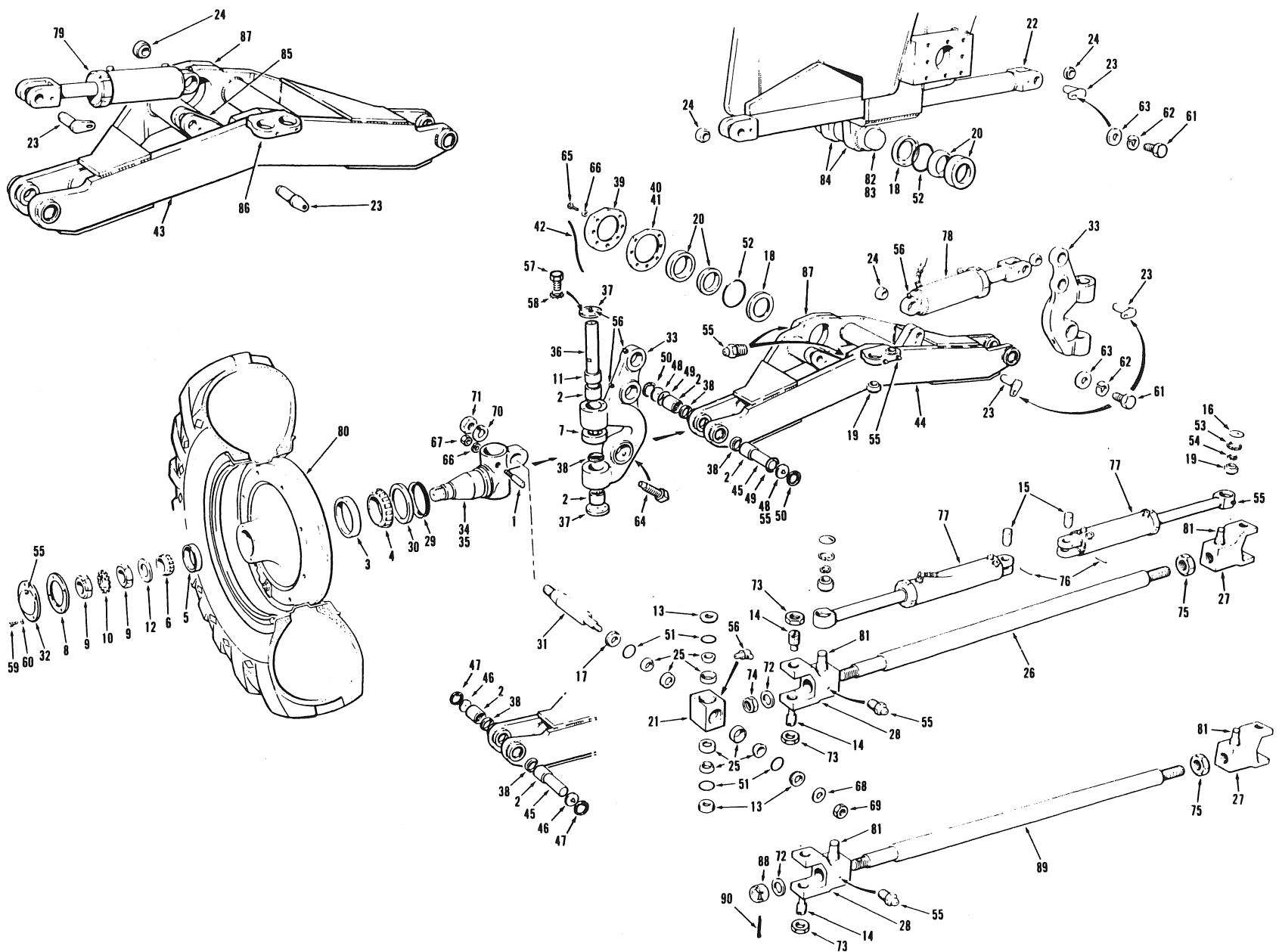
U.S. 2021-2 & UP TO 2419-2

700 SERIES
SERIE 700

SECTION 1 PAGE 1
SECCION 1 PAGINA 1

SECTION SECCION 1		PAGE PAGINA 2	ISSUE No. N° D'ÉMISSION N° DE EDICION 1 REVISION A	FRONT AXLE		JUNE 1986			
No. N° N°	PART No. N° DE PIÈCE N° DE PIEZA	DESCRIPTION DÉSCRIPTION DESCRIPCION	No. REQ. N° REQ. N° REQ.	REMARKS REMARQUES NOTAS	No. N° N°	PART No. N° DE PIECE N° DE PIEZA	DESCRIPTION DÉSCRIPTION DESCRIPCION	No. REQ. N° REQ. N° REQ.	REMARKS REMARQUES NOTAS
1	726	KEY PIN	2		46	12A-223	O RING	8	
2	1487B	NEEDLE BEARING	8		47	12A-247	O RING	2	
3	8142A	CUP - INNER BEARING	2		48	19B-218	SNAP RING	2	
4	8142B	CONE - INNER BEARING	2		49	19C-137	SNAP RING	2	
5	8143A	CUP - OUTER BEARING	2		50	29A-02	GREASE FITTING	9	
6	8143B	CONE - OUTER BEARING	2		51	29B-02	GREASE FITTING	11	
7	8144	THRUST BEARING	2		52	51A-0404	BOLT	32	
8	8146	GASKET - HUB CAP	2		53	14J-04	STARWASHER	32	
9	8148	LOCKNUT	4		54	50A-0506	BOLT	8	
10	8149	LOCKWASHER	2		55	14A-05	LOCKWASHER	8	
11	8180	NEEDLE BEARING	2		56	50A-0606	BOLT	4	
12	9466	WASHER - WHEEL BEARING	2		57	14A-06	LOCKWASHER	4	
13	12903	BEARING RETAINER	6		58	14C-06	FLATWASHER	4	
14	12904	ADJUSTMENT PIN	4		59	70K-0832	SET SCREW	2	
15	12911	PIVOT PIN	2		60	50AA-0814	BOLT	7	
16	15358	EXPANSION PLUG	2		61	14A-08	LOCKWASHER	9	
17	17648	BEARING RETAINER	2		62	*31D-08	NUT	2	
20	18348	BACK-UP WASHER	2		63	14C-12	FLATWASHER	2	
21	19629	RADIAL BEARING - 35mm	4		64	*37N-12	LOCKNUT	2	
22	19633	THRUST BEARING - 80mm	2		65	14A-18	LOCKWASHER	2	
23	24196	PIVOT BLOCK	2		66	31A-18	NUT	2	
24	24199	TIE BAR	1		67	14C-20	FLATWASHER	1	
25	24207	BEARING PIN	4		68	31D-20	JAM NUT	4	
26	24210	RADIAL SPHERICAL BEARING -35mm	4		69	37M-20	LOCKNUT	1	
27	24213	ANGULAR CONTACT BEARING - 25mm	8		70	31D-28	JAM NUT	1	
28	24797	DRAG LINK	1		71	13J-0816	ROLL PIN	2	
29	24798	YOKE - R.H.	1						
30	24799	YOKE - L.H.	1		72		STEERING CYLINDER - R.H.	REF.	SECTION 1
31	24947	V-RING SEAL	2		73		STEERING CYLINDER - L.H.	REF.	PAGE 13/14
32	24948	BACK-UP RING	2						
33	25063	RADIUS ARM	2		74		3" DIA. LEANING WHEEL CYLINDER	REF.	SECTION 1
34	25243	HUB CAP	2		75		4" DIA. LEANING WHEEL CYLINDER	REF.	PAGE 17/18
35	27931	AXLE FRAME	1						
36	27936	KNUCKLE	2		76		WHEELS & TIRES	REF.	SECTION 7
37	27937	SPINDLE - R.H.	1						PAGE 5/6
38	27938	SPINDLE - L.H.	1						
39	27939	KING PIN	2						
40	27940	PIN	2						
41	27951	PIN CAP	8						
42	27954	OIL SEAL	6		77	12907-2	PIVOT STUD - STEERING CYLINDER	A.R.	
43	35207	PIVOT CAP - AXLE	1		78	17058-14	PIN & LUG ASSEMBLY	1	
44	35208	SHIM - .010"	A.R.		79	17058-38	PIN	1	
45	35209	SHIM - .005"	A.R.		80	17058-39	LUG	A.R.	
					81	24200-6	LUG ASSEMBLY	A.R.	
					82	27460	ANCHOR LUG - STEERING CYLINDER	1	
					83	35206	FRONT BEARING MOUNT - USED WITH ITEMS 43 TO 45	1	
						35005	REPAIR KIT - INCLUDES ITEMS 1 TO 8, 11, 16, 21, 22, 26, 27, 31, 32, 42, 46, 47 & 71		

CHAMPION ROAD MACHINERY



USE ONLY CHAMPION ROAD MACHINERY APPROVED PARTS

EFFECTIVE SERIAL NUMBERS) 16809 & UP
 NUMEROSI DE SERIE EFFETTIVI) 16809 & UP
 NUMEROSI DE SERIE EFECTIVOS) 16809 & UP
 U.S. 2420-2 & UP

700 SERIES
 SERIE 700

SECTION 1 PAGE 1
 SECCION 1 PAGINA 1

ISSUE No. N° D'ÉMISSION N° DE EDICION 2 REVISION C

FRONT AXLE - MODEL 710 THRU 760A

JANUARY 1988

FOR LIST OF PARTS - TURN THIS PAGE POUR LA LISTE DES PIÈCES - VOIR AU VERSO PARA LA LISTA DE LAS PIEZAS - VER AL VERSO

SECTION SECCION 1		PAGE PAGINA 2	ISSUE No. N° D'ÉMISSION N° DE EDICION	2 REVISION C	FRONT AXLE - MODEL 710 THRU 760A			JANUARY 1988	
No. N° N°	PART No. N° DE PIÈCE N° DE PIEZA	DESCRIPTION DESCRIPTION DESCRIPCION	No. REQ. N° REQ. N° REQ.	REMARKS REMARQUES NOTAS	No. N° N°	PART No. N° DE PIECE N° DE PIEZA	DESCRIPTION DESCRIPTION DESCRIPCION	No. REQ. N° REQ. N° REQ.	REMARKS REMARQUES NOTAS
1	726	KEY PIN	2		48	*46546	PIN CAP	4	S/N 16893 AND UP U.S.-2420-2 AND UP
2	1487B	NEEDLE BEARING	8		49	12A-228	O RING	4	
3	8142A	CUP - INNER BEARING	2		50	19B-262	SNAP RING	4	
4	8142B	CONE - INNER BEARING	2						
5	8143A	CUP - OUTER BEARING	2		51	12A-223	O RING	8	
6	8143B	CONE - OUTER BEARING	2		52	12A-247	O RING	2	
7	8144	THRUST BEARING	2		53	*19B-262	SNAP RING	4	
8	8146	GASKET - HUB CAP	2		54	19C-137	SNAP RING	2	
9	8148	LOCKNUT	4		55	*28A-04	GREASE FITTING	13	
10	8149	LOCKWASHER	2		56	*28B-04	GREASE FITTING	12	
11	8180	NEEDLE BEARING	2		57	51A-0404	BOLT	16	
12	9466	WASHER - WHEEL BEARING	2		58	14J-04	STARWASHER	16	
13	12903	BEARING RETAINER	6		59	50A-0506	BOLT	8	
14	12904	ADJUSTMENT PIN	4		60	14A-05	LOCKWASHER	8	
15	12911	PIVOT PIN	2		61	50A-0606	BOLT	4	
16	15258	EXPANSION PLUG	2		62	14A-06	LOCKWASHER	4	
17	17648	BEARING RETAINER	2		63	14C-06	FLATWASHER	4	
18	18348	BACK-UP WASHER	2		64	70K-0832	SET SCREW	2	
19	19629	RADIAL BEARING - 35mm	4		65	50AA-0814	BOLT	7	
20	19633	THRUST BEARING - 80mm	2		66	14A-08	LOCKWASHER	9	
21	*46611	PIVOT BLOCK	2		67	31D-08	NUT	2	
22	24199	TIE BAR	1		68	14C-12	FLATWASHER	2	
23	24207	BEARING PIN	4		69	37N-12	LOCKNUT	2	
24	24210	RADIAL SPHERICAL BEARING - 35mm	6		70	14A-18	LOCKWASHER	2	
25	24213	ANGULAR CONTACT BEARING - 25mm	8		71	31A-18	NUT	2	
26	24797	DRAG LINK	1	UP TO S/N 17795 U.S.2644-2	72	14D-20	FLATWASHER	1	
27	24798	YOKE - R.H.	1		73	31D-20	JAM NUT	4	
28	*46593	YOKE - L.H.	1		74	37M-20	LOCKNUT	1	UP TO S/N 17795 U.S.-2644-2
29	24947	V-RING SEAL	2						
30	24948	BACK-UP RING	2		75	31D-28	JAM NUT	1	
31	25063	RADIUS ARM	2		76	*13C-0816	ROLL PIN	2	
32	*46607	HUB CAP	2						
33	*46601	KNUCKLE	2		77		STEERING CYLINDER	REF.	SECTION 1 PAGE 13/14
34	27937	SPINDLE - R.H.	1						
35	27938	SPINDLE - L.H.	1		78		3"DIA. LEANING WHEEL CYLINDER	REF.	SECTION 1
36	27939	KING PIN	2		79		4"DIA. LEANING WHEEL CYLINDER	REF.	PAGE 17/18
37	*46610	PIN CAP	4						
38	27954	OIL SEAL	6		80		WHEELS & TIRES	REF.	SECTION 7 PAGE 5/6
39	35207	PIVOT CAP - AXLE	1						
40	35208	SHIM - .010"	A.R.		81	12907-2	PIVOT STUD - STEERING CYLINDER	2	
41	35209	SHIM - .005"	A.R.		82	17058-14	PIN & LUG ASSEMBLY	1	
42	35241 X 12	WIRE	1		83	17058-38	PIN	1	REPAIR PARTS
43	41980	AXLE FRAME - SINGLE	1		84	17058-39	LUG	2	
44	41981	AXLE FRAME - DUAL	1		85	24200-6	LUG ASSEMBLY	1or2	
45	42203	PIN	2		86	*46550	ANCHOR LUG - STEERING CYLINDER	1	
46	41979	PIN CAP	4	UP TO S/N 16892 U.S.-2419-2	87	*46563	FRONT BEARING MOUNT - USED WITH ITEMS 39 TO 41	1	
47	19B-231	SNAP RING	4				35005	REPAIR KIT - INCLUDES ITEMS 1 TO 8 .11, .16, .19, .20, .24, .25, .29, .30, .38, .51, .52 & .76	
					88	44188	CASTELLATED NUT	1	S/N 17796 AND UP U.S.-2645-2
					89	44365	DRAG LINK	1	
					90	13A-0636	COTTER PIN	1	

CHAMPION ROAD MACHINERY

JANUARY 1991

FRONT AXLE - Models 710 thru 750A

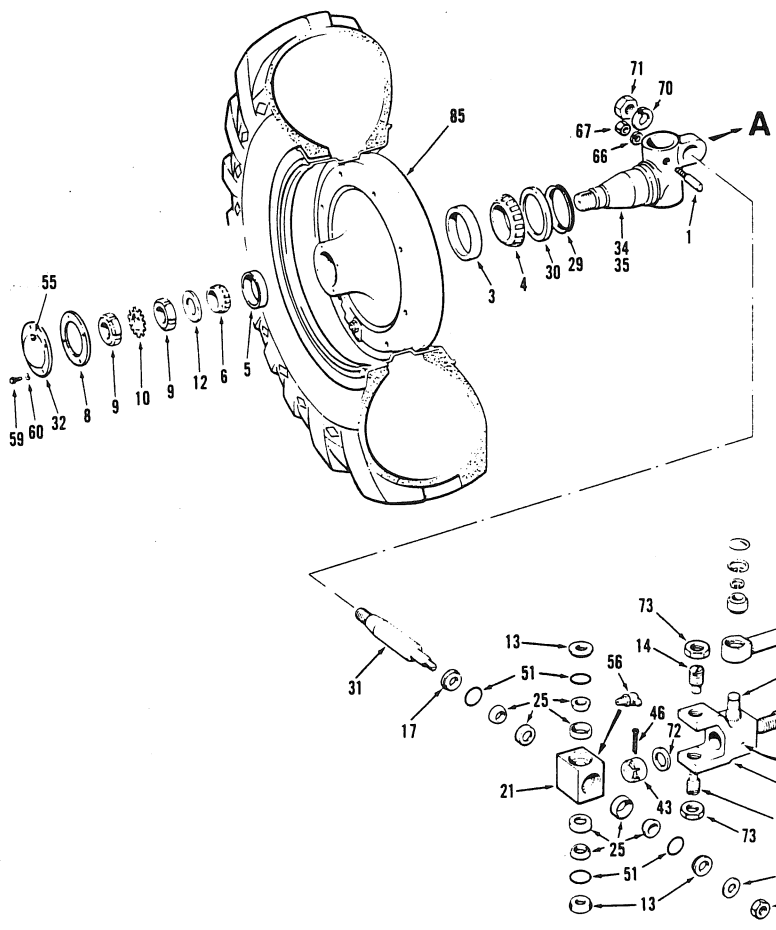
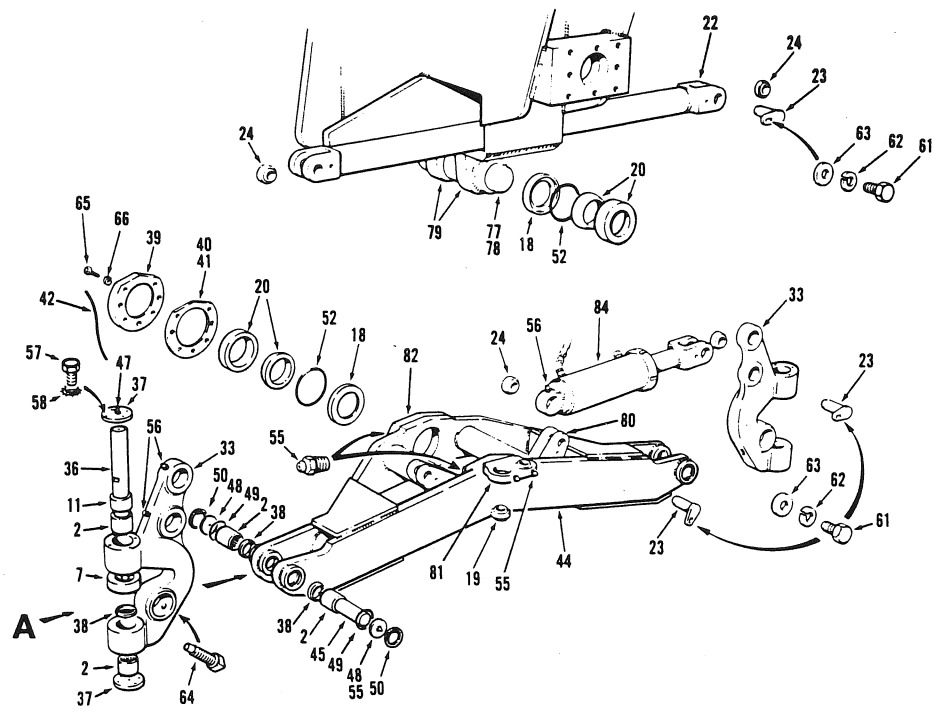
PARA LA LISTA DE LAS PIEZAS - VER AL VERSO

POUR LA LISTE DES PIÈCES - VOIR AU VERSO

FOR LIST OF PARTS - TURN THIS PAGE

3

ISSUE No.
N° D'ÉMISSION
N° DE EDICION



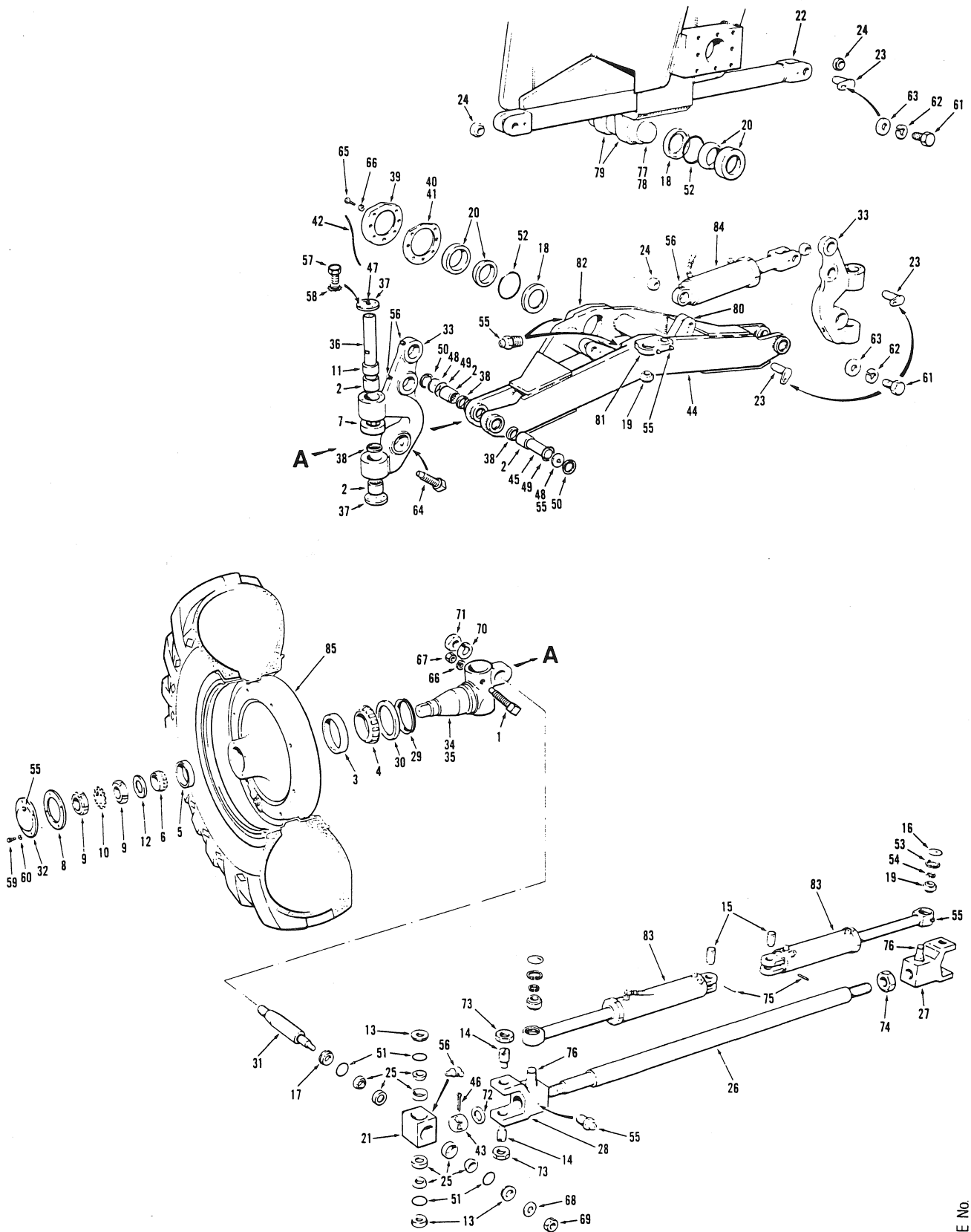
EFFECTIVE SERIAL NUMBER(S) 20719 & UP
 NUMERO(S) DE SÉRIE EFFECTIF(S) EXCLUDING 20731
 NUMERO(S) DE SERIE EFECTIVO(S)

700 SERIES
 SERIE 700

SECTION 1 PAGE 1
 SECCION 1 PAGINA 1

SECTION SECCION		PAGE PAGINA		ISSUE No. N° D'ÉMISSION N° DE EDICION		FRONT AXLE - Models 710 thru 750A			JANUARY 1991	
No. N° N°	PART No. N° DE PIÈCE N° DE PIEZA	DESCRIPTION DÉSCRIPTION DESCRIPCION	No. REQ. N° REQ. N° REQ.	REMARKS REMARQUES NOTAS	No. N° N°	PART No. N° DE PIÈCE N° DE PIEZA	DESCRIPTION DÉSCRIPTION DESCRIPCION	No. REQ. N° REQ. N° REQ.	REMARKS REMARQUES NOTAS	
1	726	KEY PIN	2		46	13A-0636	COTTER PIN	1		
2	1487B	NEEDLE BEARING	8		47	*29A-02	GREASE FITTING	2		
3	8142A	CUP - INNER BEARING	2		48	46546	PIN CAP	4		
4	8142B	CONE - INNER BEARING	2		49	12A-228	O-RING	4		
5	8143A	CUP - OUTER BEARING	2		50	19B-262	SNAP RING	4		
6	8143B	CONE - OUTER BEARING	2		51	12A-223	O-RING	8		
7	8144	THRUST BEARING	2		52	12A-247	O-RING	2		
8	8146	GASKET - HUB CAP	2		53	19B-262	SNAP RING	4		
9	8148	LOCKNUT	4		54	19C-137	SNAP RING	2		
10	8149	LOCKWASHER	2		55	28A-04	GREASE FITTING	13		
11	8180	NEEDLE BEARING	2		56	28B-04	GREASE FITTING	10		
12	9466	WASHER - WHEEL BEARING	2		57	51A-0404	BOLT	12		
13	12903	BEARING RETAINER	6		58	14J-04	STARWASHER	12		
14	12904	ADJUSTMENT PIN	4		59	50A-0506	BOLT	12		
15	12911	PIVOT PIN	2		60	14-05	LOCKWASHER	8		
16	*15358	EXPANSION PLUG	2		61	50A-0606	BOLT	4		
17	17648	BEARING RETAINER	2		62	14A-06	LOCKWASHER	4		
18	18348	BACK-UP WASHER	2		63	14C-06	FLATWASHER	4		
19	19629	RADIAL BEARING - 35mm	4		64	70K-0832	SET SCREW	2		
20	19633	THRUST BEARING - 80mm	2		65	50AA-0814	BOLT	7		
21	46611	PIVOT BLOCK	2		66	14A-08	LOCKWASHER	11		
22	24199	TIE-BAR	1		67	31D-08	NUT	2		
23	24207	BEARING PIN	4		68	14C-12	FLATWASHER	2		
24	24210	RADIAL SPHERICAL BEARING - 35mm	6		69	37N-12	LOCKNUT	2		
25	24213	ANGULAR CONTACT BEARING - 25mm	8		70	14A-18	LOCKWASHER	2		
26	44365	DRAG LINK	1		71	31A-18	NUT	2		
27	24798	YOKE - R.H.	1		72	14D-20	FLATWASHER	1		
28	46593	YOKE - L.H.	1		73	31D-20	JAM NUT	4		
29	24947	V-RING SEAL	2		74	31D-28	JAM NUT	1		
30	24948	BACK-UP RING	2		75	13C-0816	ROLL PIN	2		
31	25063	RADIUS ARM	2							
32	*25243	HUB CAP	2		76	12907-2	PIVOT STUD - STEERING CYLINDER	2		
33	*56715	KNUCKLE	2		77	17058-14	PIN & LUG ASSEMBLY	1		
34	27937	SPINDLE - R.H.	1		78	17058-38	PIN	1		
35	27938	SPINDLE - L.H.	1		79	17058-39	LUG	2		
36	27939	KING PIN	2		80	24200-6	LUG ASSEMBLY	2		
37	*56714	PIN CAP	4		81	46550	ANCHOR LUG - STEERING CYLINDER	1		
38	27954	OIL SEAL	6		82	46563	FRONT BEARING MOUNT	1		
39	35207	PIVOT CAP - AXLE	1				- USED WITH ITEMS 39, 40 & 41			
40	35208	SHIM - .010"	15							
41	35209	SHIM - .005"	15		83		STEERING CYLINDER	REF.	Sect 1 Pg 13	
42	35241 x 12	WIRE	1		84		3" DIA. LEANING WHEEL CYLINDER	REF.	Sect 1 Pg 17	
43	44188	CASTELLATED NUT	1							
44	41981	AXLE FRAME - DUAL	1							
45	42203	PIN	2		85		WHEELS & TIRES	REF.	Sect 7 Pg 5	

Repair Parts



EFFECTIVE SERIAL NUMBER(S) 21450 & UP
 NUMERO(S) DE SÉRIE EFFECTIF(S)
 NUMERO(S) DE SERIE EFECTIVO(S)

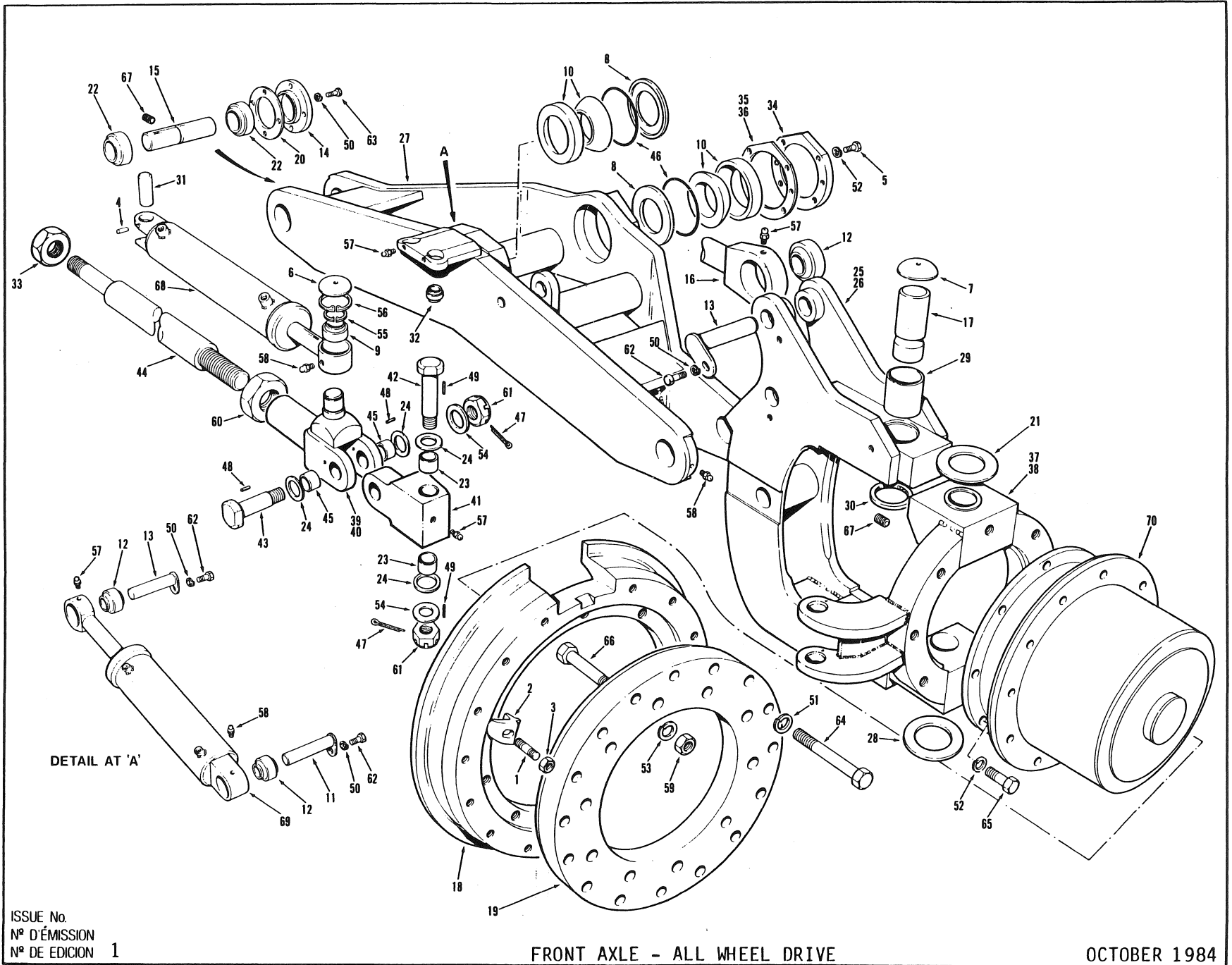
700 SERIES
 SERIE 700

SECTION 1

PAGE 1
 PAGINA 1

SECTION SECCION	1	PAGE PAGINA	2	ISSUE No. N° D'ÉMISSION N° DE EDICION	4	FRONT AXLE - Models 710 thru 750A					MAY 1991
No. N° N°	PART No. N° DE PIÉCE N° DE PIEZA	DESCRIPTION DÉSCRIPTION DESCRIPCION			No. REQ. N° REQ. N° REQ.	REMARKS REMARQUES NOTAS	No. N° N°	PART No. N° DE PIÉCE N° DE PIEZA	DESCRIPTION DÉSCRIPTION DESCRIPCION	No. REQ. N° REQ. N° REQ.	REMARKS REMARQUES NOTAS
1	*70K-0824	KEY PIN			2		46	13A-0636	COTTER PIN	1	
2	1487B	NEEDLE BEARING			8		47	29A-02	GREASE FITTING	2	
3	8142A	CUP - INNER BEARING			2		48	46546	PIN CAP	4	
4	8142B	CONE - INNER BEARING			2		49	12A-228	O-RING	4	
5	8143A	CUP - OUTER BEARING			2		50	19B-262	SNAP RING	4	
6	8143B	CONE - OUTER BEARING			2		51	12A-223	O-RING	8	
7	8144	THRUST BEARING			2		52	12A-247	O-RING	2	
8	8146	GASKET - HUB CAP			2		53	19B-262	SNAP RING	4	
9	8148	LOCKNUT			4		54	19C-137	SNAP RING	2	
10	8149	LOCKWASHER			2		55	28A-04	GREASE FITTING	13	
11	8180	NEEDLE BEARING			2		56	28B-04	GREASE FITTING	10	
12	9466	WASHER - WHEEL BEARING			2		57	51A-0404	BOLT	12	
13	12903	BEARING RETAINER			6		58	14J-04	STARWASHER	12	
14	12904	ADJUSTMENT PIN			4		59	50A-0506	BOLT	12	
15	12911	PIVOT PIN			2		60	14-05	LOCKWASHER	8	
16	*59030	EXPANSION PLUG			2		61	50A-0606	BOLT	4	
17	17648	BEARING RETAINER			2		62	14A-06	LOCKWASHER	4	
18	18348	BACK-UP WASHER			2		63	14C-06	FLATWASHER	4	
19	19629	RADIAL BEARING - 35mm			4		64	70K-0832	SET SCREW	2	
20	19633	THRUST BEARING - 80mm			2		65	*50A-0814	BOLT	7	
21	46611	PIVOT BLOCK			2		66	14A-08	LOCKWASHER	11	
22	24199	TIE-BAR			1		67	31D-08	NUT	2	
23	24207	BEARING PIN			4		68	14C-12	FLATWASHER	2	
24	24210	RADIAL SPHERICAL BEARING - 35mm			6		69	37N-12	LOCKNUT	2	
25	24213	ANGULAR CONTACT BEARING - 25mm			8		70	14A-18	LOCKWASHER	2	
26	44365	DRAG LINK			1		71	31A-18	NUT	2	
27	24798	YOKE - R.H.			1		72	14D-20	FLATWASHER	1	
28	46593	YOKE - L.H.			1		73	31D-20	JAM NUT	4	
29	24947	V-RING SEAL			2		74	31D-28	JAM NUT	1	
30	24948	BACK-UP RING			2		75	13C-0816	ROLL PIN	2	
31	25063	RADIUS ARM			2						
32	25243	HUB CAP			2		76	12907-2	PIVOT STUD - STEERING CYLINDER	2	
33	*59355	KNUCKLE			2		77	17058-14	PIN & LUG ASSEMBLY	1	
34	*59352	SPINDLE - R.H.			1		78	17058-38	PIN	1	
35	*59351	SPINDLE - L.H.			1		79	17058-39	LUG	2	Repair Parts
36	27939	KING PIN			2		80	24200-6	LUG ASSEMBLY	2	
37	*59356	PIN CAP			4		81	46550	ANCHOR LUG - STEERING CYLINDER	1	
38	27954	OIL SEAL			6		82	46563	FRONT BEARING MOUNT	1	
39	35207	PIVOT CAP - AXLE			1				- USED WITH ITEMS 39, 40 & 41		
40	35208	SHIM - .010"			15						
41	35209	SHIM - .005"			15		83		STEERING CYLINDER	REF.	Sect 1 Pg 13
42	35241 x 12	WIRE			1						
43	44188	CASTELLATED NUT			1		84		3" DIA. LEANING WHEEL CYLINDER	REF.	Sect 1 Pg 17
44	*48287	AXLE FRAME - DUAL			1						
45	42203	PIN			2		85		WHEELS & TIRES	REF.	Sect 7 Pg 5

CHAMPION ROAD MACHINERY



DETAIL AT 'A'

FRONT AXLE - ALL WHEEL DRIVE

OCTOBER 1984

FOR LIST OF PARTS - TURN THIS PAGE

POUR LA LISTE DES PIÈCES - VOIR AU VERSO

PARA LA LISTA DE LAS PIEZAS - VER AL VERSO

EFFECTIVE SERIAL NUMBERS) 16224, 16245 & UP
 NUMEROS) DE SERIE EFFECTIFS)
 NUMEROS) DE SERIE EFFECTIVOS)
 U.S. 2021-2 & UP

700 SERIES
 SERIE 700

SECTION 1 PAGE 3
 SECCION 1 PAGINA 3

ISSUE No.
 N° D'ÉMISSION
 N° DE EDICION 1

USE ONLY CHAMPION APPROVED PARTS



SECTION 1		PAGE 4		ISSUE No. N° D'ÉMISSION 1 N° DE EDICION		FRONT AXLE - ALL WHEEL DRIVE				OCTOBER 1984	
No. N° N°	PART No. N° DE PIÉCE N° DE PIEZA	DESCRIPTION DÉSCRIPTION DESCRIPCION	No. REQ. N° REQ. N° REQ.	REMARKS REMARQUES NOTAS	No. N° N°	PART No. N° DE PIÉCE N° DE PIEZA	DESCRIPTION DÉSCRIPTION DESCRIPCION	No. REQ. N° REQ. N° REQ.	REMARKS REMARQUES NOTAS		
1	708	WHEEL STUD	30		46	12A-247	O RING	2			
2	709	RIM CLAMP	30		47	13A-0836	COTTER PIN	4			
3	710	NUT	30		48	13C-0509	ROLL PIN	4			
4	13J-0816	ROLL PIN	2		49	13C-0515	ROLL PIN	4			
5	11999	BOLT	7		50	14A-06	LOCKWASHER	14			
6	15358	EXPANSION PLUG	2		51	14A-08	LOCKWASHER	A.R.			
7	16507	EXPANSION PLUG	4		52	14A-10	LOCKWASHER	16			
8	18348	WASHER	2		53	14A-12	LOCKWASHER	20			
9	19629	BEARING	2		54	14D-18	FLATWASHER	4			
10	19633	BEARING	2		55	19C-137	SNAP RING	2			
11	24207	BEARING PIN	2		56	19B-218	SNAP RING	2			
12	24210	BEARING	6		57	29A-02	GREASE FITTING	A.R.			
13	30522	BEARING PIN	4		58	29B-02	GREASE FITTING	A.R.			
14	30526	BEARING CAP	2		59	30A-12	NUT	20			
15	30527	PIVOT PIN	2		60	31D-28	JAM NUT	1			
16	30528	TIE BAR	1		61	31L-18	CASTLE NUT	4			
17	30532	KING PIN	4		62	50A-0606	BOLT	6			
18	30555	FRONT WHEEL	2		63	50A-0608	BOLT	8			
19	30556	FLANGE	2		64	50A-0826	BOLT	A.R.			
20	30557	SHIM	6		65	50A-1012	BOLT	16			
21	30560	THRUST PACK	2		66	50A-1226	BOLT	20			
22	30561	BEARING	4		67	70B-0808	SET SCREW	6			
23	30562	BUSHING	4								
24	30563	THRUST WASHER	8		68		STEERING CYLINDER & CIRCUIT - ALL WHEEL DRIVE	REF.	SECTION 1 PAGE 15/16		
25	30586	KNUCKLE - R.H.	1								
26	30587	KNUCKLE - L.H.	1								
27	30590	FRONT AXLE	1		69		LEANING WHEEL CYLINDER & CIRCUIT - ALL WHEEL DRIVE	REF.	SECTION 1 PAGE 19/20		
28	30593	WASHER	2								
29	30594	BUSHING	4								
30	30697	SEAL	4		70		PLANETARY REDUCTION UNIT - ALL WHEEL DRIVE	REF.	SECTION 1 PAGE 5/6		
31	30730	ANCHOR PIN	2								
32	30731	BEARING	2								
33	30955	JAM NUT - L.H.	1								
34	35207	CAP	1								
35	35208	SHIM - .010"	A.R.								
36	35209	SHIM - .005"	A.R.								
37	36235	HUB RING - L.H.	1								
38	36236	HUB RING - R.H.	1								
39	36241	YOKE - L.H.	1								
40	36242	YOKE - R.H.	1								
41	36243	PIVOT BLOCK	2								
42	36244	PIN	2								
43	36245	PIVOT PIN	2								
44	36246	DRAG LINK	1								
45	36261	BUSHING	4								

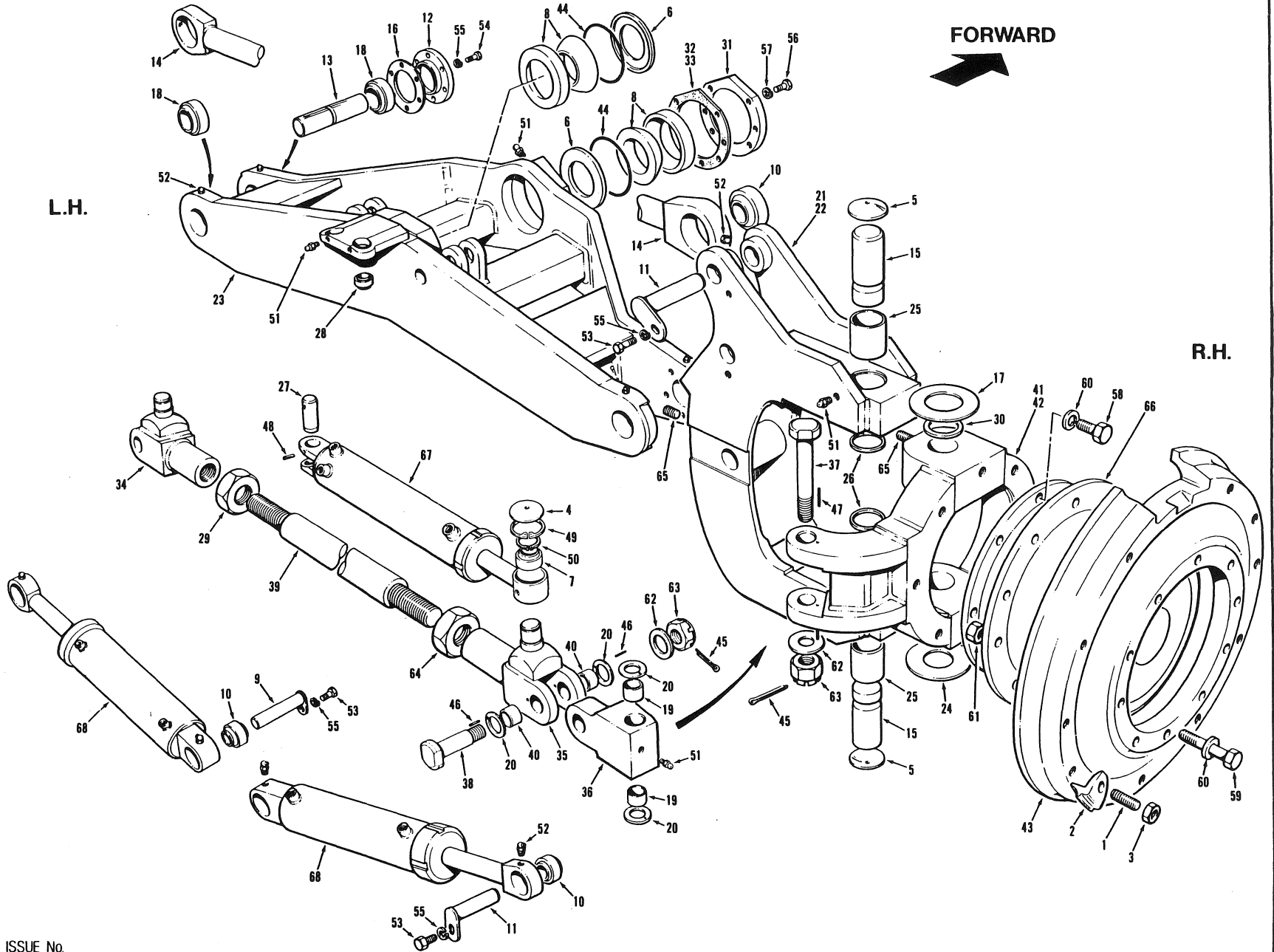
CHAMPION ROAD MACHINERY

FORWARD



L.H.

R.H.



EFFECTIVE SERIAL NUMBER(S) 16939 & UP
NUMEROS (S) DE SERIE EFFECTIF(S)
NUMEROS (S) DE SERIE EFECTIVOS)
U.S. 2419-2 & UP

700 SERIES
SERIE 700

SECTION

1

PAGE

3

ISSUE No.
N° D'ÉMISSION
N° DE EDICION 2 REVISION B

FRONT AXLE - ALL WHEEL DRIVE

FEBRUARY 1988

FOR LIST OF PARTS - TURN THIS PAGE

POUR LA LISTE DES PIÈCES - VOIR AU VERSO

PARA LA LISTA DE LAS PIEZAS - VER AL VERSO

USE ONLY CHAMPION ROAD MACHINERY APPROVED PARTS

SECTION SECCION 1		PAGE PAGINA 4	ISSUE No. N° D'ÉMISSION N° DE EDICION	2 REVISION B		FRONT AXLE - ALL WHEEL DRIVE				FEBRUARY 1988
No. N° N°	PART No. N° DE PIÈCE N° DE PIEZA	DESCRIPTION DÉSCRIPTION DESCRIPCION	No. REQ. N° REQ. N° REQ.	REMARKS REMARQUES NOTAS	No. N° N°	PART No. N° DE PIECE N° DE PIEZA	DESCRIPTION DÉSCRIPTION DESCRIPCION	No. REQ. N° REQ. N° REQ.	REMARKS REMARQUES NOTAS	
1	708	WHEEL STUD	22		44	12A-247	O RING	2		
2	709	RIM CLAMP	22		45	13A-0840	COTTER PIN	4		
3	710	NUT	22		46	*13C-0509	ROLL PIN	4		
4	15358	EXPANSION PLUG	2		47	*13C-0515	ROLL PIN	4		
5	16507	EXPANSION PLUG	4		48	13J-0816	ROLL PIN	2		
6	18348	WASHER	2		49	19B-218	SNAP RING - INTERNAL	2		
7	19629	BEARING	2		50	19C-137	SNAP RING - EXTERNAL	2		
8	19633	BEARING	2		51	*28A-04	GREASE FITTING	10		
9	24207	BEARING PIN	2		52	*28B-04	GREASE FITTING	8		
10	24210	BEARING	6		53	50A-0606	BOLT	6		
11	30522	BEARING PIN	4		54	50A-0608	BOLT	8		
12	30526	BEARING CAP	2		55	14A-06	LOCKWASHER	14		
13	30527	PIVOT PIN	2		56	50AA-0814	BOLT	7		
14	30528	TIE BAR	1		57	14A-08	LOCKWASHER	7		
15	30532	KING PIN	4		58	50A-1012	BOLT	16		
16	30557	SHIM	6		59	50A-1028	BOLT	20		
17	30560	THRUST PACK	2		60	14A-10	LOCKWASHER	36		
18	30561	BEARING	4		61	30A-10	NUT	20		
19	30562	BUSHING	4		62	14D-18	FLATWASHER	4		
20	30563	THRUST WASHER	8		63	31L-18	CASTLE NUT	4		
21	*46738	KNUCKLE - R.H. & L.H.	2	SERIAL NO. 17040, 17051 & UP.	64	31D-28	JAM NUT	1		
					65	70B-0808	SET SCREW	6		
22	30587	KNUCKLE - L.H. ONLY	1	TO SERIAL NO. 17028	66		PLANETARY REDUCTION UNIT - ALL WHEEL DRIVE	REF.	SECTION 1 PAGE 5/6	
23	*46725	FRONT AXLE	1		67		STEERING CYLINDER & CIRCUIT - ALL WHEEL DRIVE	REF.	SECTION 1 PAGE 15/16	
24	30593	WASHER	2							
25	30594	BUSHING	4							
26	30697	SEAL	4		68		LEANING WHEEL CYLINDER & CIRCUIT - ALL WHEEL DRIVE	REF.	SECTION 1 PAGE 19/20	
27	30730	ANCHOR PIN	2							
28	30731	BEARING	2							
29	30955	JAM NUT	1							
30	30961	SPACER	2							
31	35207	CAP	1							
32	35208	SHIM - .010"	5							
33	35209	SHIM - .005"	5							
34	36241	YOKE - L.H.	1							
35	36242	YOKE - R.H.	1							
36	*46734	PIVOT BLOCK	2							
37	36244	PIN	2							
38	36245	PIVOT PIN	2							
39	36246	DRAG LINK	1							
40	36261	BUSHING	4							
41	41411	HUB RING - L.H.	1							
42	41412	HUB RING - R.H.	1							
43	42081	FRONT WHEEL	2							

CHAMPION ROAD MACHINERY

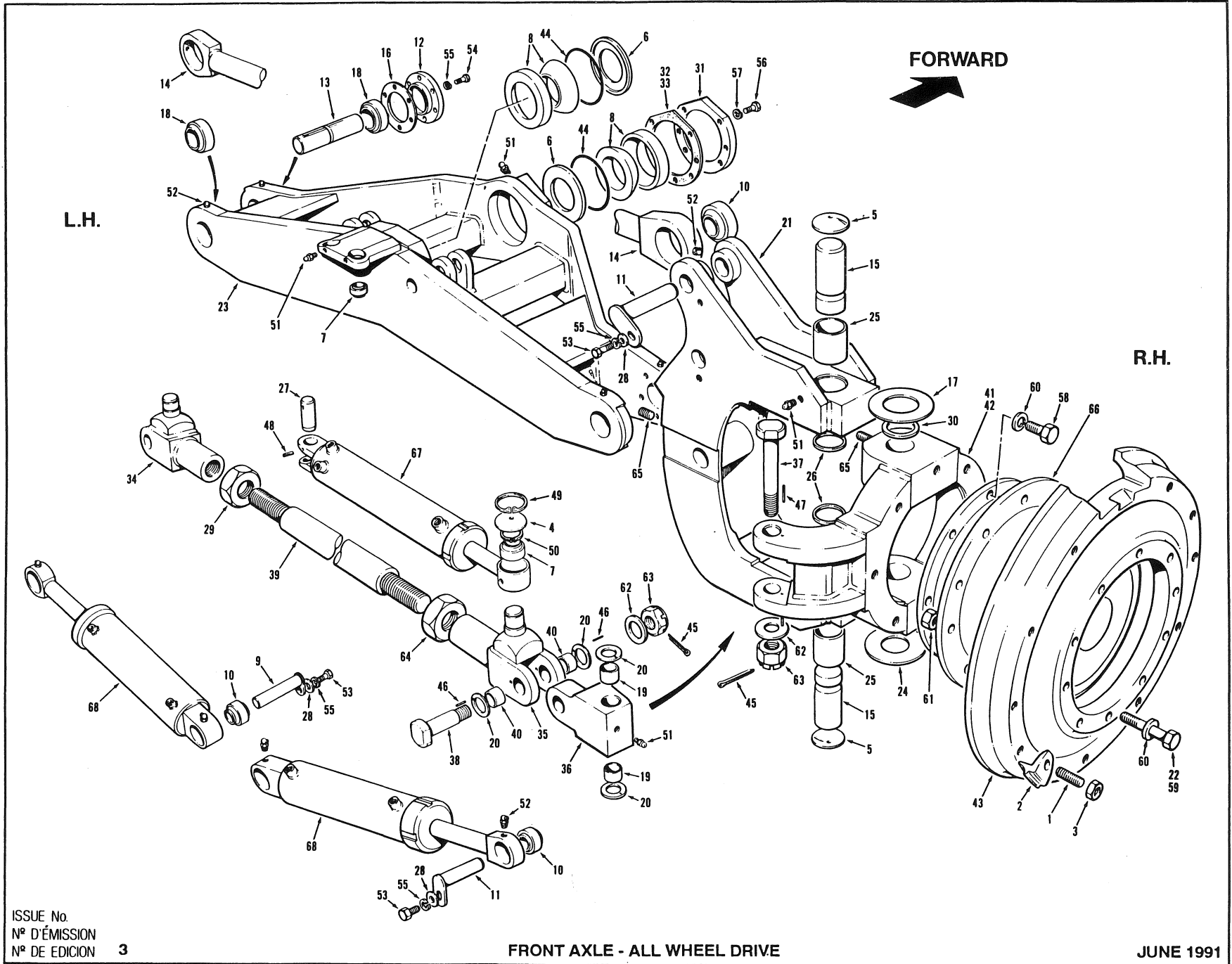
EFFECTIVE SERIAL NUMBERS) 21398 & UP
 NUMEROS) DE SÉRIE EFFECTIFS) EXCLUIND 21405, 21406,
 NUMEROS) DE SÉRIE EFFECTIVOS) 21419 & 21420

700 SERIES
 SERIE 700

SECTION 1

PAGE 3

3



FRONT AXLE - ALL WHEEL DRIVE

JUNE 1991

FOR LIST OF PARTS - TURN THIS PAGE

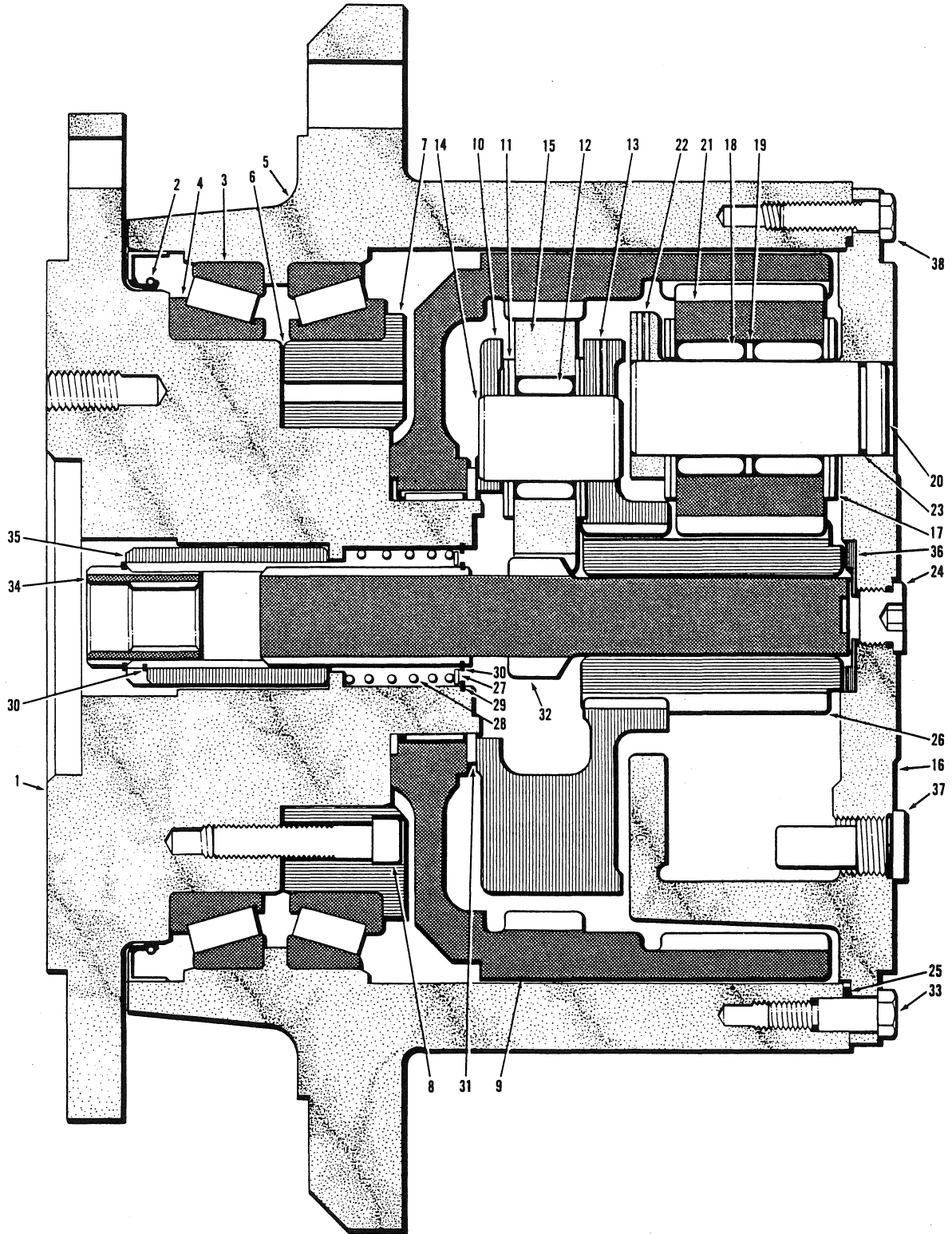
POUR LA LISTE DES PIÈCES - VOIR AU VERSO

PARA LA LISTA DE LAS PIEZAS - VER AL VERSO

USE ONLY CHAMPION ROAD MACHINERY APPROVED PARTS

SECTION SECCION		1		PAGE PAGINA		4		ISSUE No. N° D'ÉMISSION N° DE EDICION		3		FRONT AXLE - ALL WHEEL DRIVE				JUNE 1991	
No. N° N°	PART No. N° DE PIÈCE N° DE PIEZA	DESCRIPTION DESCRIPTION DESCRIPCION		No. REQ. N° REQ. N° REQ.	REMARKS REMARQUES NOTAS	No. N° N°	PART No. N° DE PIECE N° DE PIEZA	DESCRIPTION DESCRIPTION DESCRIPCION		No. REQ. N° REQ. N° REQ.	REMARKS REMARQUES NOTAS						
1	708	WHEEL STUD		22		44	12A-247	O-RING		2							
2	709	RIM CLAMP		22		45	13A-0840	COTTER PIN		4							
3	710	NUT		22		46	13C-0509	ROLL PIN		4							
4	*58094	EXPANSION PLUG		2		47	13C-0515	ROLL PIN		4							
5	16507	EXPANSION PLUG		4		48	13J-0816	ROLL PIN		2							
6	18348	WASHER		2		49	*19B-244	SNAP RING - INTERNAL		2							
7	19629	BEARING		2		50	19C-137	SNAP RING - EXTERNAL		2							
8	19633	BEARING		2		51	28A-04	GREASE FITTING		10							
9	*48497	BEARING PIN		2		52	28B-04	GREASE FITTING		8							
10	24210	BEARING		6		53	50A-0608	BOLT		6							
11	30522	BEARING PIN		4		54	50A-0608	BOLT		8							
12	30526	BEARING CAP		2		55	14A-06	LOCKWASHER		14							
13	30527	PIVOT PIN		2		56	*50A-0814	BOLT		7							
14	30528	TIE BAR		1		57	14A-08	LOCKWASHER		7							
15	30532	KING PIN		4		58	50A-1012	BOLT		18							
16	30557	SHIM		6		59	50A-1028	BOLT		20	DUAL BRAKE						
17	30560	THRUST PACK		2		60	14A-10	LOCKWASHER		38							
18	30561	BEARING		4		61	30A-10	NUT		20							
19	30562	BUSHING		4		62	14D-18	FLATWASHER		4							
20	30563	THRUST WASHER		8		63	31L-18	CASTLE NUT		4							
21	46738	KNUCKLE - R.H. & L.H.		2		64	31D-28	JAM NUT		1							
22	*50A-1020	BOLT		20	Oil Disc Brakes	65	70B-0808	SET SCREW		6							
23	*48510	FRONT AXLE		1		66		PLANETARY REDUCTION UNIT - A.W.D.		REF.	Sect.1 Pg 5						
24	30593	WASHER		2		67		STEERING CYLINDER & CIRCUIT - A.W.D.		REF.	Sect 1 Pg 15						
25	30594	BUSHING		4		68		LEANING WHEEL CYLINDER & CIRCUIT - A.W.D.		REF.	Sect 1 Pg 19						
26	30697	SEAL		4													
27	*12911	ANCHOR PIN		2													
28	*14C-08	FLATWASHER		6													
29	30955	JAM NUT		1													
30	30961	SPACER		2													
31	35207	CAP		1													
32	35208	SHIM - .010"		5													
33	35209	SHIM - .005"		5													
34	36241	YOKE - L.H.		1													
35	36242	YOKE - R.H.		1													
36	46734	PIVOT BLOCK		2													
37	36244	PIN		2													
38	36245	PIVOT PIN		2													
39	36246	DRAG LINK		1													
40	36261	BUSHING		4													
41	41411	HUB RING - L.H.		1													
42	41412	HUB RING - R.H.		1													
43	42081	FRONT WHEEL		2													

CHAMPION ROAD MACHINERY



OCTOBER 1984

PLANETARY REDUCTION UNIT - ALL WHEEL DRIVE

PARA LA LISTA DE LAS PIEZAS - VFR AL VERSO

POUR LA LISTE DES PIÈCES - VOIR AU VERSO

FOR LIST OF PARTS - TURN THIS PAGE

ISSUE No.
N° D'ÉMISSION
N° DE EDICION 1

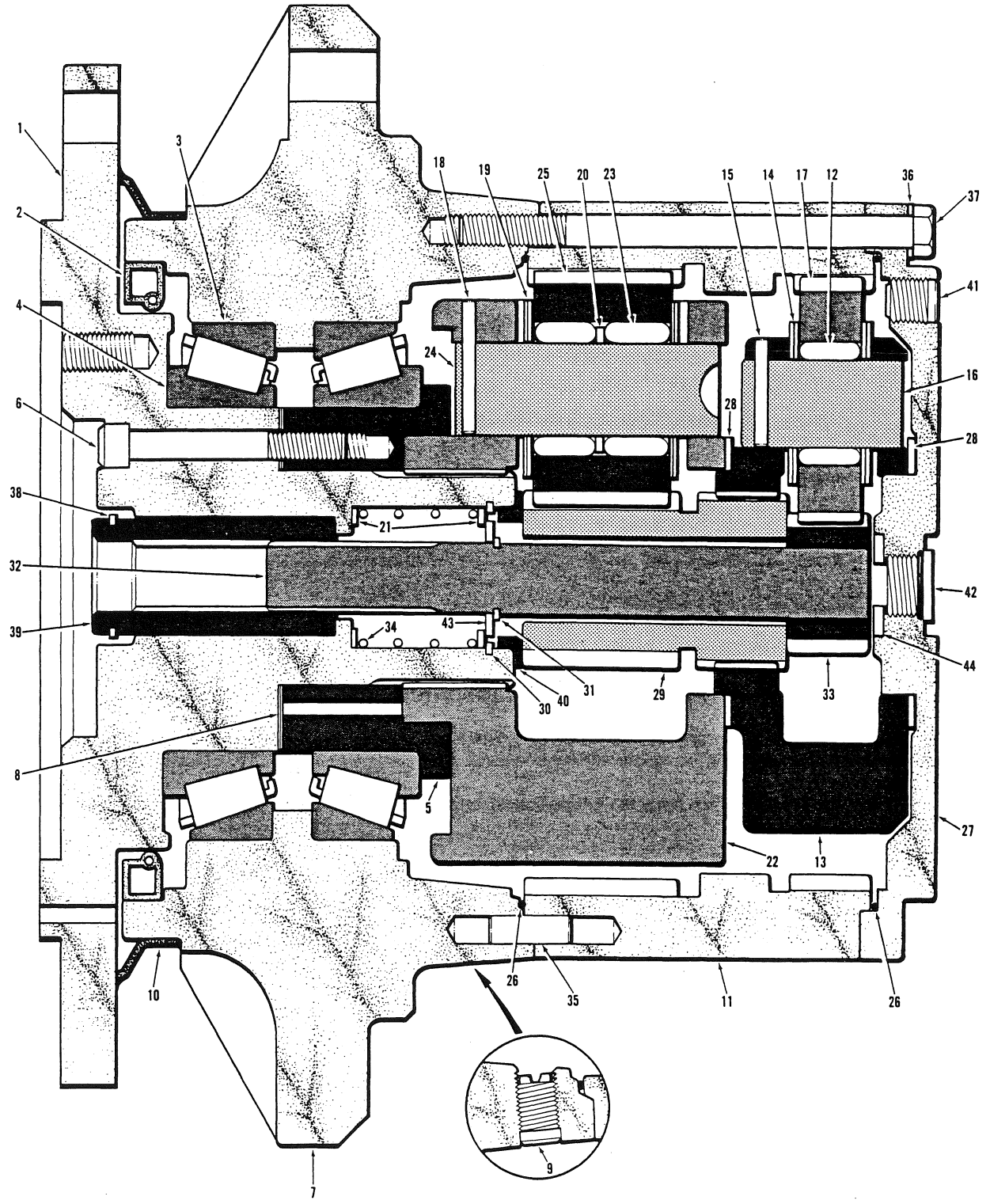
EFFECTIVE SERIAL NUMBER(S) 16224,16245 & UP
 NUMERO(S) DE SÉRIE EFFECTIF(S)
 NUMERO(S) DE SERIE EFECTIVO(S)
 U.S. 2021-2 & UP

700 SERIES
 SERIE 700

SECTION SECCION	1	PAGE PAGINA	5
--------------------	---	----------------	---

SECTION SECCION		PAGE PAGINA		ISSUE No. N° D'ÉMISSION N° DE EDICION		PLANETARY REDUCTION UNIT - ALL WHEEL DRIVE				OCTOBER 1984	
No. N° N°	PART No. N° DE PIÈCE N° DE PIEZA	DESCRIPTION DESCRIPTION DESCRIPCION	No. REQ. N° REQ. N° REQ.	REMARKS REMARQUES NOTAS	No. N° N°	PART No. N° DE PIÈCE N° DE PIEZA	DESCRIPTION DESCRIPTION DESCRIPCION	No. REQ. N° REQ. N° REQ.	REMARKS REMARQUES NOTAS		
	30719	PLANETARY REDUCTION UNIT - INCLUDES ITEMS 1 TO 38	2								
	30842	HUB & SPINDLE ASSEMBLY - INCLUDES ITEMS 1 TO 8	1								
1	30843	SPINDLE	1								
2	30844	SEAL	1								
3	30845	CUP	2								
4	30846	CONE	2								
5	30847	HUB	1								
6	30848	SHIM SET	1								
7	30849	BEARING CARRIER	1								
8	30850	CAPSCREW	12								
9	30851	INTERNAL GEAR	1								
	30852	INPUT CARRIER ASSY. - INCLUDES ITEMS 10 TO 15	1								
10	30853	INPUT CARRIER	1								
11	30854	THRUST WASHER	12								
12	30855	NEEDLE BEARING	57								
13	30856	DOWEL PIN	3								
14	30857	SHAFT	3								
15	30858	GEAR	3								
	30859	OUTPUT CARRIER ASSY. - INCLUDES ITEMS 16 TO 24	1								
16	30860	OUTPUT CARRIER	1								
17	30861	THRUST WASHER	12								
18	30862	NEEDLE BEARING	108								
19	30863	SPACER	3								
20	30864	SHAFT	3								
21	30865	GEAR	3								
22	30866	DOWEL PIN	3								
23	30867	O RING	3								
24	30868	PIPE PLUG	1								
25	30869	O RING	1								
26	30870	GEAR - 2nd STAGE	1								
27	30871	WASHER	1								
28	30872	SPRING	1								
29	30873	RETAINING RING	1								
30	30874	RETAINING RING	2								
31	30875	THRUST WASHER	1								
32	30876	INPUT GEAR	1								
33	30877	BOLT	4								
34	30878	ADAPTER	1								
35	30879	COUPLING	1								
36	30880	THRUST WASHER	1								
37	30899	PIPE PLUG - C/W DOWEL PIN	1								
38	50A-0610	BOLT	8								

CHAMPION ROAD MACHINERY



PLANETARY REDUCTION UNIT - ALL WHEEL DRIVE

FOR LIST OF PARTS - TURN THIS PAGE POUR LA LISTE DES PIÈCES - VOIR AU VERSO PARA LA LISTA DE LAS PIEZAS - VER AL VERSO

ISSUE No.
N° D'ÉMISSION
N° DE EDICION 2

EFFECTIVE SERIAL NUMBER(S)
NUMERO(S) DE SÉRIE EFFECTIF(S)
NUMERO(S) DE SÉRIE EFECTIVO(S)

16860 & UP EXCLUDING
NO'S 17054, 17057,
17147, 17128 & 17157

700 SERIES
SERIE 700

SECTION 1 PAGE 5
SECCION 1 PAGINA 5

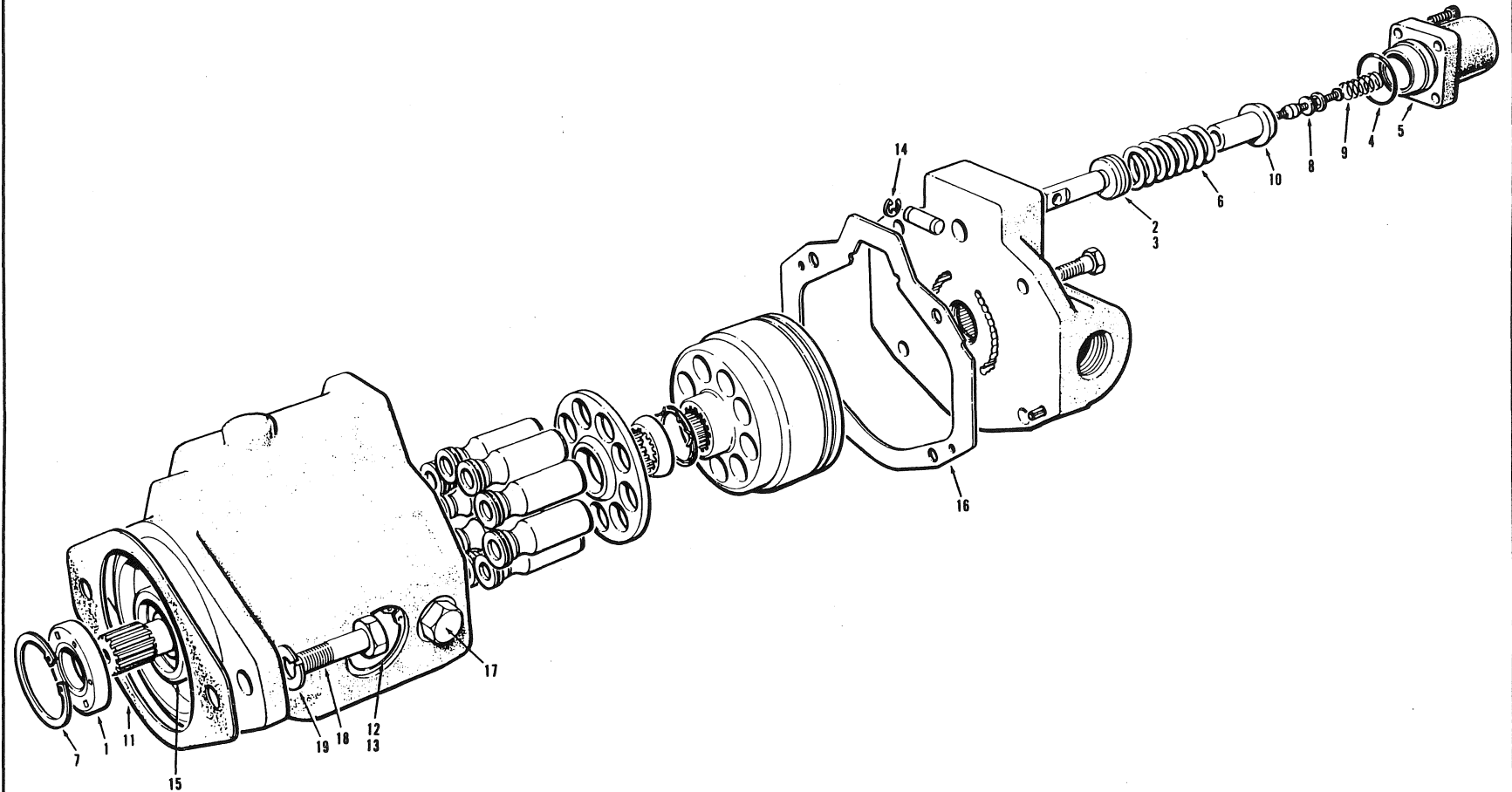
SECTION SECCION 1		PAGE PAGINA 6	ISSUE No. N° D'ÉMISSION 2 N° DE EDICION	PLANETARY REDUCTION UNIT - ALL WHEEL DRIVE				APRIL 1986	
No. N° N°	PART No. N° DE PIÉCE N° DE PIEZA	DESCRIPTION DÉSCRIPTION DESCRIPCION	No. REQ. N° REQ. N° REQ.	REMARKS REMARQUES NOTAS	No. N° N°	PART No. N° DE PIECE N° DE PIEZA	DESCRIPTION DÉSCRIPTION DESCRIPCION	No. REQ. N° REQ. N° REQ.	REMARKS REMARQUES NOTAS
	*42198	PLANETARY REDUCTION UNIT - INCLUDES ITEMS 1 TO 44	2						
	*44047	HUB & SPINDLE ASSEMBLY - INCLUDES ITEMS 1 TO 11	1						
1	*44058	SPINDLE	1						
2	*44059	SEAL	1						
3	*44060	CUP	2						
4	*44061	CONE	2						
5	*44062	BEARING CARRIER	1						
6	*44063	BOLT	8						
7	*44064	HUB	1						
8	*44065	SHIM SET	1						
9	*44066	MAGNETIC PLUG	2						
10	*44067	SEAL BOOT	1						
11	*44068	INTERNAL GEAR	1						
	*44048	INPUT CARRIER ASSY. - INCLUDES ITEMS 12 TO 17	1						
12	30855	NEEDLE BEARING	57						
13	*44069	INPUT CARRIER	1						
14	*44070	THRUST WASHER	12						
15	*44071	DOWEL PIN	3						
16	*44072	SHAFT	3						
17	*44073	GEAR	3						
	*44049	OUTPUT CARRIER ASSY. - INCLUDES ITEMS 18 TO 24	1						
18	30856	DOWEL PIN	3						
19	30861	THRUST WASHER	12						
20	30863	SPACER	3						
21	30871	WASHER	2						
22	*44074	OUTPUT CARRIER	1						
23	*44075	NEEDLE BEARING	108						
24	*44076	SHAFT	3						
25	*44077	GEAR	3						
26	*44078	O-RING	2						
27	*44079	COVER	1						
28	*44080	THRUST WASHER	2						
29	*44081	GEAR - 2nd STAGE	1						
30	*44082	RETAINING RING	1						
31	*44083	RETAINING RING	1						
32	*44084	INPUT SHAFT	1						
33	*44085	INPUT GEAR	1						
34	*44086	SPRING	1						
35	*44087	DOWEL PIN	2						
36	*44088	LOCKWASHER	20						
37	*44089	BOLT	20						
38	*44090	RETAINING RING	1						
39	*44091	COUPLING	1						
40	*44092	THRUST SPACER	1						
41	*44093	PIPE PLUG	2						
42	*44094	O-RING PIPE PLUG	1						
43	*44095	THRUST WASHER	1						
44	*44096	SPACER	1						

EFFECTIVE SERIAL NUMBER(S)
NUMEROS(S) DE SERIE EFFECTIFS
NUMEROS(S) DE SERIE EFFECTIVOS
U.S. 2021-2 TO 2658-2

16224, 16245 & UP

700 SERIES
SERIE 700

SECTION 1 PAGE 7
SECTION 1 PAGE 7
SECTION 1 PAGE 7



ISSUE No.
N° D'ÉMISSION
N° DE EDICION 1 REVISION A

WHEEL MOTOR ASSEMBLY - ALL WHEEL DRIVE

OCTOBER 1989

FOR LIST OF PARTS - TURN THIS PAGE

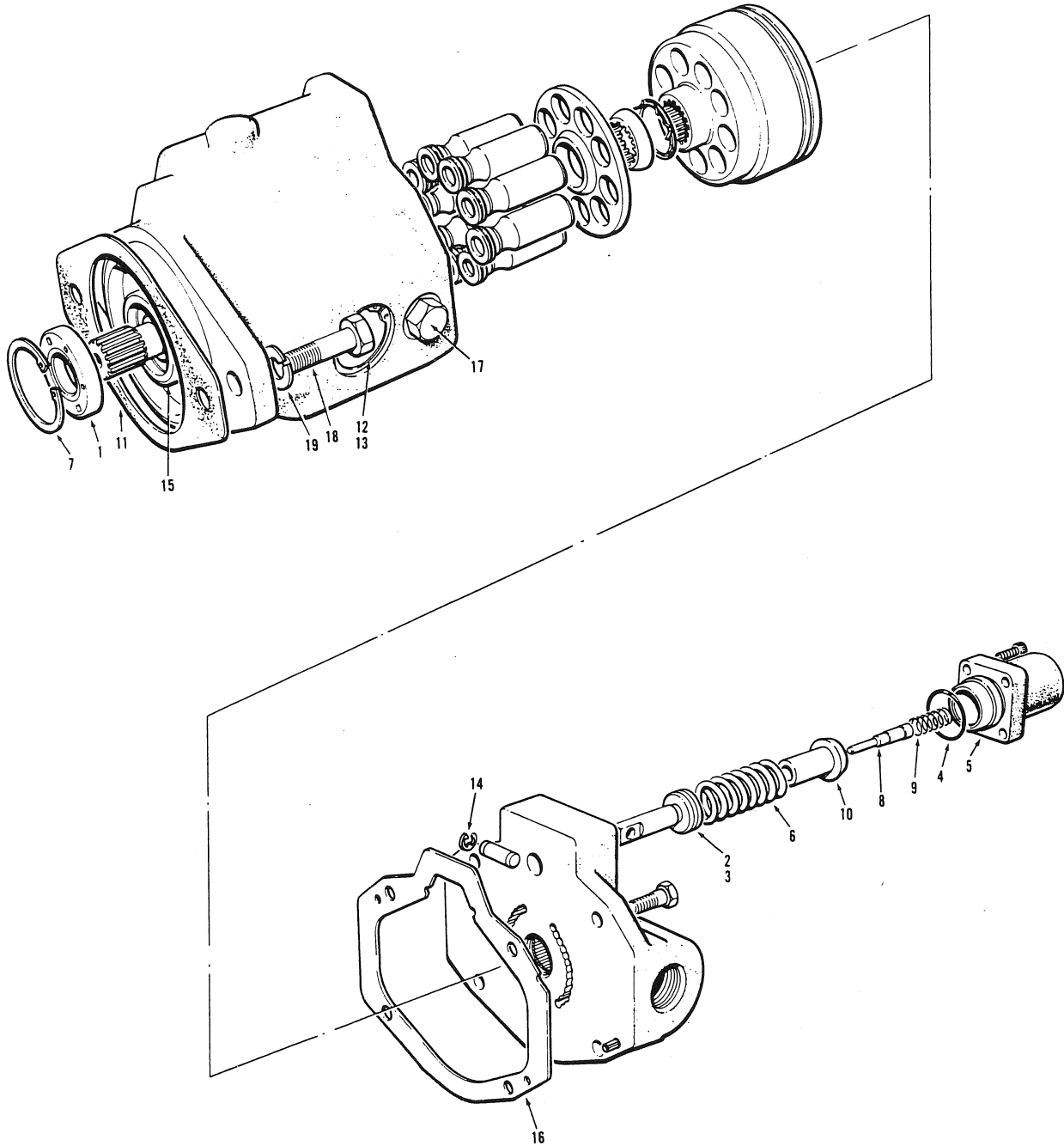
POUR LA LISTE DES PIÈCES - VOIR AU VERSO

PARA LA LISTA DE LAS PIEZAS - VFR AL VERSO

USE ONLY CHAMPION ROAD MACHINERY APPROVED PARTS

SECTION SECCION		PAGE PAGINA		ISSUE No. N° D'ÉMISSION N° DE EDICION		1 REVISION A		WHEEL MOTOR ASSEMBLY - ALL WHEEL DRIVE			OCTOBER 1989	
No. N° N°	PART No. N° DE PIÉCE N° DE PIEZA	DESCRIPTION DESCRIPTION DESCRIPCION	No. REQ. N° REQ. N° REQ.	REMARKS REMARQUES NOTAS	No. N° N°	PART No. N° DE PIÉCE N° DE PIEZA	DESCRIPTION DESCRIPTION DESCRIPCION	No. REQ. N° REQ. N° REQ.	REMARKS REMARQUES NOTAS			
	30702	WHEEL MOTOR ASSEMBLY	2									
1	30881	SHAFT SEAL	1									
2	30882	O RING	1									
3	30883	WIPER	1									
4	30884	O RING	1									
5	30885	HOUSING - STROKE PISTON	1									
6	30886	SPRING	1									
7	30887	RETAINING RING	1									
8	30888	POPPET ASSEMBLY - INCLUDES POPPET, SCREW & NUT	1									
9	30889	SPRING	1									
10	30890	STOP - STROKE PISTON	1									
11	30718	GASKET	2									
	*54953	REPAIR KIT C/W ITEMS 1, 2, 3, 7, 12 TO 16	1									
*12		O RING	2									
*13		RETAINING RING	2									
*14		RETAINING RING	2									
*15		RETAINING RING	1									
16	*54725	GASKET	1									
17	*54954	PLUG C/W O RING	1									
18	50A-0812	BOLT	4									
19	14A-08	LOCKWASHER	4									

CHAMPION ROAD MACHINERY



FEBRUARY 1991

WHEEL MOTOR ASSEMBLY - ALL WHEEL DRIVE

FOR LIST OF PARTS - TURN THIS PAGE POUR LA LISTE DES PIÈCES - VOIR AU VERSO PARA LA LISTA DE LAS PIEZAS - VER AL VERSO

ISSUE No.
N° D'ÉMISSION
N° DE EDICION 2

EFFECTIVE SERIAL NUMBER(S) 16860 & UP
 NUMERO(S) DE SÉRIE EFFECTIF(S) EXCLUDING 17054, 17057,
 NUMERO(S) DE SERIE EFECTIVO(S) 17128, 17147 & 17157

700 SERIES
SERIE 700

SECTION 1

PAGE 7

SECTION
SECCION

1

PAGE
PAGINA

8

ISSUE No.
N° D'ÉMISSION
N° DE EDICION

2

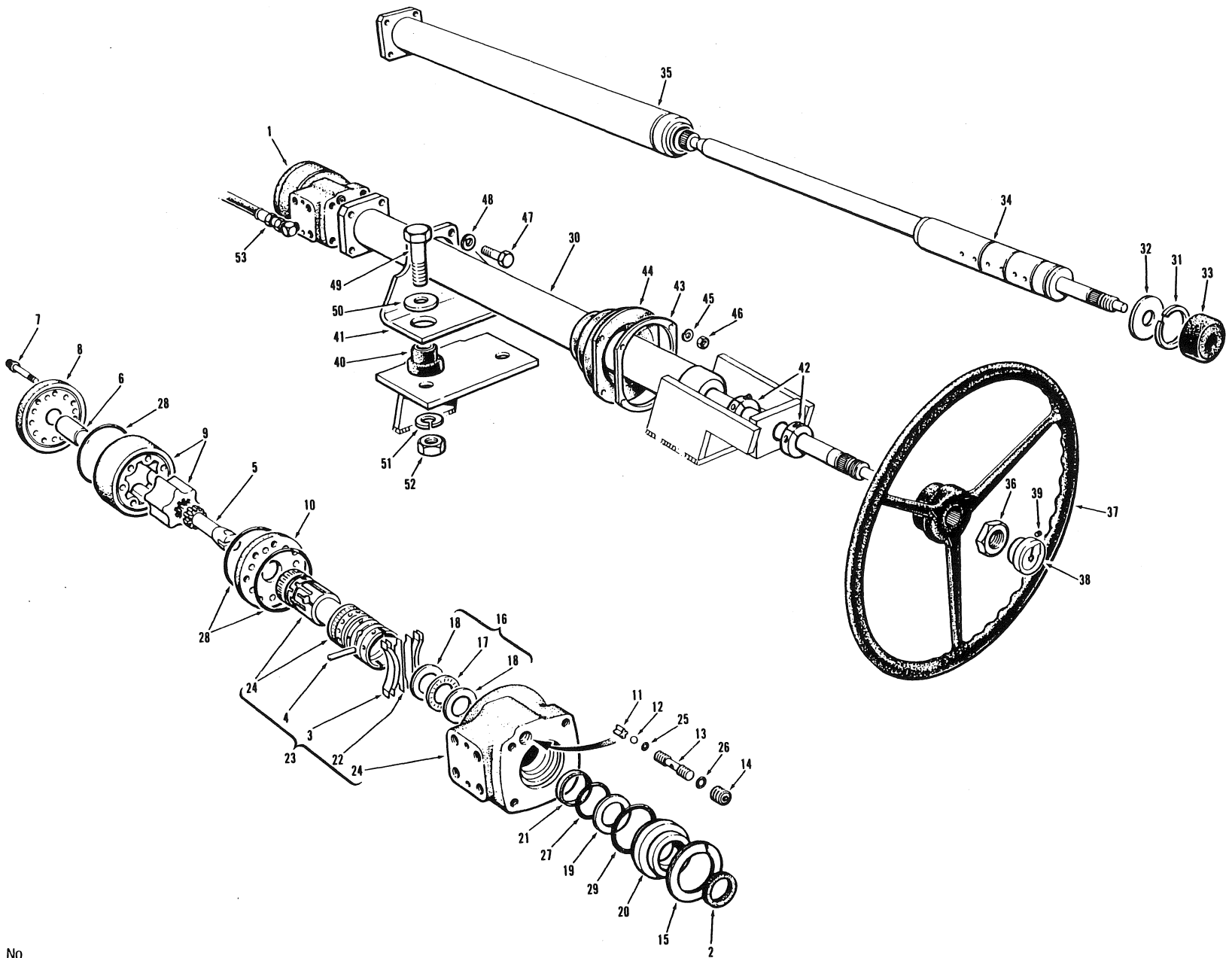
WHEEL MOTOR ASSEMBLY - ALL WHEEL DRIVE

FEBRUARY 1991

No. N° N°	PART No. N° DE PIÈCE N° DE PIEZA	DESCRIPTION DÉSCRIPTION DESCRIPCION	No. REQ. N° REQ. N° REQ.	REMARKS REMARQUES NOTAS	No. N° N°	PART No. N° DE PIÈCE N° DE PIEZA	DESCRIPTION DÉSCRIPTION DESCRIPCION	No. REQ. N° REQ. N° REQ.	REMARKS REMARQUES NOTAS
	*59306	WHEEL MOTOR ASSEMBLY	2						
	54953	REPAIR KIT FOR 59306 - WHEEL MOTOR ASSEMBLY - INCLUDES ITEMS 1, 2, 3, 7, 12 to 16	1 per 1						
1	30881	SHAFT SEAL	1						
2	30882	O-RING	1						
3	30883	WIPER	1						
4	30884	O-RING	1						
5	30885	HOUSING - STROKE PISTON	1						
6	30886	SPRING	1						
7	30887	RETAINING RING	1						
8	*58859	POPPET ASSEMBLY	1						
9	30889	SPRING	1						
10	30890	STOP - STROKE PISTON	1						
11	30718	GASKET	2						
12		O-RING	2						
13		RETAINING RING	2						
14		RETAINING RING	2						
15		RETAINING RING	1						
16	54725	GASKET	1						
17	54954	PLUG C/W O-RING	1						
18	50A-0812	BOLT	4						
19	14A-08	LOCKWASHER	4						

SECTION SECCION 1		PAGE PAGINA 10		ISSUE No. N° D'ÉMISSION 1 N° DE EDICION 1		STEERING UNIT & COLUMN			OCTOBER 1984	
No. N° N°	PART No. N° DE PIÈCE N° DE PIEZA	DESCRIPTION DÉSCRIPTION DESCRIPCION	No. REQ. N° REQ. N° REQ.	REMARKS REMARQUES NOTAS	No. N° N°	PART No. N° DE PIECE N° DE PIEZA	DESCRIPTION DÉSCRIPTION DESCRIPCION	No. REQ. N° REQ. N° REQ.	REMARKS REMARQUES NOTAS	
<u>STEERING UNIT</u>					<u>STEERING COLUMN</u>					
1	26216	STEERING CONTROL UNIT ASSY. - INCLUDES ITEMS 2 TO 26	1		27	28649	STEERING COLUMN ASSY. - INCLUDES ITEMS 28 TO 32	1		
2	15278	OIL SEAL	1		28	26211	RETAINING RING	1		
3	15280	QUAD RING SEAL	1		29	26212	THRUST WASHER	1		
4	15288	CENTERING SPRING	6		30	26215	DUST CAP	1		
5	15294	PIN	1		31		SHAFT ASSY. } SUPPLIED ONLY	1		
6	15295	DRIVE	1		32		TUBE FLANGE/BEARING ASSY. } WITH ITEM 27	1		
7	15298	SPACER	1		33	12406	NUT	1		
8	15301	CAPSCREW	7		34	12890	STEERING WHEEL	1		
9	26217	END CAP	1		35	28831	BRASS KNOB	1		
10	26218	GEAR SET	1		36	72E-0808	SETScrew	1		
11	26219	SPACER PLATE	1							
12	26220	CONTROL ASSY. - INCLUDES ITEMS 4,5 & 13	1							
13		HOUSING } MATCHED SET- CONTROL SLEEVE } SUPPLIED ONLY CONTROL SPOOL } WITH ITEM 12	1							
14	26221	CHECK BALL RETAINER	1		37	12375	RUBBER MOUNT	2		
15	26222	CHECK BALL	1		38	17696	MOUNTING BRACKET	1		
16	26223	CHECK BALL SEAT	1		39	28668	CLAMPING COLLAR	2		
17	26224	SET SCREW	1		40	28894	FLANGE	1		
18	26225	SEAL GLAND BUSHING	1		41	28913	BOOT	1		
19	26226	RETAINING RING	1		42	14A-04	LOCKWASHER	4		
20	26227	NEEDLE BEARING KIT- C/W ITEMS 21 & 22	1		43	30A-04	NUT	4		
21		NEEDLE THRUST BEARING } SUPPLIED ONLY BEARING RACE } WITH ITEM 20	1		44	50A-0610	BOLT	4		
22			2		45	14A-06	LOCKWASHER	4		
23	12A-011	O RING	1		46	50A-1018	BOLT	2		
24	12A-110	O RING	1		47	14C-10	FLATWASHER	2		
25	12A-040	O RING	3		48	14A-10	LOCKWASHER	2		
26	12A-225	O RING	1		49	30A-10	NUT	2		
	26228	SEAL KIT - INCLUDES ITEMS 2,3 & 23 TO 26			50		STEERING CYLINDER & CIRCUIT	REF.	SECTION 1 PAGES 11, 13 & 15	

CHAMPION ROAD MACHINERY



EFFECTIVE SERIAL NUMBERS)
 NUMEROSI DE SERIE EFFECTIVIS)
 NUMEROSI DE SERIE EFFECTIVOS)

16678 & UP

700 SERIES
 SERIE 700

SECTION 1 PAGE 9
 SECCION 1 PAGINA 9

ISSUE No.
 N° D'ÉMISSION
 N° DE EDICION 2 REVISION A

STEERING UNIT & COLUMN

SEPTEMBER 1987

FOR LIST OF PARTS - TURN THIS PAGE

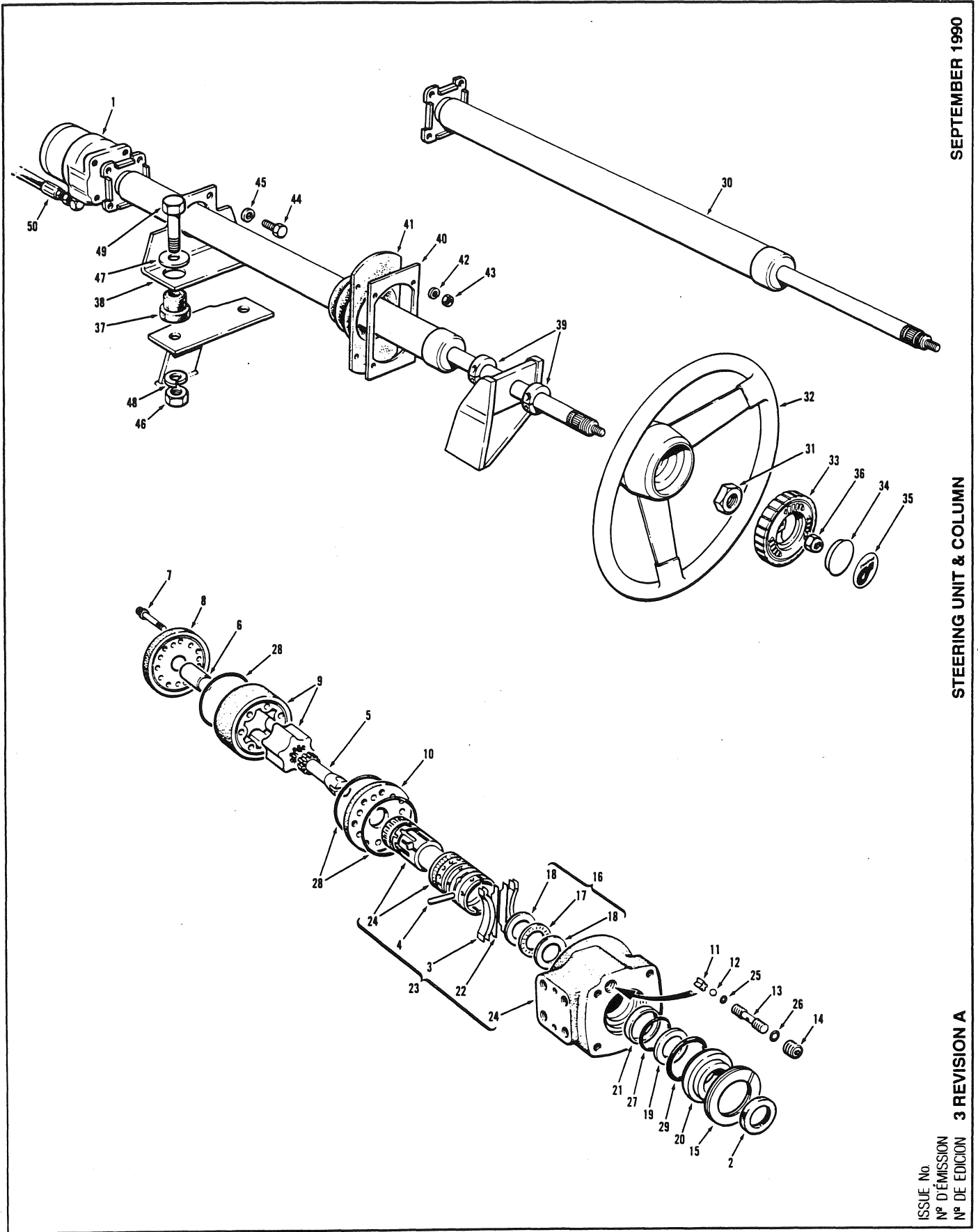
POUR LA LISTE DES PIÈCES - VOIR AU VERSO

PARA LA LISTA DE LAS PIEZAS - VER AL VERSO

USE ONLY CHAMPION ROAD MACHINERY APPROVED PARTS

SECTION SECCION		PAGE PAGINA		ISSUE No. N° D'ÉMISSION N° DE EDICION		2 REVISION A			STEERING UNIT & COLUMN			SEPTEMBER 1987	
No. N° N°	PART No. N° DE PIÉCE N° DE PIEZA	DESCRIPTION DÉSCRIPTION DESCRIPCION		No. REQ. N° REQ. N° REQ.	REMARKS REMARQUES NOTAS	No. N° N°	PART No. N° DE PIÉCE N° DE PIEZA	DESCRIPTION DÉSCRIPTION DESCRIPCION	No. REQ. N° REQ. N° REQ.	REMARKS REMARQUES NOTAS			
1	42287	STEERING CONTROL UNIT ASSY. - INCLUDES ITEMS 2 TO 29						<u>STEERING COLUMN</u>					
2	15278	OIL SEAL		1		30	28649	STEERING COLUMN ASSEMBLY - INCLUDES ITEMS 31 TO 39	1				
3	*15288	CENTERING SPRING		6		31	26211	RETAINING RING	1				
4	15294	PIN		1		32	26212	THRUST WASHER	1				
5	15295	DRIVE		1		33	26215	DUST CAP	1				
6	15298	SPACER		1		34		SHAFT ASSY. } SUPPLIED ONLY	1				
7	15301	CAPSCREW		7		35		TUBE FLANGE/BEARING ASSY. } WITH ITEM 30	1				
8	26217	END CAP		1		36	12406	NUT	1				
9	26218	GEAR SET		1		37	12890	STEERING WHEEL	1				
10	26219	SPACER PLATE		1		38	28831	BRASS KNOB	1				
11	26221	CHECK BALL RETAINER		1		39	72E-0808	SETSCREW	1				
12	26222	CHECK BALL		1				<u>STEERING INSTALLATION</u>					
13	26223	CHECK BALL SEAT		1		40	12375	RUBBER MOUNT	2				
14	26224	SET SCREW		1		41	17696	MOUNTING BRACKET	1				
15	26226	RETAINING RING		2		42	28668	CLAMPING COLLAR	2				
16	26227	NEEDLE BEARING KIT - INCLUDES ITEMS 17 & 18		1		43	28894	FLANGE	1				
17		NEEDLE THRUST BEARING } SUPPLIED ONLY		1		44	28913	BOOT	1				
18		BEARING RACE } WITH ITEM 16		2		45	14A-04	LOCKWASHER	4				
19	42283	BACKUP RING		1		46	30A-04	NUT	4				
20	42284	SEAL GLAND BUSHING		1		47	50A-0610	BOLT	4				
21	42285	SEAL		1		48	14A-06	LOCKWASHER	4				
22	42286	SPACER SPRING		2		49	50A-1018	BOLT	2				
23	42288	CONTROL ASSEMBLY - INCLUDES ITEMS 3, 4, 22 & 24		1		50	14C-10	FLATWASHER	2				
24		HOUSING } MATCHED SET -				51	14A-10	LOCKWASHER	2				
		CONTROL SLEEVE } SUPPLIED ONLY		1		52	30A-10	NUT	2				
		CONTROL SPOOL } WITH ITEM 23						<u>STEERING CYLINDER & CIRCUIT</u>					
25	12A-011	O RING		1		53							
26	12A-110	O RING		1									
27	12A-122	O RING		1									
28	12A-040	O RING		3									
29	12A-225	O RING		1									
	42282	SEAL KIT - INCLUDES ITEMS 2, 19, 21, 25 TO 29											
	*45415	SPRING KIT - INCLUDES ITEMS 3 & 22		A.R.									

SECT. 1
PAGES 11,
13 & 15



SEPTEMBER 1990

STEERING UNIT & COLUMN

FOR LIST OF PARTS - TURN THIS PAGE
 POUR LA LISTE DES PIÈCES - VOIR AU VERSO
 PARA LA LISTA DE LAS PIEZAS - VER AL VERSO

3 REVISION A

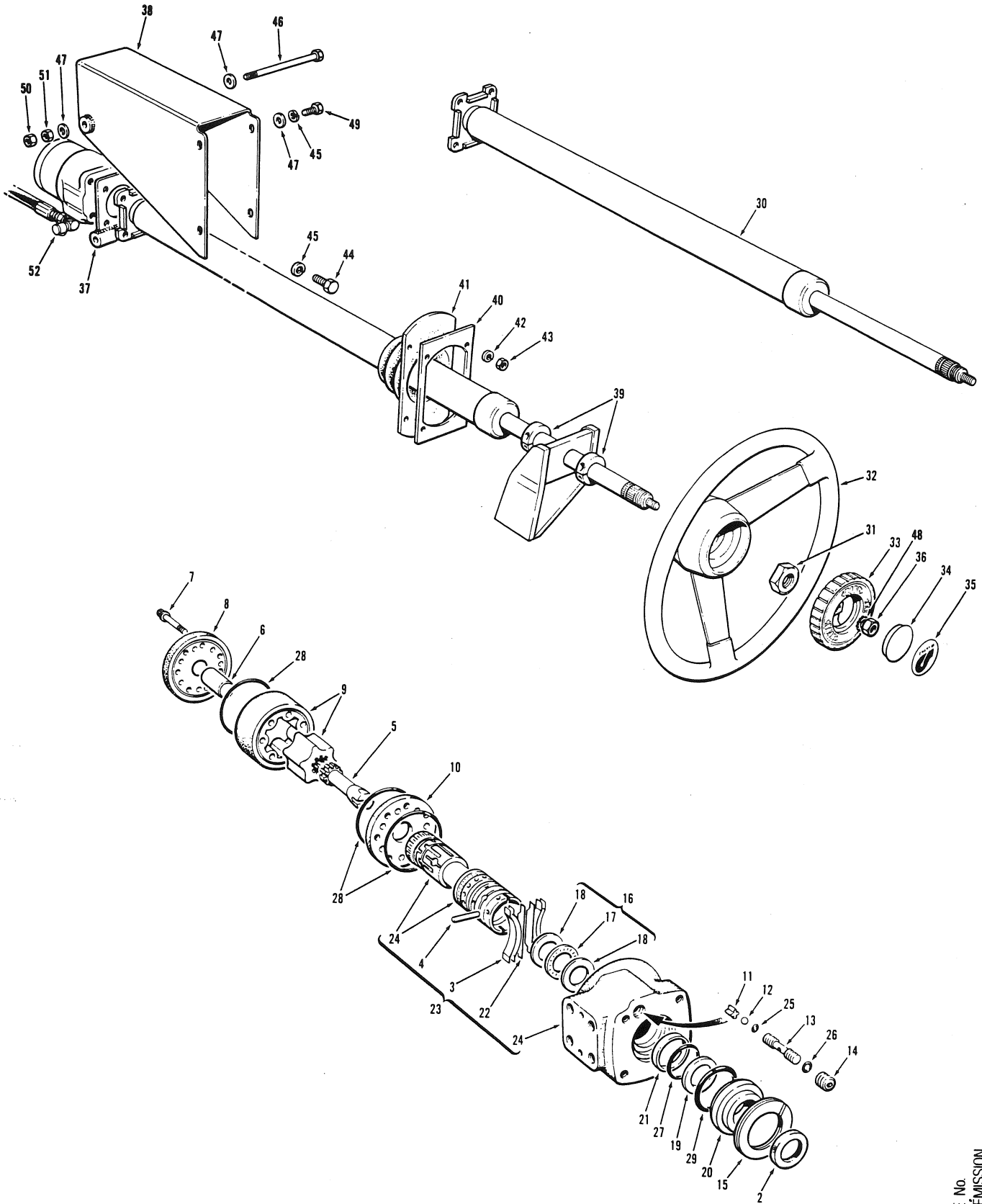
ISSUE No.
 N° D'ÉMISSION
 N° DE EDICION

EFFECTIVE SERIAL NUMBER(S) 18763 TO 18768, 18770,
 NUMERO(S) DE SÉRIE EFFECTIF(S) 18783 & UP
 NUMERO(S) DE SERIE EFECTIVO(S)

700 SERIES
 SERIE 700

SECTION 1 PAGE 9
 SECCION 1 PAGINA 9

SECTION SECCION		PAGE PAGINA		ISSUE No. N° D'ÉMISSION N° DE EDICION		3 REVISION A		STEERING UNIT & COLUMN			SEPTEMBER 1990	
No. N° N°	PART No. N° DE PIÈCE N° DE PIEZA	DESCRIPTION DÉSCRIPTION DESCRIPCION	No. REQ. N° REQ. N° REQ.	REMARKS REMARQUES NOTAS	No. N° N°	PART No. N° DE PIECE N° DE PIEZA	DESCRIPTION DÉSCRIPTION DESCRIPCION	No. REQ. N° REQ. N° REQ.	REMARKS REMARQUES NOTAS			
1	42287	STEERING CONTROL UNIT ASSEMBLY - INCLUDES ITEMS 2 TO 29	1		30	46497	STEERING COLUMN STEERING COLUMN	1				
2	15278	OIL SEAL	1									
3	15288	CENTERING SPRING	4				STEERING WHEEL					
4	15294	PIN	1		31	12406	NUT	1				
5	15295	DRIVE	1		32	46868	STEERING WHEEL	1				
6	*58483	SPACER	1		33	46869	LOCKING KNOB	1				
7	15301	CAPSCREW	7		34	46883	HOLE PLUG	1				
8	26217	END CAP	1		35	46884	DECAL - CHAMPION	1				
9	26218	GEAR SET	1		36	36M-06	LOCKNUT	1				
10	26219	SPACER PLATE	1									
11	26221	CHECK BALL RETAINER	1				STEERING INSTALLATION					
12	26222	CHECK BALL	1		37	12375	RUBBER MOUNT	2				
13	26223	CHECK BALL SEAT	1		38	17696	MOUNTING BRACKET	1				
14	26224	SET SCREW	1		39	28668	CLAMPING COLLAR	2				
15	26226	RETAINING RING	2		40	28894	FLANGE	1				
16	26227	NEEDLE BEARING KIT - INCLUDES ITEMS 17 & 18	1		41	28913	BOOT	1				
	42282	SEAL KIT FOR 42287 - STEERING CONTROL UNIT - INCLUDES ITEMS 2, 19, 21, 25 TO 29	1		42	14A-04	LOCKWASHER	4				
17		NEEDLE THRUST BEARING } SUPPLIED ONLY	1		43	30A-04	NUT	4				
18		BEARING RACE } WITH ITEM 16	2		44	50A-0610	BOLT	4				
19	42283	BACKUP RING	1		45	14A-06	LOCKWASHER	2				
20	42284	SEAL GLAND BUSHING	1		46	30A-10	NUT	2				
21	42285	SEAL	1		47	14C-10	FLATWASHER	2				
22	42286	SPACER PRING	2		48	14A-10	LOCKWASHER	2				
	45415	SPRING KIT - INCLUDES ITEMS 3 & 22	1		49	50A-1020	BOLT	2				
23	42288	CONTROL ASSEMBLY - INCLUDES ITEMS 3, 4, 22 & 24	1		50		STEERING CYLINDER & CIRCUIT	REF.	SECTION 1 Pgs. 11, 13 & 15			
24		{ HOUSING CONTROL SLEEVE } MATCHED SET - CONTROL SPOOL } SUPPLIED ONLY WITH ITEM 23	1									
25	12A-011	O RING	1									
26	12A-110	O RING	1									
27	12A-122	O RING	1									
28	12A-040	O RING	3									
29	12A-225	O RING	1									



ISSUE No.
N° D'ÉMISSION
N° DE EDICIÓN

EFFECTIVE SERIAL NUMBER(S) 21754 & UP
 NUMERO(S) DE SÉRIE EFFECTIF(S) EXCEPT 21789, 21797, 21801,
 NUMERO(S) DE SERIE EFECTIVO(S) 21805, 21809, 21813 & 21818

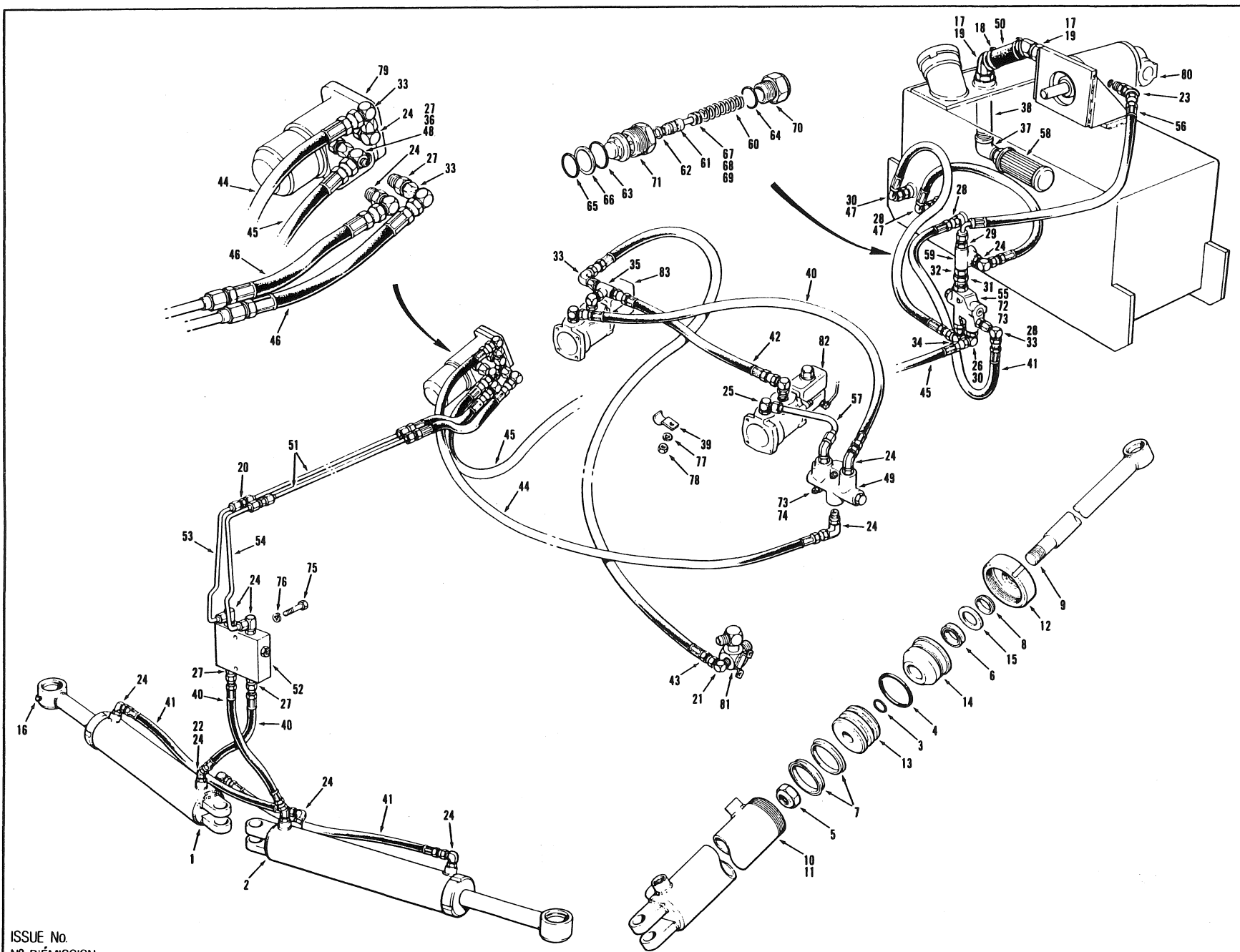
700 SERIES
 SERIE 700

SECTION
 SECCION 1

PAGE
 PAGINA 9

SECTION 1		PAGE 10		ISSUE No. 4		STEERING UNIT & COLUMN			OCTOBER 1991	
No. N° N°	PART No. N° DE PIÈCE N° DE PIEZA	DESCRIPTION DÉSCRIPTION DESCRIPCION	No. REQ. N° REQ. N° REQ.	REMARKS REMARQUES NOTAS	No. N° N°	PART No. N° DE PIÈCE N° DE PIEZA	DESCRIPTION DÉSCRIPTION DESCRIPCION	No. REQ. N° REQ. N° REQ.	REMARKS REMARQUES NOTAS	
1	42287	STEERING CONTROL UNIT ASSEMBLY - INCLUDES ITEMS 2 TO 29	1		30	46497	STEERING COLUMN	1		
	42282	SEAL KIT FOR 42287 - STEERING CONTROL UNIT - INCLUDES ITEMS 2, 19, 21, & 25 TO 29	1		31	12406	NUT	1		
2	15278	OIL SEAL	1		32	46868	STEERING WHEEL	1		
3	15288	CENTERING SPRING	4		33	46869	LOCKING KNOB	1		
4	15294	PIN	1		34	46883	HOLE PLUG	1		
5	15295	DRIVE	1		35	46884	DECAL - CHAMPION	1		
6	58483	SPACER	1		36	*30D-06	LOCKNUT	1		
7	15301	CAPSCREW	7		37	*57668	MOUNT	2		
8	26217	END CAP	1		38	*57669	SUPPORT	1		
9	26218	GEAR SET	1		39	28668	CLAMPING COLLAR	2		
10	26219	SPACER PLATE	1		40	28894	FLANGE	1		
11	26221	CHECK BALL RETAINER	1		41	28913	BOOT	1		
12	26222	CHECK BALL	1		42	14A-04	LOCKWASHER	4		
13	26223	CHECK BALL SEAT	1		43	30A-04	NUT	4		
14	26224	SET SCREW	1		44	50A-0610	BOLT	4		
15	26226	RETAINING RING	2		45	14A-06	LOCKWASHER	8		
16	26227	NEEDLE BEARING KIT - INCLUDES ITEMS 17 & 18	1		46	*50A-0648	BOLT	1		
17		NEEDLE THRUST BEARING	1		47	*14C-06	FLATWASHER	4		
18		BEARING RACE	2		48	*14J-06	LOCKWASHER	2		
19	42283	BACKUP RING	1		49	*50A-0608	BOLT	4		
20	42284	SEAL GLAND BUSHING	1		50	*30A-06	NUT	1		
21	42285	SEAL	1		51	*36D-06	NUT	1		
22	42286	SPACER PRING	2		52		STEERING CYLINDER & CIRCUIT	REF.	SECTION 1 Pgs. 11, 13 & 15	
	45415	SPRING KIT - INCLUDES ITEMS 3 & 22	1							
23	42288	CONTROL ASSEMBLY - INCLUDES ITEMS 3, 4, 22 & 24	1							
24		HOUSING } CONTROL SLEEVE } CONTROL SPOOL }	1	MATCHED SET - SUPPLIED ONLY WITH ITEM 23						
25	12A-011	O-RING	1							
26	12A-110	O-RING	1							
27	12A-122	O-RING	1							
28	12A-040	O-RING	3							
29	12A-225	O-RING	1							

CHAMPION ROAD MACHINERY



EFFECTIVE SERIAL NUMBER(S) 16224, 16245 & UP
 NUMÉROS(S) DE SÉRIE EFFECTIF(S)
 NUMEROS(S) DE SERIE EFECTIVOS(S)
 U.S. 2021-2 & UP

700 SERIES
 SERIE 700

SECTION 1 PAGE 11
 SECCION 1 PAGINA 11

ISSUE No.
 N° D'ÉMISSION
 N° DE EDICION 1

STEERING CYLINDER & CIRCUIT - MODEL 710/710A

OCTOBER 1984

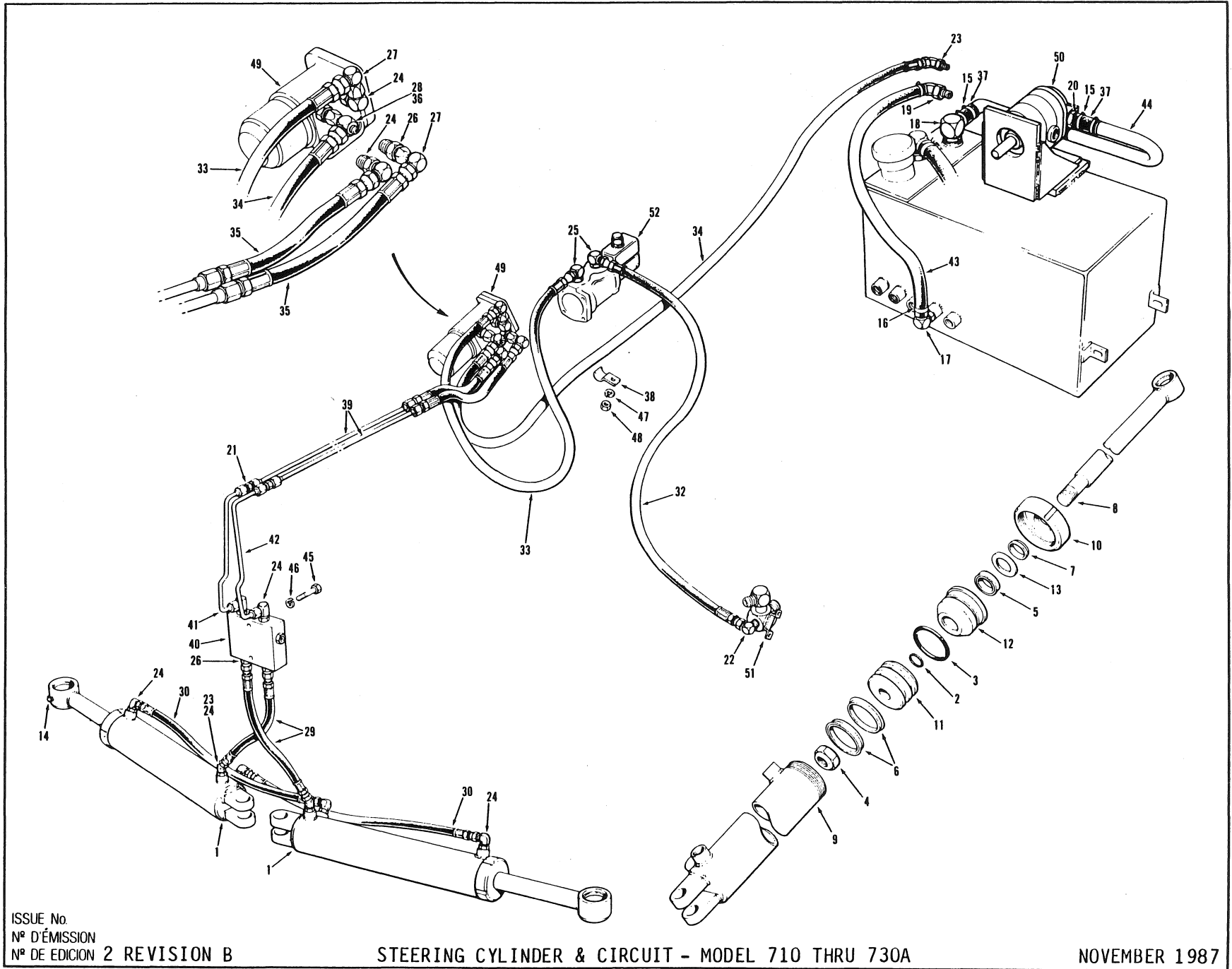
FOR LIST OF PARTS - TURN THIS PAGE POUR LA LISTE DES PIÈCES - VOIR AU VERSO PARA LA LISTA DE LAS PIEZAS - VER AL VERSO

USE ONLY CHAMPION APPROVED PARTS
 SEULS PIÈCES APPROUVÉES CHAMPION
 SOLO PIEZAS APROBADAS CHAMPION

EFFECTIVE SERIAL NUMBERS) 16806 TO 16892
 NUMEROS) DE SERIE EFFECTIFS)
 NUMEROS) DE SERIE EFFECTIVOS)
 U.S. 2420-2 TO 2465-2

700 SERIES
 SERIE 700

SECTION 1 PAGE 11
 SECCION 1 PAGINA 11



ISSUE No.
 N° D'ÉMISSION
 N° DE EDICION 2 REVISION B

STEERING CYLINDER & CIRCUIT - MODEL 710 THRU 730A

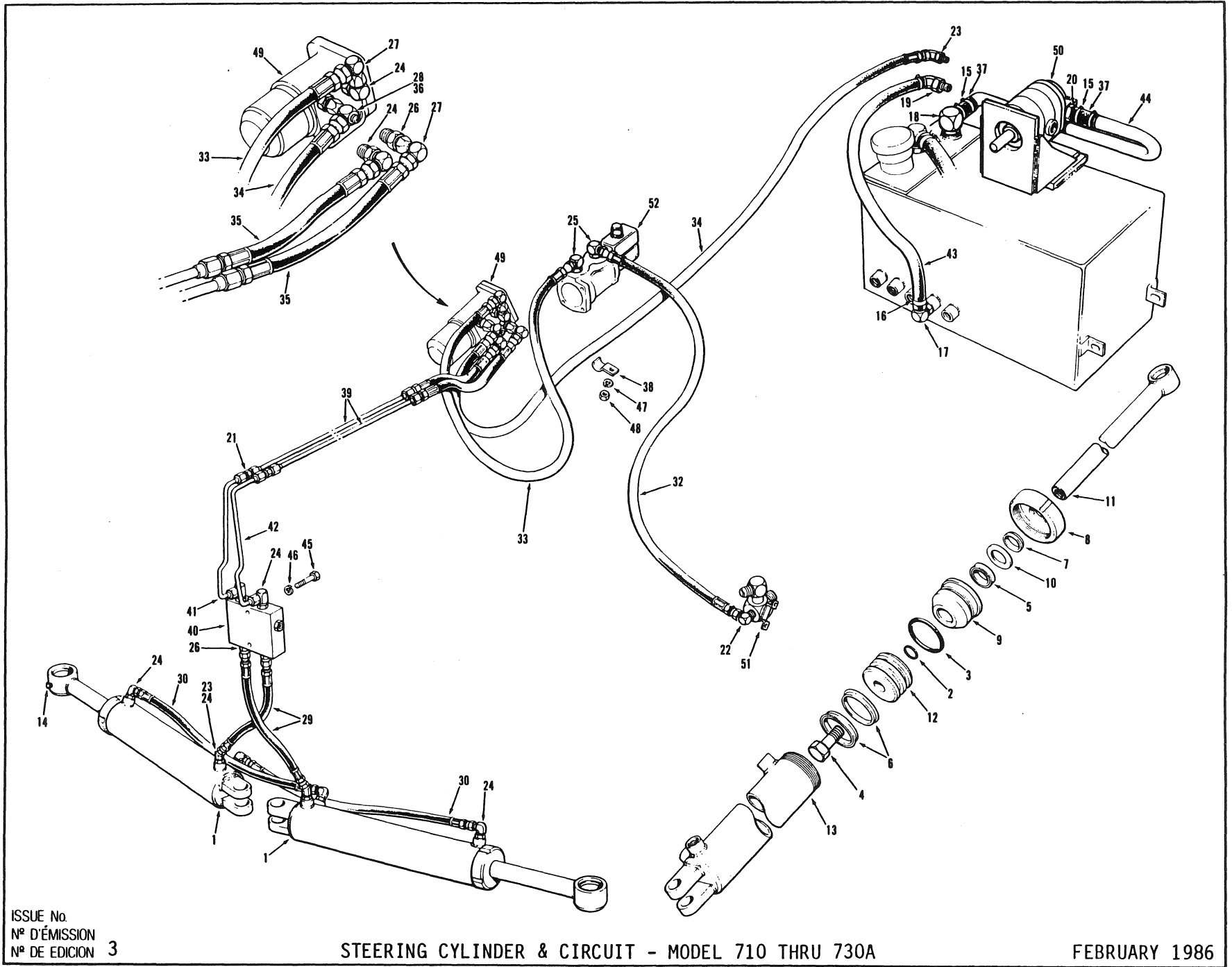
NOVEMBER 1987

FOR LIST OF PARTS - TURN THIS PAGE

POUR LA LISTE DES PIÈCES - VOIR AU VERSO

PARA LA LISTA DE LAS PIEZAS - VER AL VERSO

SECTION SECCION 1		PAGE PAGINA 12	ISSUE No. N° D'ÉMISSION N° DE EDICION 2 REVISION B	STEERING CYLINDER & CIRCUIT - MODELS 710 THRU 730A			NOVEMBER 1987		
No. N° N°	PART No. N° DE PIECE N° DE PIEZA	DESCRIPTION DESCRIPTION DESCRIPCION	No. REQ. N° REQ. N° REQ.	REMARKS REMARQUES NOTAS	No. N° N°	PART No. N° DE PIECE N° DE PIEZA	DESCRIPTION DESCRIPTION DESCRIPCION	No. REQ. N° REQ. N° REQ.	REMARKS REMARQUES NOTAS
1	17030	STEERING CYLINDER ASSEMBLY - R.H.	1		36	16424	CONNECTOR - C/W ITEM 28	1	
	17031	STEERING CYLINDER ASSEMBLY - L.H.	1		37	17162 X 3.5	HOSE	2	
2	12A-214	O RING	1		38	19244	CLIP	A.R.	
3	12A-334	O RING	1		39	23498	TUBE	2	
4	37H-16	LOCKNUT	1		40	23748	CUSHION VALVE	1	
5	12164	ROD SEAL	1		41	23961	TUBE	1	
6	12165	PISTON SEAL	2		42	23962	TUBE	1	
7	12166	WIPER	1		43	32858 X 34	HOSE	1	
8	16911	PISTON ROD	1		44	41924	TUBE	1	
9	16912	CYLINDER BARREL - L.H.	1						
	16913	CYLINDER BARREL - R.H.	1			*26317	SEAL REPAIR KIT FOR 23748 VALVE	A.R.	
10	17605	CYLINDER NUT	1						
11	17606	PISTON	1		45	50A-0516	BOLT	2	
12	17607	GLAND	1		46	14A-05	LOCKWASHER	2	
13	17613	WASHER	1		47	14A-06	LOCKWASHER	A.R.	
14	29B-02	GREASE FITTING	1		48	30A-06	NUT	A.R.	
	*26408	REPAIR KIT FOR CYLINDER ASSY. - INCLUDES ITEMS 2 TO 7 & 13	A.R.		49		STEERING UNIT & COLUMN	REF.	SECTION 1 PAGE 9/10
15	22A-175	CLAMP	4		50		HYDRAULIC PUMP	REF.	SECTION 4 PAGE 1/2
16	22B-22	CLAMP	2		51		PRIMARY HYDRAULIC CIRCUIT	REF.	SECTION 4 PAGE 11/12
17	108A-1212	CONNECTOR	1		52		MASTER CYLINDER - BRAKE	REF.	SECTION 9 PAGE 3/4
18	108A-2020	CONNECTOR	1						
19	108B-1212	CONNECTOR	1						
20	108C-2020	CONNECTOR	1						
21	110L-08	CONNECTOR	2						
22	110R-0808	CONNECTOR	1						
23	111A-0808	CONNECTOR	2						
24	111B-0808	CONNECTOR	A.R.						
25	111B-0810	CONNECTOR	4						
26	111E-0808	CONNECTOR	4						
27	112B-08	CONNECTOR	4						
28	115D-02	PLUG	1						
29	9313 X 18	HOSE	1						
30	9313 X 25	HOSE	2						
32	9313 X 48	HOSE	1						
33	9313 X 90	HOSE	1						
34	9313 X 223	HOSE	1						
35	14369 X 10.5	HOSE	2						



STEERING CYLINDER & CIRCUIT - MODEL 710 THRU 730A

FEBRUARY 1986

FOR LIST OF PARTS - TURN THIS PAGE

POUR LA LISTE DES PIÈCES - VOIR AU VERSO

PARA LA LISTA DE LAS PIEZAS - VER AL VERSO

EFFECTIVE SERIAL NUMBER(S)
 NUMEROS(S) DE SERIE EFFECTIF(S)
 U.S. 2466-2 & UP

16893 & UP

700 SERIES
 SERIE 700

SECTION 1 PAGE 11
 SECCION 1 PAGINA 11

ISSUE No.
 N° D'ÉMISSION
 N° DE EDICION 3

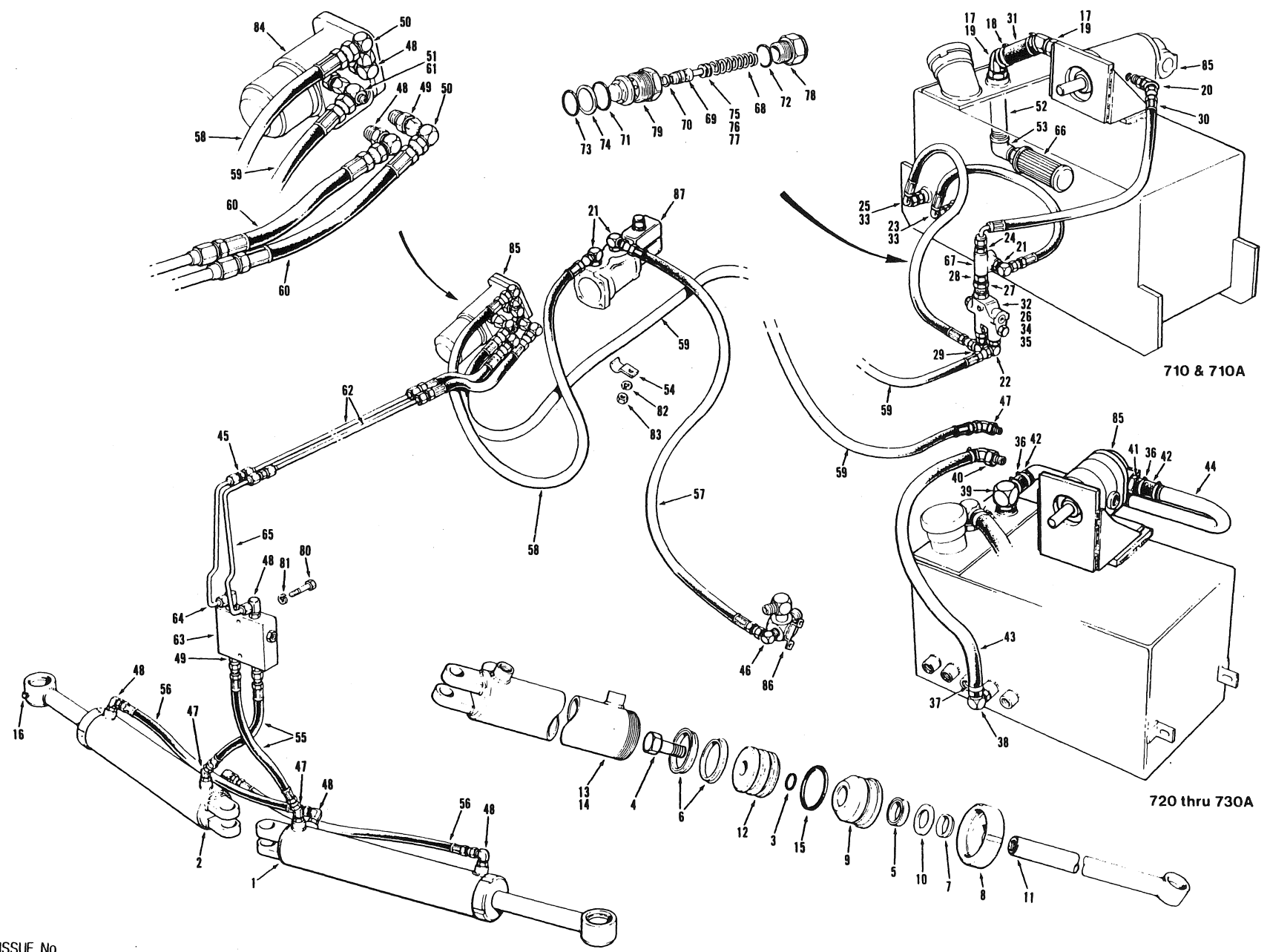
USE ONLY CHAMPION APPROVED PARTS

SECTION SECCION		PAGE PAGINA	ISSUE No. N° D'ÉMISSION N° DE EDICION	STEERING CYLINDER & CIRCUIT - MODELS 710 THRU 730A				FEBRUARY 1986	
No. N° N°	PART No. N° DE PIÈCE N° DE PIEZA	DESCRIPTION DÉSCRIPTION DESCRIPCION	No. REQ. N° REQ. N° REQ.	REMARKS REMARQUES NOTAS	No. N° N°	PART No. N° DE PIÈCE N° DE PIEZA	DESCRIPTION DÉSCRIPTION DESCRIPCION	No. REQ. N° REQ. N° REQ.	REMARKS REMARQUES NOTAS
1	*43103	STEERING CYLINDER ASSEMBLY - L.H.	1		36	16424	CONNECTOR - C/W ITEM 28	1	
	*43104	STEERING CYLINDER ASSEMBLY - R.H.	1		37	17162 X 3.5	HOSE	2	
2	12A-216	O RING	1		38	19244	CLIP	A.R.	
3	12A-334	O RING	1		39	23498	TUBE	2	
4	*51A-1220	BOLT	1		40	23748	CUSHION VALVE	1	
5	12164	ROD SEAL	1		41	23961	TUBE	1	
6	12165	PISTON SEAL	2		42	23962	TUBE	1	
7	12166	WIPER	1		43	32858 X 34	HOSE	1	
8	17605	CYLINDER NUT	1		44	41924	TUBE	1	
9	17607	GLAND	1						
10	17613	WASHER	1		45	50A-0516	BOLT	2	
11	*42121	PISTON ROD	1		46	14A-05	LOCKWASHER	2	
12	*42122	PISTON	1		47	14A-06	LOCKWASHER	A.R.	
13	*43105	CYLINDER BARREL - L.H.	1		48	30A-06	NUT	A.R.	
	*43106	CYLINDER BARREL - R.H.	1						
14	29B-02	GREASE FITTING	1		49		STEERING UNIT & COLUMN	REF.	SECTION 1 PAGE 9/10
	*42975	REPAIR KIT FOR CYLINDER ASSY. - INCLUDES ITEMS 2 TO 7 & 10	A.R.		50		HYDRAULIC PUMP	REF.	SECTION 4 PAGE 1/2
15	22A-175	CLAMP	4		51		PRIMARY HYDRAULIC CIRCUIT	REF.	SECTION 4 PAGE 11/12
16	22B-22	CLAMP	2		52		MASTER CYLINDER - BRAKE	REF.	SECTION 9 PAGE 3/4
17	108A-1212	CONNECTOR	1						
18	108A-2020	CONNECTOR	1						
19	108B-1212	CONNECTOR	1						
20	108C-2020	CONNECTOR	1						
21	110L-08	CONNECTOR	2						
22	110R-0808	CONNECTOR	1						
23	111A-0808	CONNECTOR	2						
24	111B-0808	CONNECTOR	A.R.						
25	111B-0810	CONNECTOR	4						
26	111E-0808	CONNECTOR	4						
27	112B-08	CONNECTOR	4						
28	115D-02	PLUG	1						
29	9313 X 18	HOSE	1						
30	9313 X 25	HOSE	2						
32	9313 X 48	HOSE	1						
33	9313 X 90	HOSE	1						
34	9313 X 223	HOSE	1						
35	14369 X 10.5	HOSE	2						

EFFECTIVE SERIAL NUMBER(S) 17376, 17377, 17378,
 NUMEROS(S) DE SERIE EFFECTIFS(S) 17382 & UP
 U.S. 2572-2 & UP

700 SERIES
 SERIE 700

SECTION 1 PAGE 11
 SECCION 1 PAGINA 11



710 & 710A

720 thru 730A

ISSUE No.
 N° D'ÉMISSION
 N° DE EDICION 4

STEERING CYLINDER & CIRCUIT - MODEL 710 THRU 730A

SEPTEMBER 1986

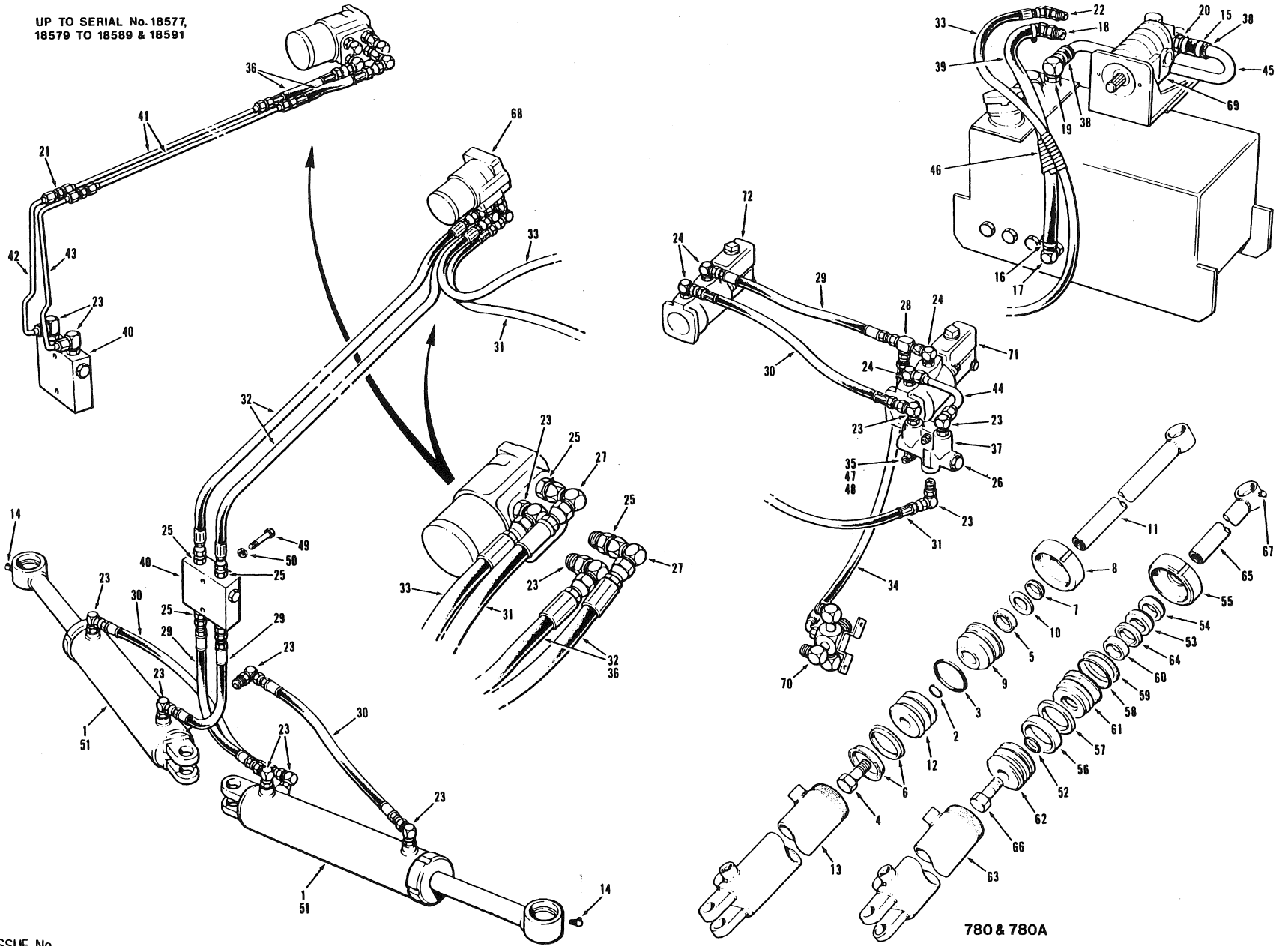
FOR LIST OF PARTS - TURN THIS PAGE POUR LA LISTE DES PIÈCES - VOIR AU VERSO PARA LA LISTA DE LAS PIEZAS - VER AL VERSO

USE ONLY CHAMPION ROAD MACHINERY APPROVED PARTS

SECTION SECCION		PAGE PAGINA		ISSUE No. N° D'ÉMISSION N° DE EDICION		STEERING CYLINDER & CIRCUIT MODEL 710 THRU 730A				SEPTEMBER 1986	
No. N° N°	PART No. N° DE PIÈCE N° DE PIEZA	DESCRIPTION DÉSCRIPTION DESCRIPCION	No. REQ. N° REQ. N° REQ.	REMARKS REMARQUES NOTAS	No. N° N°	PART No. N° DE PIECE N° DE PIEZA	DESCRIPTION DÉSCRIPTION DESCRIPCION	No. REQ. N° REQ. N° REQ.	REMARKS REMARQUES NOTAS		
1	43103	STEERING CYLINDER ASSEMBLY - L.H.	1		51	115D-02	PLUG	1			
2	43104	STEERING CYLINDER ASSEMBLY - R.H.	1		52	115J-2424	ELBOW	1			
3	12A-216	O RING	1		53	115Z-2420	NIPPLE	1			
4	51A-1220	BOLT	1		54	8570	CLIP	3			
5	12164	ROD SEAL	1		55	9313 X 18	HOSE	2			
6	12165	PISTON SEAL	2		56	9313 X 25	HOSE	2			
7	12166	WIPER	1		57	9313 X 48	HOSE	1			
8	17605	CYLINDER NUT	1		58	9313 X 90	HOSE	1			
9	17607	GLAND	1		59	9313 X 212	HOSE	1			
10	17613	WASHER	1		60	14369 X 10.5	HOSE	2			
11	42121	PISTON ROD	1		61	16424	CONNECTOR - INCLUDES ITEM - 51	1			
12	42122	PISTON	1		62	23498	TUBE	2			
13	43105	CYLINDER BARREL L.H.	1		63	23748	CUSHION VALVE	1			
14	43106	CYLINDER BARREL R.H.	1		64	23961	TUBE	1			
15	44243	O RING	1		65	23962	TUBE	1			
16	29B-02	GREASE FITTING	1		66	32668	STRAINER	1			
17	12A-128	O RING	2			26317	SEAL REPAIR KIT FOR 23748 CUSHION VALVE	A.R.			
18	22A-175	CLAMP	2								
19	108B-2420	CONNECTOR - INCLUDES ITEMS - 17	2								
20	111A-1212	CONNECTOR	1		67	40234	RELIEF VALVE ASSY. - C/W 68 TO 79	1			
21	111B-0810	CONNECTOR	4		68	27552	SPRING	1			
22	111B-0812	CONNECTOR	1			27547	SERVICE KIT - INCLUDES ITEMS 69 & 70	A.R.			
23	111E-0812	CONNECTOR	1		69		POPPET	1			
24	111E-1012	CONNECTOR	1		70		PISTON RING	1			
25	111E-1212	CONNECTOR	2			27551	SEAL KIT - INCLUDES ITEMS 71 TO 79	1			
26	111H-08	PLUG	1	* 710 & 710A S/N 17376	71		O RING	1	* 710 & 710A S/N 17376		
27	111R-1210	ADAPTER	1	17377, 17378	72		O RING	1	17377, 17378		
28	111P-10	CONNECTOR	1	17382 & UP	73		O RING	1	17382 & UP		
29	112B-12	CONNECTOR	1		74		BACK UP RING	1			
30	14382 X 28	HOSE	1		75		SHIM - 0.25mm	A.R.			
31	17156 X 8.5	HOSE	1		76		SHIM - 0.51mm	A.R.			
32	27892	FLOW DIVIDER VALVE	1		77		SHIM - 1.02mm	A.R.			
33	28696 X 25	HOSE	2		78		CAP	1			
34	50A-0416	BOLT	4		79		BODY	1			
35	14A-04	LOCKWASHER	4		80	50A-0516	BOLT	2			
36	22A-175	CLAMP	4		81	14A-05	LOCKWASHER	2			
37	22B-22	CLAMP	2		82	14A-06	LOCKWASHER	A.R.			
38	108A-1212	CONNECTOR	1		83	30A-06	NUT	A.R.			
39	108A-2020	CONNECTOR	1		84		STEERING UNIT & COLUMN	REF.	SECTION 1 PAGE 10		
40	108B-1212	CONNECTOR	1	720 THRU 730A					SECTION 4 PAGE 2		
41	108C-2020	CONNECTOR	1		85		HYDRAULIC PUMP	REF.	SECTION 4 PAGE 2		
42	17162 X 3.5	HOSE	2						SECTION 4 PAGE 12		
43	32858 X 34	HOSE	1		86		TEE ASSEMBLY	REF.	SECTION 4 PAGE 12		
44	41924	TUBE	1		87		MASTER CYLINDER - BRAKE	REF.	SECTION 9 PAGE 4		
45	110L-0808	CONNECTOR	2								
46	110R-0808	CONNECTOR	1								
47	111A-0808	CONNECTOR	2								
48	111B-0808	CONNECTOR	A.R.								
49	111E-0808	CONNECTOR	5								
50	112B-08	CONNECTOR	2								

EFFECTIVE SERIAL NUMBERS) 17933 & UP
 NUMEROS) DE SERIE EFFECTIFS)
 NUMEROS) DE SERIE EFFECTIVOS)

UP TO SERIAL No. 18577,
 18579 TO 18589 & 18591



780 & 780A

STEERING CYLINDER & CIRCUIT - 710 THRU 780A

JUNE 1988

700 SERIES
 SERIE 700

SECTION 1 PAGE 11
 SECCION 1 PAGINA 11

ISSUE No.
 N° D'ÉMISSION
 N° DE EDICION 5

FOR LIST OF PARTS - TURN THIS PAGE POUR LA LISTE DES PIÈCES - VOIR AU VERSO PARA LA LISTA DE LAS PIEZAS - VER AL VERSO

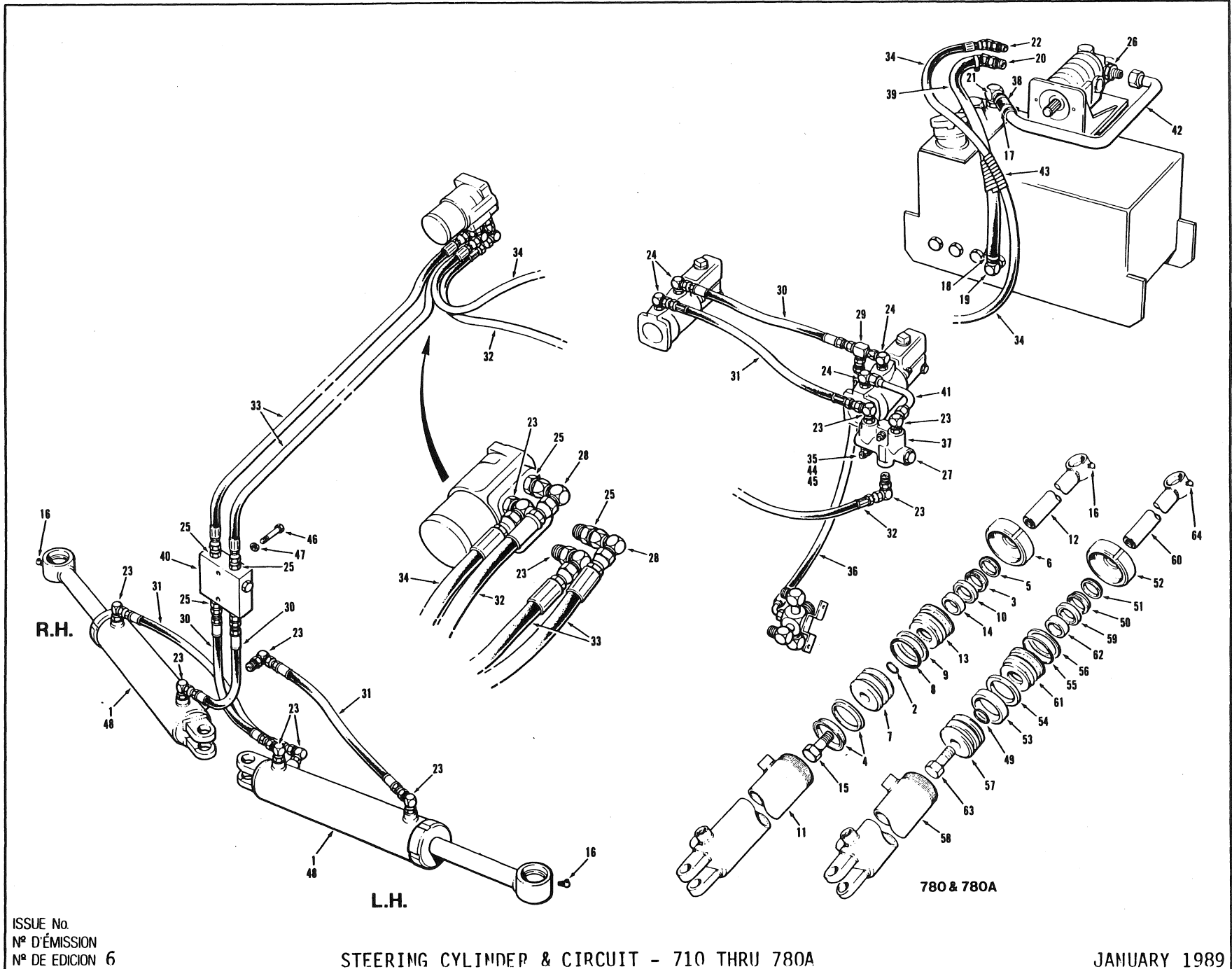
USE ONLY CHAMPION ROAD MACHINERY APPROVED PARTS

EFFECTIVE SERIAL NUMBERS)
 NUMEROS) DE SERIE EFFECTIFS)
 NUMEROS) DE SERIE EFFECTIVOS)

19237 & UP

700 SERIES
 SERIE 700

SECTION 1 PAGE 11
 SECCION 1 PAGINA 11



ISSUE No.
 N° D'ÉMISSION
 N° DE EDICION 6

STEERING CYLINDER & CIRCUIT - 710 THRU 780A

JANUARY 1989

FOR LIST OF PARTS - TURN THIS PAGE

POUR LA LISTE DES PIÈCES - VOIR AU VERSO

PARA LA LISTA DE LAS PIEZAS - VER AL VERSO

SECTION SECCION		PAGE PAGINA	ISSUE No. N° D'ÉMISSION N° DE EDICION	STEERING CYLINDER & CIRCUIT - MODELS 710 THRU 780A				JANUARY 1989	
No. N° Nº	PART No. N° DE PIÈCE N° DE PIEZA	DESCRIPTION DESCRIPTION DESCRIPCION	No. REQ. N° REQ. Nº REQ.	REMARKS REMARQUES NOTAS	No. N° Nº	PART No. N° DE PIECE N° DE PIEZA	DESCRIPTION DESCRIPTION DESCRIPCION	No. REQ. N° REQ. Nº REQ.	REMARKS REMARQUES NOTAS
1	*46018	STEERING CYLINDER - R.H. INCLUDES ITEMS 2 TO 16	1	EXCEPT 780 & 780A	40	23748	CUSHION VALVE	1	
	*46019	STEERING CYLINDER - L.H. INCLUDES ITEMS 2 TO 16	1	EXCEPT 780 & 780A	41	41477	TUBE	1	
2	12A-216	O RING	1		42	*49379	TUBE	1	
3	12164	ROD SEAL	1		43	41646 X 6	HOSE WRAP	2	
4	12165	PISTON SEAL	2		44	14A-04	LOCKWASHER	2	
5	12166	WIPER	1		45	30A-04	NUT	2	
6	17605	CYLINDER NUT	1		46	50A-0516	BOLT	2	
7	42122	PISTON	1		47	14A-05	LOCKWASHER	2	
8	*44243	O RING	1			45760	STEERING CYLINDER ASSY. - R.H. INCLUDES ITEMS 49 TO 63	1	MODELS 780 & 780A
9	*44343	BACK-UP RING	1		48	45761	STEERING CYLINDER ASSY. - L.H. INCLUDES ITEMS 49 TO 63	1	MODELS 780 & 780A
10	*45889	BUFFER RING	1		49	12A-216	O RING	1	
11	*46020	CYLINDER BARREL - R.H.	1		50	12164	ROD SEAL	1	
12	*46021	CYLINDER BARREL - L.H.	1		51	12166	ROD WIPER	1	
13	*46034	PISTON ROD	1		52	17605	CYLINDER NUT	1	
14	*49393	GLAND	1		53	30344	WEAR RING	1	
15	*49394	WEAR RING	1		54	43336	PISTON UNIRING	1	
16	*50A-1220	BOLT	1		55	44243	O RING	1	
	*28B-04	GREASE FITTING	1		56	44343	BACK-UP RING	1	
	*48870	REPAIR KIT FOR CYLINDER ASSY. - INCLUDES ITEMS 2 TO 5, 8, 9, 10, 14 & 15	A.R.		57	45736	PISTON	1	
17	22A-175	CLAMP	2		58	45762	CYLINDER BARREL - R.H.	1	
18	22B-12	CLAMP	2		59	45781	CYLINDER BARREL - L.H.	1	
19	108A-1212	CONNECTOR	1		60	45889	BUFFER RING	1	
20	108B-1212	CONNECTOR	1		61	46127	PISTON ROD	1	
21	108A-2020	CONNECTOR	1		62	*49393	GLAND	1	
22	111A-0808	CONNECTOR	1		63	*49394	WEAR RING	1	
23	111B-0808	CONNECTOR	1		64	50A-1220	BOLT	1	
24	111B-0810	CONNECTOR	4			29B-02	GREASE FITTING	1	
25	111E-0808	CONNECTOR	6			*48871	REPAIR KIT FOR CYLINDER ASSY. - INCLUDES ITEMS 49 TO 51, 54 TO 56, 59, 62 & 63	A.R.	
26	*111E-2020	CONNECTOR	1			26317	SEAL REPAIR KIT FOR 23748 CUSHION VALVE	A.R.	
27	111H-06	PLUG	1						
28	112B-08	CONNECTOR	2						
29	112C-08	TEE	1						
30	9313 X 18	HOSE	3						
31	9313 X 25	HOSE	3						
32	9313 X 90	HOSE	1						
33	9313 X 140	HOSE	2						
34	9313 X 223	HOSE	1						
35	9730-2	BUSHING	2						
36	14382 X 28	HOSE	1						
37	16947	DIVIDER VALVE ASSY.	1						
38	*17162 X 6	HOSE	1						
39	32858 X 34	HOSE	1						

CHAMPION ROAD MACHINERY

EFFECTIVE SERIAL NUMBERS)
 NUMEROSI DE SERIE EFFETTIVI)
 NUMEROSI DE SERIE EFECTIVOS)

19431, 19458, 19565, 19566,
 19568 to 19578, 19580 to 19589,
 19591, 19592, 19594 to 19610,
 19612 to 19614, 19616, 19618 & UP

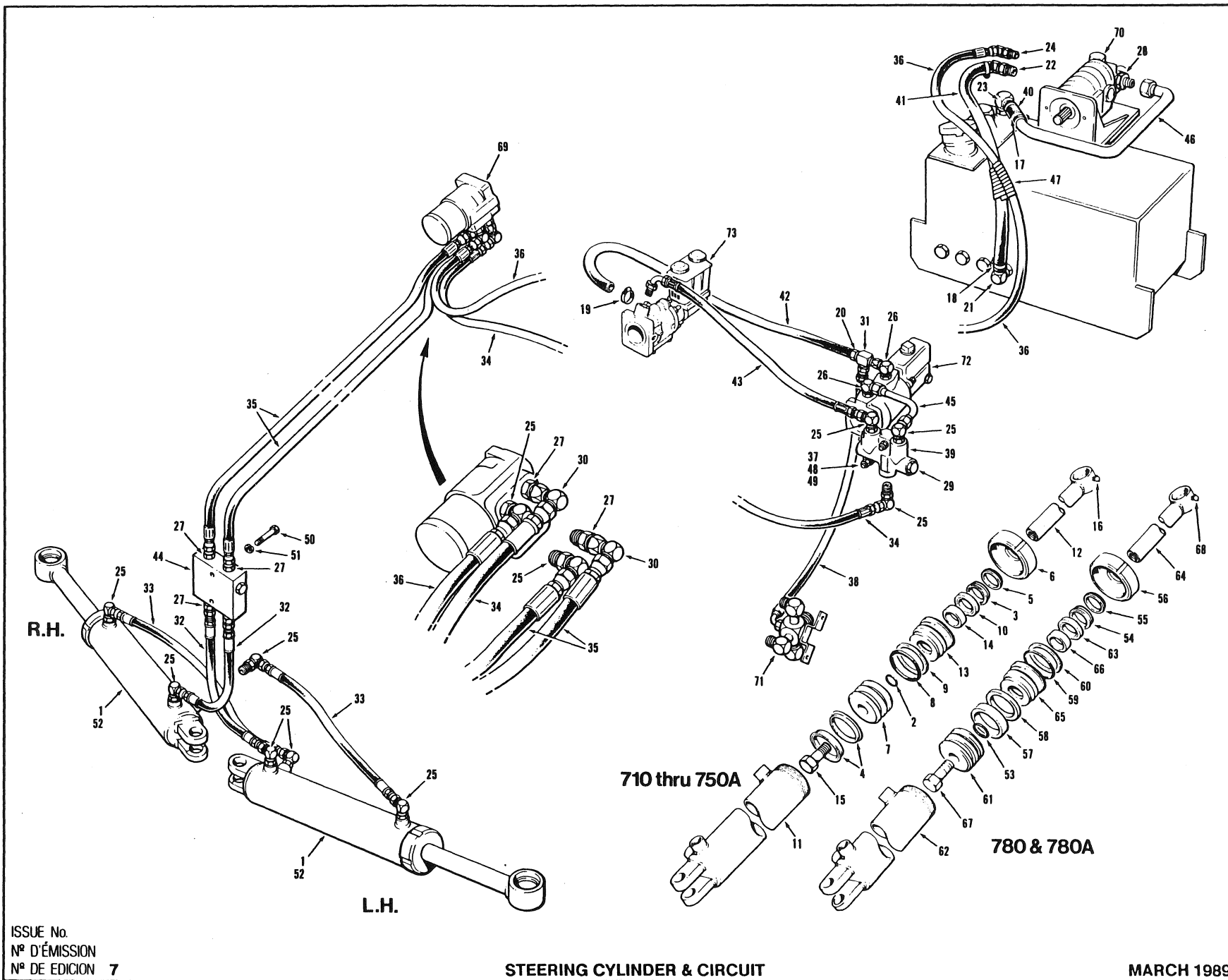
700 SERIES
 SERIE 700

SECTION
 SECCION

1

PAGE
 PAGINA

11



ISSUE No.
 N° D'ÉMISSION
 N° DE EDICION 7

STEERING CYLINDER & CIRCUIT

MARCH 1989

FOR LIST OF PARTS - TURN THIS PAGE

POUR LA LISTE DES PIÈCES - VOIR AU VERSO

PARA LA LISTA DE LAS PIEZAS - VER AL VERSO

USE ONLY CHAMPION APPROVED PARTS

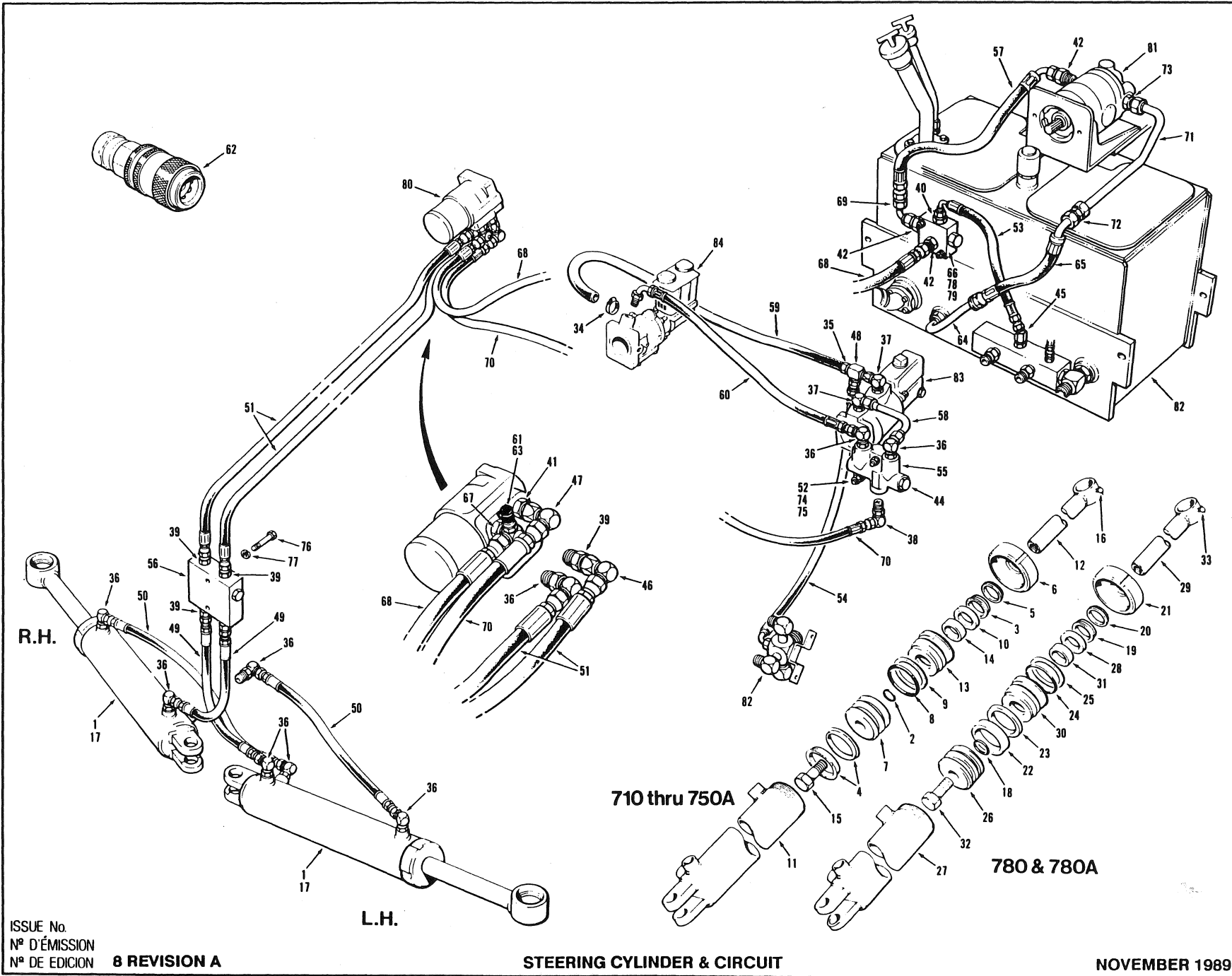


SECTION SECCION		PAGE PAGINA		ISSUE No. N° D'ÉMISSION N° DE EDICION		STEERING CYLINDER & CIRCUIT				MARCH 1989	
No. N° N°	PART No. N° DE PIÈCE N° DE PIEZA	DESCRIPTION DÉSCRIPTION DESCRIPCION	No. REQ. N° REQ. N° REQ.	REMARKS REMARQUES NOTAS	No. N° N°	PART No. N° DE PIECE N° DE PIEZA	DESCRIPTION DÉSCRIPTION DESCRIPCION	No. REQ. N° REQ. N° REQ.	REMARKS REMARQUES NOTAS		
1	46018	STEERING CYLINDER - R.H. - INCLUDES ITEMS 2 TO 16	1	710 THRU 750A	44	23748	CUSHION VALVE	1			
	1	46019	STEERING CYLINDER - L.H. - INCLUDES ITEMS 2 TO 16	1	710 THRU 750A	45	41477	TUBE	1		
		2	12A-216	O RING	1	46	49379	TUBE	1		
		3	12164	ROD SEAL	1	47	41646X16	HOSE WRAP	2		
		4	12165	PISTON SEAL	2	48	14A-04	LOCKWASHER	2		
		5	12166	WIPER	1	49	30A-04	NUT	2		
		6	17605	CYLINDER NUT	1	50	50A-0516	BOLT	2		
		7	42122	PISTON	1	51	14A-05	LOCKWASHER	4		
		8	44243	O RING	1	52	45760	STEERING CYLINDER ASSEMBLY - R.H. - INCLUDES ITEMS 53 TO 67	1	MODELS 780 & 780A	
		9	44343	BACK-UP RING	1		45761	STEERING CYLINDER ASSEMBLY - L.H. - INCLUDES ITEMS 53 TO 67	1	MODELS 780 & 780A	
		10	45889	BUFFER RING	1	53	12A-216	O RING	1		
		11	46020	CYLINDER BARREL - R.H.	1	54	12164	ROD SEAL	1		
			46021	CYLINDER BARREL - L.H.	1	55	12166	ROD WIPER	1		
		12	46034	PISTON ROD	1	56	17605	CYLINDER NUT	1		
		13	49393	GLAND	1	57	30344	WEAR RING	1		
		14	49394	WEAR RING	1	58	43336	PISTON UNIRING	1		
15		50A-1220	BOLT	1	59	44243	O RING	1			
16	28B-04	GREASE FITTING	1	60	44343	BACK-UP RING	1				
	48870	REPAIR KIT FOR CYLINDER ASSY. - INCLUDES ITEMS 2 TO 5, 8, 9, 10, 14 & 15	A.R.	61	45736	PISTON	1				
17	22A-175	CLAMP	1	62	45762	CYLINDER BARREL - R.H.	1				
18	22B-12	CLAMP	2		45781	CYLINDER BARREL - L.H.	1				
19	*22B-16	CLAMP	1	63	45889	BUFFER RING	1				
20	*106C-0808	CONNECTOR	1	64	46127	PISTON ROD	1				
21	108A-1212	CONNECTOR	1	65	49393	GLAND	1				
22	108B-1212	CONNECTOR	1	66	49394	WEAR RING	1				
23	108A-2020	CONNECTOR	1	67	50A-1220	BOLT	1				
24	111A-0808	CONNECTOR	1	68	29B-02	GREASE FITTING	1				
25	111B-0808	CONNECTOR	11		48871	REPAIR KIT FOR CYLINDER ASSEMBLY - INCLUDES ITEMS 53 TO 55, 58 TO 60, 63, 66 & 67	A.R.				
26	111B-0810	CONNECTOR	2		26317	SEAL REPAIR KIT FOR 23748 CUSHION VALVE	A.R.				
27	111E-0808	CONNECTOR	6		69	STEERING UNIT & COLUMN	REF.	SECTION 1 PAGE 10			
28	111E-2020	CONNECTOR	1		70	HYDRAULIC PUMP	REF.	SECTION 4 PAGE 2			
29	111H-06	PLUG	1		71	PRIAMARY HYDRAULIC CIRCUIT	REF.	SECTION 4 PAGE 16			
30	112B-08	CONNECTOR	2		72	CLUTCH MASTER CYLINDER & BOOSTER ASSEMBLY	REF.	SECTION 5 PAGE 8			
31	112C-08	TEE	1		73	BRAKE MASTER CYLINDER & BOOSTER ASSEMBLY	REF.	SECTION 9 PAGE 4			
32	9313X18	HOSE	2								
33	9313X25	HOSE	2								
34	9313X90	HOSE	1								
35	9313X140	HOSE	2								
36	9313X223	HOSE	1								
37	9730-2	BUSHING	2								
38	14382X28	HOSE	1								
39	16947	DIVIDER VALVE ASSY.	1								
40	17162X6	HOSE	1								
41	32858X34	HOSE	1								
42	*41539X38	HOSE	1								
43	*48849	HOSE	1								

EFFECTIVE SERIAL NUMBERS) 19982, 19984, 19985, 19996,
 NUMEROS) DE SÉRIE EFFECTIFS) 20005, 20104, 20106, 20120
 NUMEROS) DE SÉRIE EFECTIVOS) & UP

700 SERIES
 SERIE 700

SECTION 1 PAGE 11
 SECCION 1 PAGINA 11



ISSUE No. N° D'ÉMISSION N° DE EDICION **8 REVISION A**

STEERING CYLINDER & CIRCUIT

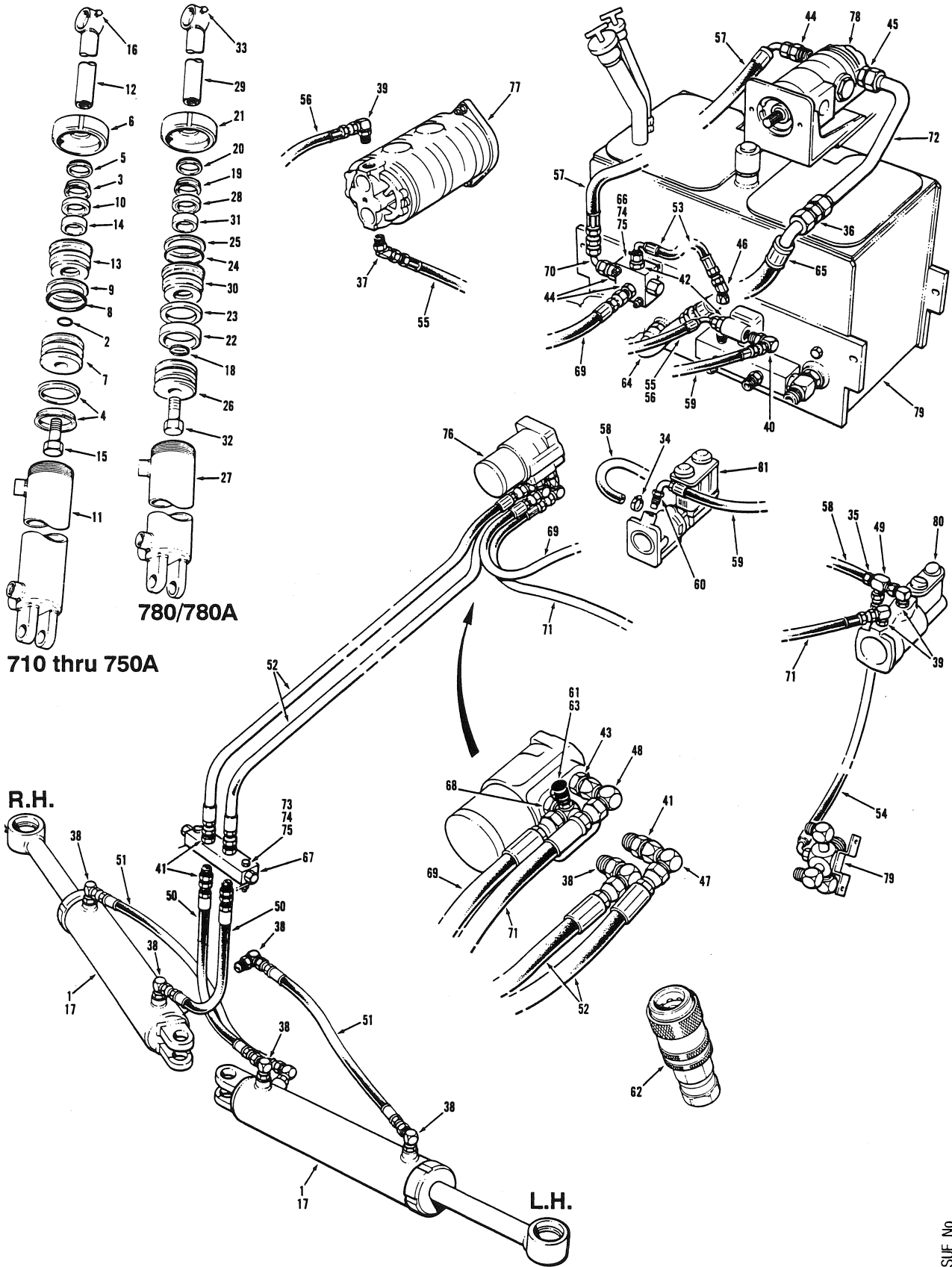
NOVEMBER 1989

FOR LIST OF PARTS - TURN THIS PAGE POUR LA LISTE DES PIÈCES - VOIR AU VERSO PARA LA LISTA DE LAS PIEZAS - VER AL VERSO

USE ONLY CHAMPION APPROVED PARTS

SECTION SECCION		PAGE PAGINA		ISSUE No. N° D'ÉMISSION N° DE EDICION		8 REVISION A		STEERING CYLINDER & CIRCUIT			JANUARY 1990	
No. N° N°	PART No. N° DE PIÈCE N° DE PIEZA	DESCRIPTION DÉSCRIPTION DESCRIPCION	No. REQ. N° REQ. N° REQ.	REMARKS REMARQUES NOTAS	No. N° N°	PART No. N° DE PIECE N° DE PIEZA	DESCRIPTION DÉSCRIPTION DESCRIPCION	No. REQ. N° REQ. N° REQ.	REMARKS REMARQUES NOTAS			
1	46018	STEERING CYLINDER ASSEMBLY - R.H. - INCLUDES ITEMS 2 TO 16	1	710 thru 750A	39	111E-0808	CONNECTOR	1				
	46019	STEERING CYLINDER ASSEMBLY - L.H. - INCLUDES ITEMS 2 TO 16	1	710 thru 750A	40	111E-0812	CONNECTOR	1				
2	12A-216	O RING	1		41	111E-1008	CONNECTOR	1				
3	12164	ROD SEAL	1		42	111E-1212	CONNECTOR	3				
4	12165	PISTON SEAL	2		44	111H-06	PLUG	1				
5	12166	WIPER	1		45	112A-08	CONNECTOR	1				
6	17605	CYLINDER NUT	1		46	112B-08	CONNECTOR	1				
7	42122	PISTON	1		47	112B-10	CONNECTOR	1				
8	44243	O RING	1		48	112C-08	TEE	1				
9	44343	BACK-UP RING	1		49	9313 X 18	HOSE	2				
10	45889	BUFFER RING	1		50	9313 X 25	HOSE	2				
11	46020	CYLINDER BARREL - R.H.	1		51	9313 X 140	HOSE	2				
	46021	CYLINDER BARREL - L.H.	1		52	9730-2	BUSHING	2				
12	46034	PISTON ROD	1		53	14382 X 16	HOSE	1				
13	49393	GLAND	1		54	14382 X 28	HOSE	1				
14	49394	WEAR RING	1		55	16947	DIVIDER VALVE ASSEMBLY	1				
15	50A-1220	BOLT	1		56	23748	CUSHION VALVE	1				
16	28B-04	GREASE FITTING	1			26317	SEAL KIT FOR 23748 CUSHION VALVE	1				
	48870	REPAIR KIT FOR CYLINDERS 46018 & 46019 - INCLUDES ITEMS 2 TO 5, 8, 9, 10, 14 & 15	A.R.		57	28696 X 29	HOSE	1				
17	45760	STEERING CYLINDER ASSEMBLY - R.H. - INCLUDES ITEMS 18 TO 33	1	780/780A	58	41477	TUBE	1				
	45761	STEERING CYLINDER ASSEMBLY - L.H. - INCLUDES ITEMS 18 TO 33	1	780/780A	59	41539 X 38	HOSE	1				
					60	48849	HOSE	1				
					61	*51286	QUICK DISCONNECT COUPLER - MALE	1				
					62	*51287	QUICK DISCONNECT COUPLER - FEMALE (FOR TESTING)	1	In Toolbox			
					63	*51288	DUST CAP	1				
				64	*53567	FITTING - STEERING SUCTION	1					
				65	*53580	HOSE	1					
				66	53619	STEERING PRIORITY/RELIEF VALVE	1					
18	12A-216	O RING	1			*55249	SEAL KIT FOR 53619 - RELIEF VALVE INCLUDES O-RINGS AND BACK-UP RINGS	1				
19	12164	ROD SEAL	1									
20	12166	ROD WIPER	1									
21	17605	CYLINDER NUT	1		67	53620	CONNECTOR	1				
22	30344	WEAR RING	1		68	53621	HOSE	1				
23	43336	PISTON UNIRING	1		69	53623	CONNECTOR	1				
24	44243	O RING	1		70	53624	HOSE	1				
25	44343	BACK-UP RING	1		71	*53629	TUBE	1				
26	45736	PISTON	1		72	*110L-20	CONNECTOR	1				
27	45762	CYLINDER BARREL - R.H.	1		73	*111E-2020	CONNECTOR	1				
	45781	CYLINDER BARREL - L.H.	1		74	14A-04	LOCKWASHER	2				
28	45889	BUFFER RING	1		75	30A-04	NUT	2				
29	46127	PISTON ROD	1		76	50A-0516	BOLT	2				
30	49393	GLAND	1		77	14A-05	LOCKWASHER	2				
31	49394	WEAR RING	1		78	14A-06	LOCKWASHER	2				
32	50A-1220	BOLT	1		79	30A-06	NUT	2				
33	29B-02	GREASE FITTING	1		80		SEE STEERING UNIT & COLUMN 1-9	REF.				
	48871	REPAIR KIT FOR CYLINDERS 45760 & 45761 - INCLUDES ITEMS 18 TO 20, 23 TO 25, 28, 31 & 32	A.R.		81		SEE HYDRAULIC PUMP 4-1	REF.				
34	22B-06	CLAMP	1		82		SEE PRIMARY HYDRAULIC CIRCUITS IN SECT. 4	REF.				
35	106C-0808	CONNECTOR	1									
36	111B-0808	CONNECTOR	9		83		SEE CLUTCH MASTER CYLINDER 5-7	REF.				
37	111B-0810	CONNECTOR	2									
38	111B-1008	CONNECTOR	1		84		SEE BRAKE MASTER CYLINDER 9-3	REF.				

CHAMPION ROAD MACHINERY



710 thru 750A

780/780A

R.H.

L.H.

EFFECTIVE SERIAL NUMBER(S) 20805, 20806, 20808 & UP
 NUMERO(S) DE SÉRIE EFFECTIF(S)
 NUMERO(S) DE SERIE EFECTIVO(S)

700 SERIES
 SERIE 700

SECTION 1 PAGE 11
 SECCION 1 PAGINA 11

AUGUST 1990

STEERING CYLINDER & CIRCUIT and BOOSTER CIRCUITS

PARA LA LISTA DE LAS PIEZAS - VÉER AL VERSO

POUR LA LISTE DES PIÈCES - VOIR AU VERSO

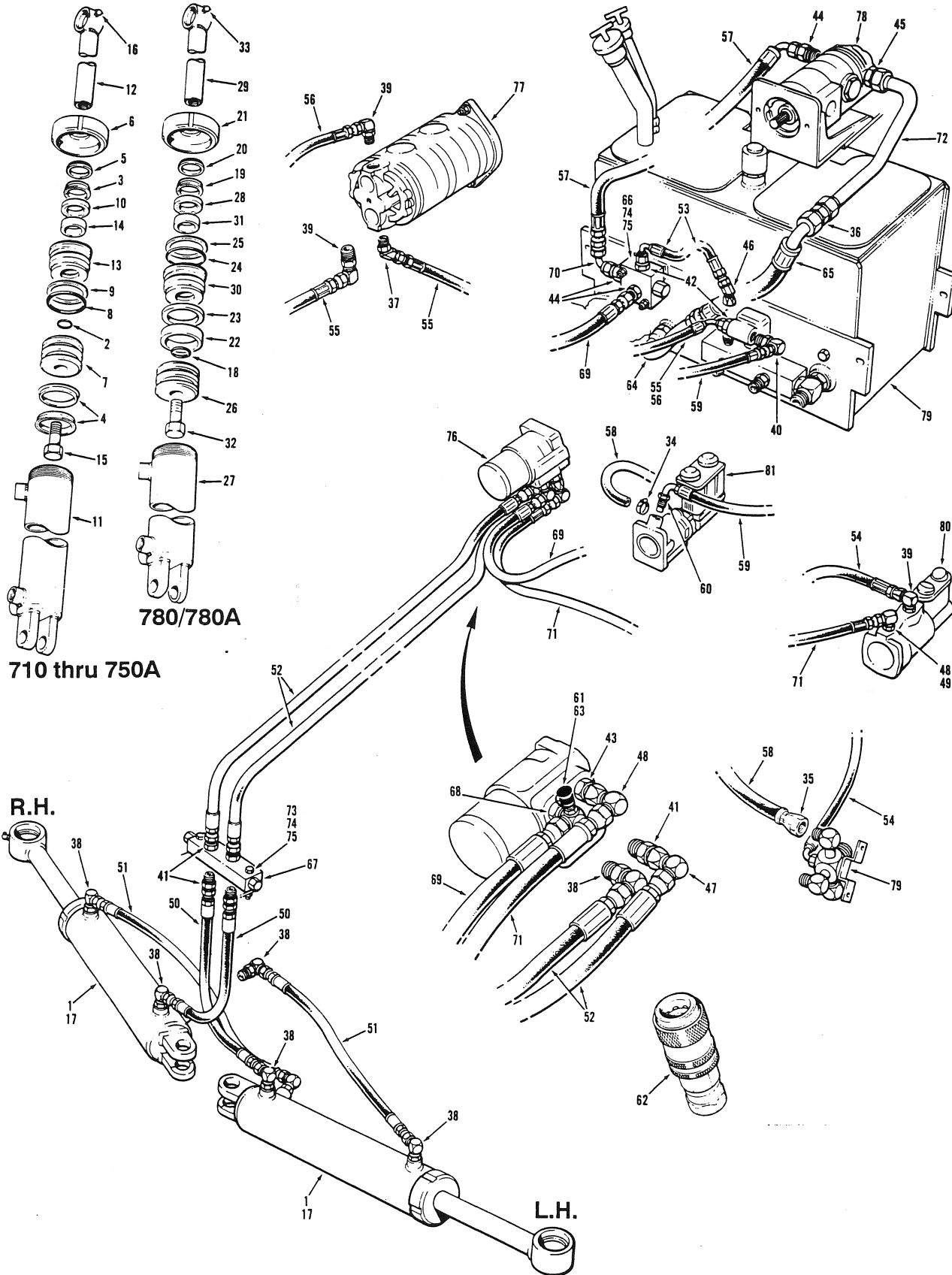
FOR LIST OF PARTS - TURN THIS PAGE

9

ISSUE No.
 N° D'ÉMISSION
 N° DE EDICION

SECTION SECCION		PAGE PAGINA		ISSUE No. N° D'ÉMISSION N° DE EDICION		STEERING CYLINDER & CIRCUIT and BOOSTER CIRCUITS			AUGUST1990	
No. N° N°	PART No. N° DE PIÈCE N° DE PIEZA	DESCRIPTION DESCRIPTION DESCRIPCION	No. REQ. N° REQ. N° REQ.	REMARKS REMARQUES NOTAS	No. N° N°	PART No. N° DE PIÈCE N° DE PIEZA	DESCRIPTION DESCRIPTION DESCRIPCION	No. REQ. N° REQ. N° REQ.	REMARKS REMARQUES NOTAS	
1	46018	STEERING CYLINDER ASSEMBLY - R.H. - INCLUDES ITEMS 2 TO 16	1	710 thru 750A	40	*111B-0812	CONNECTOR	1		
	46019	STEERING CYLINDER ASSEMBLY - L.H. - INCLUDES ITEMS 2 TO 16	1	710 thru 750A	41	*111E-0808	CONNECTOR	5		
	48870	REPAIR KIT FOR CYLINDERS 46018 & 46019 - INCLUDES ITEMS 2 TO 5, 8, 9, 10, 14 & 15	A.R.		42	*111E-0812	CONNECTOR	2		
2	12A-216	O RING	1		43	111E-1008	CONNECTOR	1		
3	12164	ROD SEAL	1		44	111E-1212	CONNECTOR	3		
4	12165	PISTON SEAL	2		45	111E-2020	CONNECTOR	1		
5	12166	WIPER	1		46	112A-08	CONNECTOR	1		
6	17605	CYLINDER NUT	1		47	112B-08	CONNECTOR	1		
7	42122	PISTON	1		48	112B-10	CONNECTOR	1		
8	44243	O RING	1		49	112C-08	TEE	1		
9	44343	BACK-UP RING	1		50	*9313 x 22	HOSE	2		
10	45889	BUFFER RING	1		51	9313 x 25	HOSE	2		
11	46020	CYLINDER BARREL - R.H.	1		52	9313 x 140	HOSE	2		
	46021	CYLINDER BARREL - L.H.	1		53	14382 x 14	HOSE	1		
12	46034	PISTON ROD	1		54	14382 x 28	HOSE	1		
13	49393	GLAND	1		55	*14382 x 36	HOSE	1	740/740A	
14	49394	WEAR RING	1		56	*14382 x 60	HOSE	1	710 thru 730A	
15	50A-1220	BOLT	1		57	*28696 x 27	HOSE	1		
16	28B-04	GREASE FITTING	1		58	*41539 x 68	HOSE	1		
	45760	STEERING CYLINDER ASSEMBLY - R.H. - INCLUDES ITEMS 18 TO 33	1	780/780A	59	*48849 x 106	HOSE	1		
17	45761	STEERING CYLINDER ASSEMBLY - L.H. - INCLUDES ITEMS 18 TO 33	1	780/780A	60	*12A-013	O RING	1		
	48871	REPAIR KIT FOR CYLINDERS 45760 & 45761 - INCLUDES ITEMS 18 TO 20, 23 TO 25, 28, 31 & 32	A.R.		61	51286	QUICK DISCONNECT COUPLER - MALE	1		
18	12A-216	O RING	1		62	51287	QUICK DISCONNECT COUPLER - FEMALE (FOR TESTING)	1	IN TOOLBOX	
19	12164	ROD SEAL	1		63	51288	DUST CAP	1		
20	12166	ROD WIPER	1		64	53567	FITTING - STEERING SUCTION	1		
21	17605	CYLINDER NUT	1		65	53580	HOSE	1		
22	30344	WEAR RING	1		66	53619	STEERING PRIORITY/RELIEF VALVE	1		
23	43336	PISTON UNIRING	1			55249	SEAL KIT FOR 53619 - RELIEF VALVE INCLUDES O RINGS AND BACK-UP RINGS	1		
24	44243	O RING	1		67	23748	CUSHION VALVE	1		
25	44343	BACK-UP RING	1			26317	SEAL KIT FOR 23748 - CUSHION VALVE	1		
26	45736	PISTON	1		68	53620	CONNECTOR	1		
27	45762	CYLINDER BARREL - R.H.	1		69	53621	HOSE	1		
	45781	CYLINDER BARREL - L.H.	1		70	53623	CONNECTOR	1		
28	45889	BUFFER RING	1		71	53624	HOSE	1		
29	46127	PISTON ROD	1		72	53629	TUBE	1		
30	49393	GLAND	1		73	*50A-0616	BOLT	2		
31	49394	WEAR RING	1		74	14A-06	LOCKWASHER	4		
32	50A-1220	BOLT	1		75	30A-06	NUT	4		
33	29B-02	GREASE FITTING	1		76		STEERING UNIT & COLUMN	REF.	SECTION 1 PAGE 9	
34	*22B-16	CLAMP	1		77		HYDRAULIC PUMP - MAIN	REF.	SECTION 4 PAGE 1	
35	106C-0808	CONNECTOR	1		78		HYDRAULIC PUMP - TRANSMISSION/STEERING	REF.	SECTION 4 PAGE 41	
36	110L-20	CONNECTOR	1		79		MAIN HYDRAULIC CIRCUITS	REF.	SECTION 4	
37	*111A-810	CONNECTOR	1	740/740A	80		CLUTCH MASTER CYLINDER	REF.	SECTION 5 PAGE 7	
38	111B-0808	CONNECTOR	7		81		BRAKE MASTER CYLINDER	REF.	SECTION 9 PAGE 5	
39	111B-0810	CONNECTOR	3	710 thru 730A						
	111B-0810	CONNECTOR	2	740/740A						

CHAMPION ROAD MACHINERY



EFFECTIVE SERIAL NUMBER(S) 21006, 21078, 21080, 21082,
 NUMERO(S) DE SÉRIE EFFECTIF(S) 21084, 21086, 21088,
 NUMERO(S) DE SERIE EFECTIVO(S) 21092 & UP

700 SERIES
 SERIE 700

SECTION 1 PAGE 11
 SECCION 1 PAGINA 11

SECTION SECCION		PAGE PAGINA	ISSUE No. N° D'ÉMISSION N° DE EDICION	STEERING CYLINDER & CIRCUIT and BOOSTER CIRCUITS				NOVEMBER 1990	
No. N° N°	PART No. N° DE PIÈCE N° DE PIEZA	DESCRIPTION DESCRIPTION DESCRIPCION	No. REQ. N° REQ. N° REQ.	REMARKS REMARQUES NOTAS	No. N° N°	PART No. N° DE PIÈCE N° DE PIEZA	DESCRIPTION DESCRIPTION DESCRIPCION	No. REQ. N° REQ. N° REQ.	REMARKS REMARQUES NOTAS
1	46018	STEERING CYLINDER ASSEMBLY - R.H. - INCLUDES ITEMS 2 TO 16	1	710 thru 750A	40	111B-0812	CONNECTOR	1	
	46019	STEERING CYLINDER ASSEMBLY - L.H. - INCLUDES ITEMS 2 TO 16	1	710 thru 750A	41	111E-0808	CONNECTOR	5	
	48870	REPAIR KIT FOR CYLINDERS 46018 & 46019 - INCLUDES ITEMS 2 TO 5, 8, 9, 10, 14 & 15	1		42	111E-0812	CONNECTOR	2	
2	12A-216	O RING	1		43	111E-1008	CONNECTOR	1	
3	12164	ROD SEAL	1		44	111E-1212	CONNECTOR	3	
4	12165	PISTON SEAL	2		45	111E-2020	CONNECTOR	1	
5	12166	WIPER	1		46	112A-08	CONNECTOR	1	
6	17605	CYLINDER NUT	1		47	112B-08	CONNECTOR	1	
7	42122	PISTON	1		48	112B-10	CONNECTOR	1	
8	44243	O RING	1		49	*111F-1010	EXTENDED CONNECTOR	1	
9	44343	BACK-UP RING	1		50	*9313 x 22	HOSE	2	
10	45889	BUFFER RING	1		51	9313 x 25	HOSE	2	
11	46020	CYLINDER BARREL - R.H.	1		52	9313 x 140	HOSE	2	
	46021	CYLINDER BARREL - L.H.	1		53	14382 x 14	HOSE	1	
12	46034	PISTON ROD	1		54	*14382 x 30	HOSE	1	
13	49393	GLAND	1		55	*14382 x 30	HOSE	1	740/740A
14	49394	WEAR RING	1		56	14382 x 60	HOSE	1	710 thru 730A
15	50A-1220	BOLT	1		57	28696 x 27	HOSE	1	
16	28B-04	GREASE FITTING	1		58	41539 x 68	HOSE	1	
17	45760	STEERING CYLINDER ASSEMBLY - R.H. - INCLUDES ITEMS 18 TO 33	1	780/780A	59	*48849 x 116	HOSE	1	
	45761	STEERING CYLINDER ASSEMBLY - L.H. - INCLUDES ITEMS 18 TO 33	1	780/780A	60	12A-013	O RING	1	
	48871	REPAIR KIT FOR CYLINDERS 45760 & 45761 - INCLUDES ITEMS 18 TO 20, 23 TO 25, 28, 31 & 32	1		61	51286	QUICK DISCONNECT COUPLER - MALE	1	
18	12A-216	O RING	1		62	51287	QUICK DISCONNECT COUPLER - FEMALE (FOR TESTING)	1	IN TOOLBOX
19	12164	ROD SEAL	1		63	51288	DUST CAP	1	
20	12166	ROD WIPER	1		64	53567	FITTING - STEERING SUCTION	1	
21	17605	CYLINDER NUT	1		65	53580	HOSE	1	
22	30344	WEAR RING	1		66	53619	STEERING PRIORITY/RELIEF VALVE	1	
23	43336	PISTON UNIRING	1			55249	SEAL KIT FOR 53619 - RELIEF VALVE INCLUDES O RINGS AND BACK-UP RINGS	1	
24	44243	O RING	1		67	23748	CUSHION VALVE	1	
25	44343	BACK-UP RING	1			26317	SEAL KIT FOR 23748 - CUSHION VALVE	1	
26	45736	PISTON	1		68	53620	CONNECTOR	1	
27	45762	CYLINDER BARREL - R.H.	1		69	53621	HOSE	1	
	45781	CYLINDER BARREL - L.H.	1		70	53623	CONNECTOR	1	
28	45889	BUFFER RING	1		71	53624	HOSE	1	
29	46127	PISTON ROD	1		72	53629	TUBE	1	
30	49393	GLAND	1		73	50A-0616	BOLT	2	
31	49394	WEAR RING	1		74	14A-06	LOCKWASHER	4	
32	50A-1220	BOLT	1		75	30A-06	NUT	4	
33	29B-02	GREASE FITTING	1		76		STEERING UNIT & COLUMN	REF.	SECT 1 PG 9
34	*22D-06	CLAMP	1		77		HYDRAULIC PUMP - MAIN	REF.	SECT 3 PG 1
35	106C-0808	CONNECTOR	1		78		HYDRAULIC PUMP - TRANSMISSION/STEERING	REF.	SECT 4 PG 41
36	110L-20	CONNECTOR	1		79		MAIN HYDRAULIC CIRCUITS	REF.	SECT 4
37	*111A-0810	CONNECTOR	1	740/740A	80		CLUTCH MASTER CYLINDER	REF.	SECT 5 PG 7
38	111B-0808	CONNECTOR	7		81		BRAKE MASTER CYLINDER	REF.	SECT 9 PG 5
39	111B-0810	CONNECTOR	3	710 thru 730A					
	111B-0810	CONNECTOR	2	740/740A					

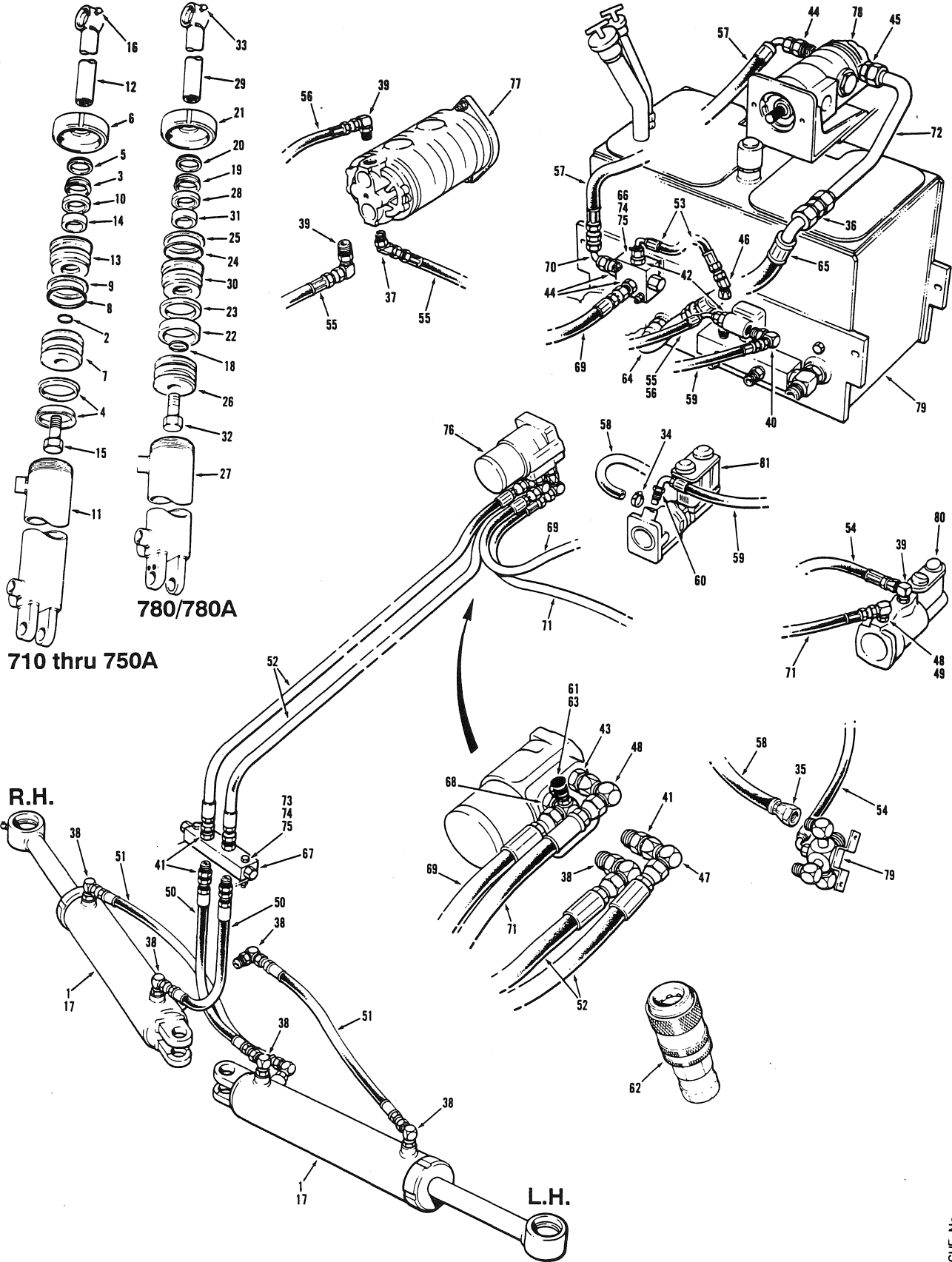
CHAMPION ROAD MACHINERY

FEBRUARY 1991

STEERING CYLINDER & CIRCUIT and BOOSTER CIRCUITS

FOR LIST OF PARTS - TURN THIS PAGE
 POUR LA LISTE DES PIÈCES - VOIR AU VERSO
 PARA LA LISTA DE LAS PIEZAS - VER AL VERSO

11



EFFECTIVE SERIAL NUMBER(S) 21053 & UP
 NUMERO(S) DE SÉRIE EFFECTIF(S)
 NUMERO(S) DE SERIE EFFECTIVO(S)

700 SERIES
 SERIE 700

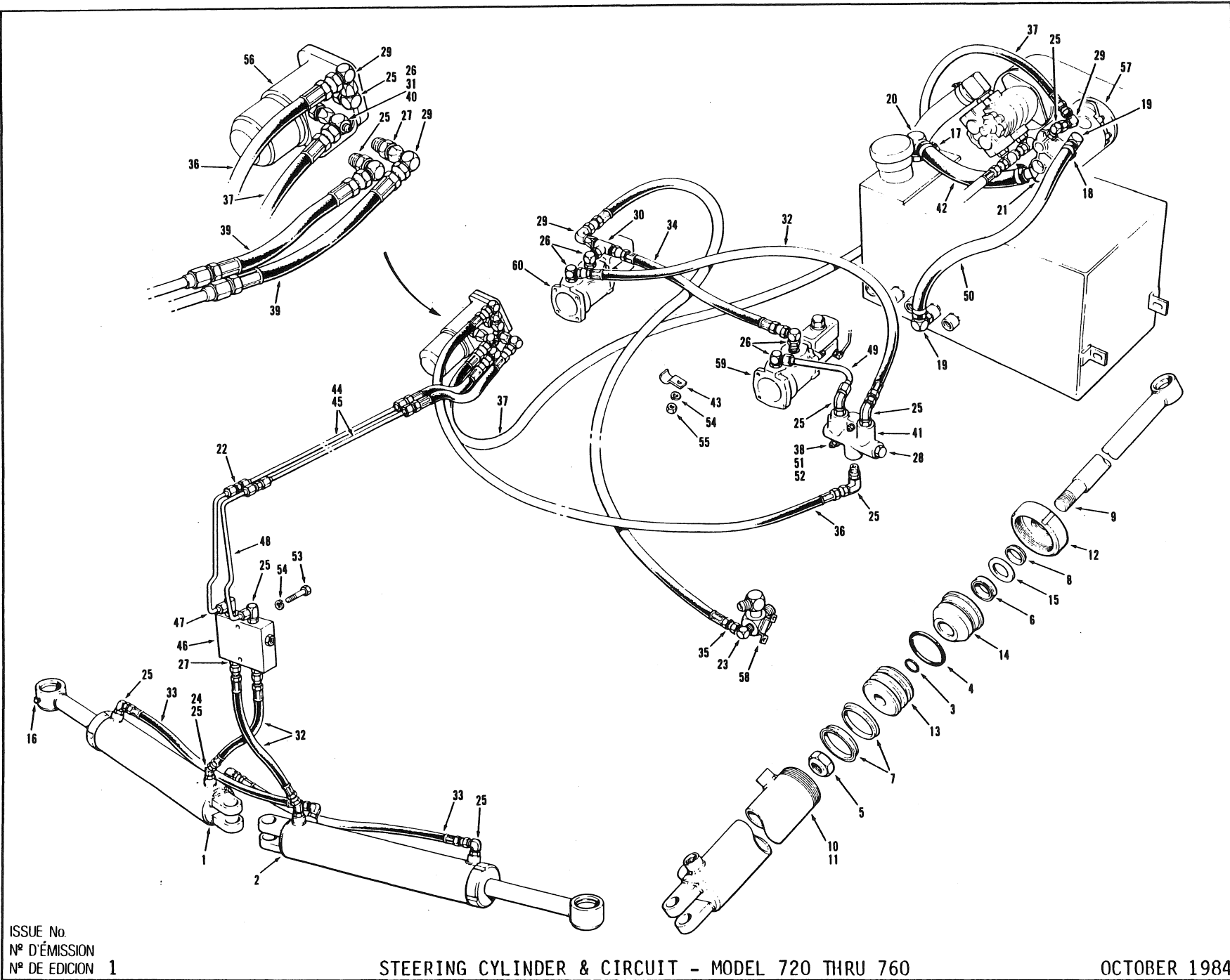
SECTION 1

PAGE 11
 PAGINA 11

ISSUE No.
 N° D'ÉMISSION
 N° DE EDICIÓN

SECTION SECCION		PAGE PAGINA	ISSUE No. N° D'ÉMISSION N° DE EDICION	STEERING CYLINDER & CIRCUIT and BOOSTER CIRCUITS				FERRUARY 1991	
No. N° N°	PART No. N° DE PIÈCE N° DE PIEZA	DESCRIPTION DÉSCRIPTION DESCRIPCION	No. REQ. N° REQ. N° REQ.	REMARKS REMARQUES NOTAS	No. N° N°	PART No. N° DE PIECE N° DE PIEZA	DESCRIPTION DÉSCRIPTION DESCRIPCION	No. REQ. N° REQ. N° REQ.	REMARKS REMARQUES NOTAS
1	46018	STEERING CYLINDER ASSEMBLY - R.H. - INCLUDES ITEMS 2 TO 16	1	710 thru 750A	40	111B-0812	CONNECTOR	1	
	46019	STEERING CYLINDER ASSEMBLY - L.H. - INCLUDES ITEMS 2 TO 16	1	710 thru 750A	41	111E-0808	CONNECTOR	5	
	48870	REPAIR KIT FOR CYLINDERS 46018 & 46019 - INCLUDES ITEMS 2 TO 5, 8, 9, 10, 14 & 15	1		42	111E-0812	CONNECTOR	2	
2	12A-216	O RING	1		43	111E-1008	CONNECTOR	1	
3	12164	ROD SEAL	1		44	111E-1212	CONNECTOR	3	
4	12165	PISTON SEAL	2		45	111E-2020	CONNECTOR	1	
5	12166	WIPER	1		46	112A-08	CONNECTOR	1	
6	17605	CYLINDER NUT	1		47	112B-08	CONNECTOR	1	
7	42122	PISTON	1		48	112B-10	CONNECTOR	1	
8	44243	O RING	1		49	111F-1010	EXTENDED CONNECTOR	1	
9	44343	BACK-UP RING	1		50	*9313 x 18	HOSE	2	
10	45889	BUFFER RING	1		51	9313 x 25	HOSE	2	
11	46020	CYLINDER BARREL - R.H.	1		52	9313 x 140	HOSE	2	
	46021	CYLINDER BARREL - L.H.	1		53	14382 x 14	HOSE	1	
12	46034	PISTON ROD	1		54	14382 x 30	HOSE	1	
13	49393	GLAND	1		55	14382 x 30	HOSE	1	740/740A
14	49394	WEAR RING	1		56	14382 x 60	HOSE	1	710 thru 730A
15	50A-1220	BOLT	1		57	28696 x 27	HOSE	1	
16	28B-04	GREASE FITTING	1		58	41539 x 68	HOSE	1	
17	*59079	STEERING CYLINDER ASSEMBLY - R.H. - INCLUDES ITEMS 18 TO 33	1	780/780A	59	48849 x 116	HOSE	1	
	*59080	STEERING CYLINDER ASSEMBLY - L.H. - INCLUDES ITEMS 18 TO 33	1	780/780A	60	12A-013	O RING	1	
	48871	REPAIR KIT FOR CYLINDERS 59079 & 59080 - INCLUDES ITEMS 18 TO 20, 23 TO 25, 28, 31 & 32	1		61	51286	QUICK DISCONNECT COUPLER - MALE	1	
18	12A-216	O RING	1		62	51287	QUICK DISCONNECT COUPLER - FEMALE (FOR TESTING)	1	IN TOOLBOX
19	12164	ROD SEAL	1		63	51288	DUST CAP	1	
20	12166	ROD WIPER	1		64	53567	FITTING - STEERING SUCTION	1	
21	17605	CYLINDER NUT	1		65	53580	HOSE	1	
22	30344	WEAR RING	1		66	53619	STEERING PRIORITY/RELIEF VALVE	1	
23	43336	PISTON UNIRING	1			55249	SEAL KIT FOR 53619 - RELIEF VALVE INCLUDES O RINGS AND BACK-UP RINGS	1	
24	44243	O RING	1		67	23748	CUSHION VALVE	1	
25	44343	BACK-UP RING	1			26317	SEAL KIT FOR 23748 - CUSHION VALVE	1	
26	45736	PISTON	1		68	53620	CONNECTOR	1	
27	*59081	CYLINDER BARREL - R.H.	1		69	53621	HOSE	1	
	*59082	CYLINDER BARREL - L.H.	1		70	53623	CONNECTOR	1	
28	45889	BUFFER RING	1		71	53624	HOSE	1	
29	*59083	PISTON ROD	1		72	53629	TUBE	1	
30	49393	GLAND	1		73	50A-0616	BOLT	2	
31	49394	WEAR RING	1		74	14A-06	LOCKWASHER	4	
32	50A-1220	BOLT	1		75	30A-06	NUT	4	
33	29B-02	GREASE FITTING	1		76		STEERING UNIT & COLUMN	REF.	Sect 1 Pg 9
34	22D-06	CLAMP	1		77		HYDRAULIC PUMP - MAIN	REF.	Sect 3 Pg 1
35	106C-0808	CONNECTOR	1		78		HYDRAULIC PUMP - TRANSMISSION/STEERING	REF.	Sect 4 Pg 41
36	110L-20	CONNECTOR	1		79		MAIN HYDRAULIC CIRCUITS	REF.	Sect 4
37	111A-0810	CONNECTOR	1	740/740A	80		CLUTCH MASTER CYLINDER	REF.	Sect 5 Pg 7
38	111B-0808	CONNECTOR	7		81		BRAKE MASTER CYLINDER	REF.	Sect 9 Pg 5
39	111B-0810	CONNECTOR	3	710 thru 730A					
	111B-0810	CONNECTOR	2	740/740A					

SECTION SECCION		PAGE PAGINA		ISSUE No. N° D'ÉMISSION N° DE EDICION		STEERING CYLINDER & CIRCUIT and BOOSTER CIRCUITS					MAY 1991	
No. N° N°	PART No. N° DE PIÈCE N° DE PIEZA	DESCRIPTION DESCRIPTION DESCRIPCION	No. REQ. N° REQ. N° REQ.	REMARKS REMARQUES NOTAS	No. N° N°	PART No. N° DE PIECE N° DE PIEZA	DESCRIPTION DESCRIPTION DESCRIPCION	No. REQ. N° REQ. N° REQ.	REMARKS REMARQUES NOTAS			
1	*59362	STEERING CYLINDER ASSEMBLY - R.H. - INCLUDES ITEMS 2 to 16	1	710 thru 750A	39	111B-0810	CONNECTOR	3	710 thru 730A			
	*59363	STEERING CYLINDER ASSEMBLY - L.H. - INCLUDES ITEMS 2 to 16	1	710 thru 750A	40	111B-0810	CONNECTOR	2	740/740A			
	48870	REPAIR KIT FOR CYLINDERS 59362 & 59363 - INCLUDES ITEMS 2 to 5, 8, 9, 10, 14 & 15	1		41	111E-0808	CONNECTOR	1				
2	12A-216	O-RING	1		42	111E-0812	CONNECTOR	5				
3	12164	ROD SEAL	1		43	111E-1008	CONNECTOR	2				
4	12165	PISTON SEAL	2		44	111E-1212	CONNECTOR	1				
5	12166	WIPER	1		45	111E-2020	CONNECTOR	3				
6	17605	CYLINDER NUT	1		46	112A-08	CONNECTOR	1				
7	42122	PISTON	1		47	112B-08	CONNECTOR	1				
8	44243	O RING	1		48	112B-10	CONNECTOR	1				
9	44343	BACK-UP RING	1		49	111F-1010	EXTENDED CONNECTOR	1				
10	45889	BUFFER RING	1		50	9313 x 18	HOSE	2				
11	46020	CYLINDER BARREL - R.H.	1		51	9313 x 25	HOSE	2				
	46021	CYLINDER BARREL - L.H.	1		52	9313 x 140	HOSE	2				
12	*59357	PISTON ROD	1		53	14382 x 14	HOSE	1				
13	49393	GLAND	1		54	14382 x 30	HOSE	1				
14	49394	WEAR RING	1		55	14382 x 30	HOSE	1	740/740A			
15	50A-1220	BOLT	1		56	14382 x 60	HOSE	1	710 thru 730A			
16	28B-04	GREASE FITTING	1		57	28696 x 27	HOSE	1				
17	59079	STEERING CYLINDER ASSEMBLY - R.H. - INCLUDES ITEMS 18 to 33	1	780/780A	58	41539 x 68	HOSE	1				
	59080	STEERING CYLINDER ASSEMBLY - L.H. - INCLUDES ITEMS 18 to 33	1	780/780A	59	48849 x 116	HOSE	1				
	48871	REPAIR KIT FOR CYLINDERS 59079 & 59080 - INCLUDES ITEMS 18 to 20, 23 to 25, 28, 31 & 32	1		60	12A-013	O RING	1				
18	12A-216	O-RING	1		61	51288	QUICK DISCONNECT COUPLER - MALE	1				
19	12164	ROD SEAL	1		62	51287	QUICK DISCONNECT COUPLER - FEMALE (FOR TESTING)	1	IN TOOLBOX			
20	12166	ROD WIPER	1		63	51288	DUST CAP	1				
21	17605	CYLINDER NUT	1		64	53567	FITTING - STEERING SUCTION	1				
22	30344	WEAR RING	1		65	53580	HOSE	1				
23	43336	PISTON UNIRING	1		66	53619	STEERING PRIORITY/RELIEF VALVE	1				
24	44243	O-RING	1			55249	SEAL KIT FOR 53619 - RELIEF VALVE INCLUDES O-RINGS AND BACK-UP RINGS	1				
25	44343	BACK-UP RING	1		67	23748	CUSHION VALVE	1				
26	45736	PISTON	1			26317	SEAL KIT FOR 23748 - CUSHION VALVE	1				
27	59081	CYLINDER BARREL - R.H.	1		68	53620	CONNECTOR	1				
	59082	CYLINDER BARREL - L.H.	1		69	53621	HOSE	1				
28	45889	BUFFER RING	1		70	53623	CONNECTOR	1				
29	59083	PISTON ROD	1		71	53624	HOSE	1				
30	49393	GLAND	1		72	53629	TUBE	1				
31	49394	WEAR RING	1		73	50A-0618	BOLT	2				
32	50A-1220	BOLT	1		74	14A-06	LOCKWASHER	4				
33	29B-02	GREASE FITTING	1		75	30A-06	NUT	4				
34	22D-06	CLAMP	1		76		STEERING UNIT & COLUMN	REF.	Sect 1 Pg 9			
35	106C-0808	CONNECTOR	1		77		HYDRAULIC PUMP - MAIN	REF.	Sect 3 Pg 1			
36	110L-20	CONNECTOR	1		78		HYDRAULIC PUMP - TRANSMISSION/STEERING	REF.	Sect 4 Pg 41			
37	111A-0810	CONNECTOR	1	740/740A	79		MAIN HYDRAULIC CIRCUITS	REF.	Sect 4			
38	111B-0808	CONNECTOR	7		80		CLUTCH MASTER CYLINDER	REF.	Sect 5 Pg 7			
					81		BRAKE MASTER CYLINDER	REF.	Sect 9 Pg 5			



EFFECTIVE SERIAL NUMBERS) 16224, 16245 & UP
 NUMEROSI DE SERIE EFFECTIVIS)
 NUMEROSI DE SERIE EFFECTIVOS)
 U.S. 2021-2 & UP

700 SERIES
 SERIE 700

SECTION 1 PAGE 13
 SECCION 1 PAGINA 13

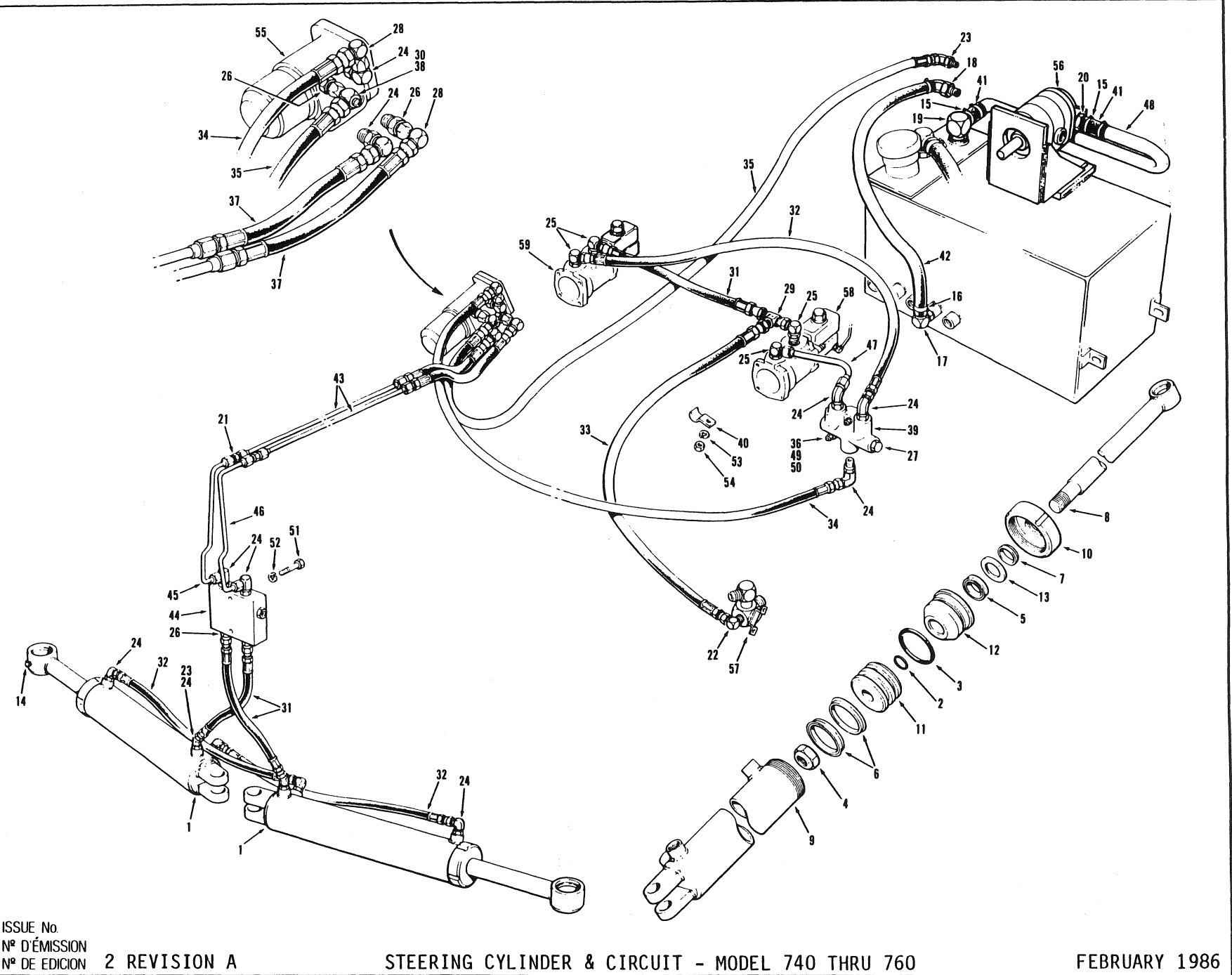
ISSUE No.
 N° D'ÉMISSION
 N° DE EDICION 1

STEERING CYLINDER & CIRCUIT - MODEL 720 THRU 760

OCTOBER 1984

FOR LIST OF PARTS - TURN THIS PAGE POUR LA LISTE DES PIÈCES - VOIR AU VERSO PARA LA LISTA DE LAS PIEZAS - VER AL VERSO

USE ONLY CHAMPION ROAD MACHINERY APPROVED PARTS



EFFECTIVE SERIAL NUMBER(S) 16798 UP TO 16892
 NUMEROS DE SERIE EFFECTIFS
 NUMEROS DE SERIE EFFECTIVOS
 U.S. 2420-2 UP TO 2465-2

700 SERIES
 SERIE 700

SECTION 1 PAGE 13
 SECTION 1 PAGINA 13

ISSUE No. 2 REVISION A
 N° D'ÉMISSION
 N° DE EDICION

STEERING CYLINDER & CIRCUIT - MODEL 740 THRU 760

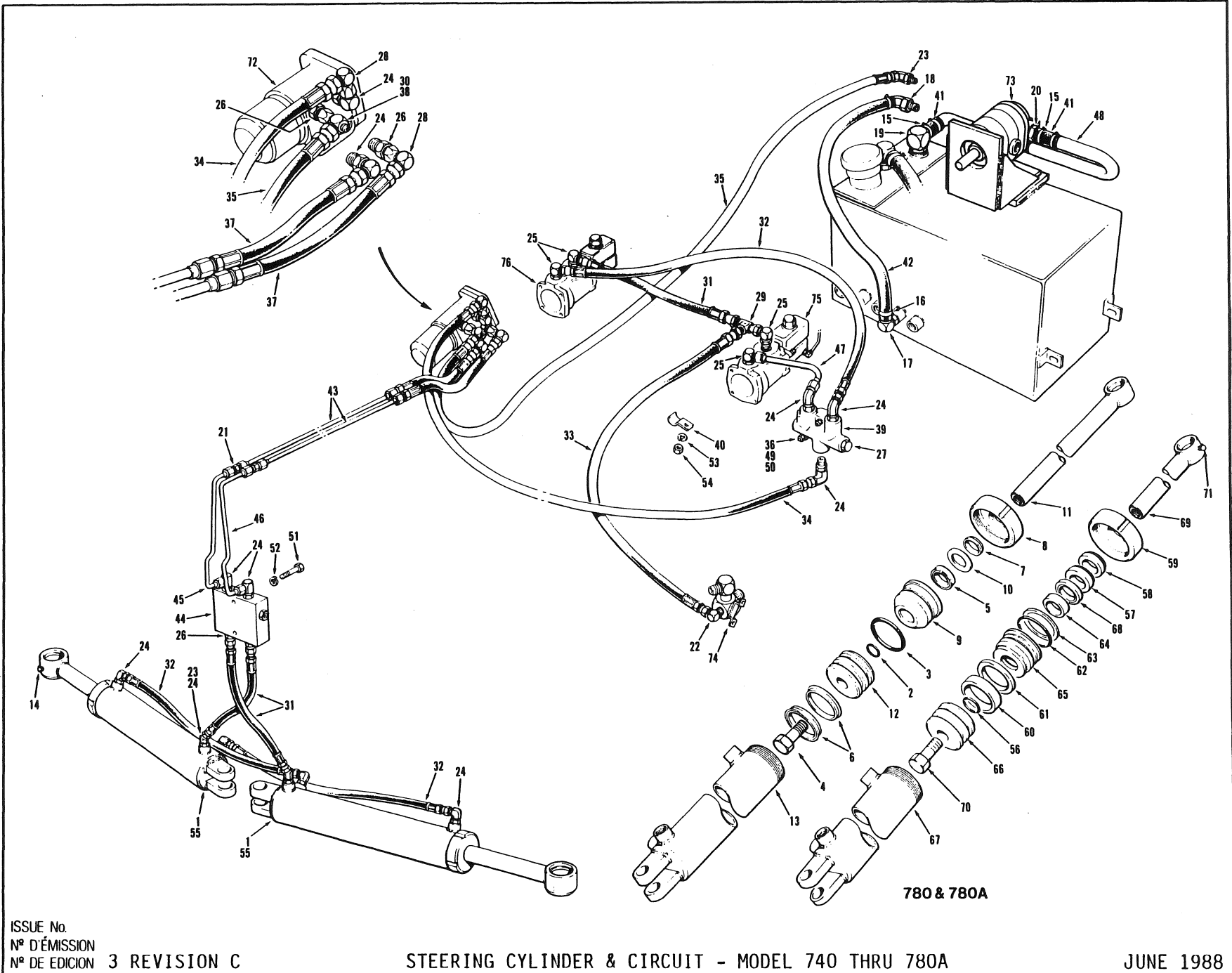
FEBRUARY 1986

FOR LIST OF PARTS - TURN THIS PAGE POUR LA LISTE DES PIÈCES - VOIR AU VERSO PARA LA LISTA DE LAS PIEZAS - VER AL VERSO

USE ONLY CHAMPION ROAD MACHINERY APPROVED PARTS

SECTION SECCION 1		PAGE PAGINA 14	ISSUE No. N° D'ÉMISSION N° DE EDICION	2 REVISION A	STEERING CYLINDER & CIRCUIT - MODEL 740 THRU 760			FEBRUARY 1986	
No. N° N°	PART No. N° DE PIÈCE N° DE PIEZA	DESCRIPTION DESCRIPTION DESCRIPCION	No. REQ N° REQ. N° REQ.	REMARKS REMARQUES NOTAS	No. N° N°	PART No. N° DE PIECE N° DE PIEZA	DESCRIPTION DESCRIPTION DESCRIPCION	No. REQ N° REQ. N° REQ.	REMARKS REMARQUES NOTAS
1	17030	STEERING CYLINDER ASSEMBLY - R.H.	1		43	23499	TUBE	2	740, 740A & 760
	17031	STEERING CYLINDER ASSEMBLY - L.H.	1						
2	12A-214	O RING	1		44	23748	CUSHION VALVE	1	
3	12A-334	O RING	1		45	23961	TUBE	1	
4	37H-16	LOCKNUT	1		46	23962	TUBE	1	
5	12164	ROD SEAL	1		47	41477	TUBE	1	
6	12165	PISTON SEAL	2		48	41924	TUBE	1	
7	12166	WIPER	1						
8	16911	PISTON ROD	1		49	14A-04	LOCKWASHER	2	
9	16912	CYLINDER BARREL - L.H.	1		50	30A-04	NUT	2	
	16913	CYLINDER BARREL - R.H.	1		51	50A-0516	BOLT	2	
10	17605	CYLINDER NUT	1		52	14A-05	LOCKWASHER	4	
11	17607	PISTON			53	14A-06	LOCKWASHER	3	
12	17607	GLAND	1		54	30A-06	NUT	3	
13	17613	WASHER	1						
14	29B-02	GREASE FITTING	1			26317	SEAL REPAIR KIT FOR 23748 CUSHION VALVE	A.R.	
	26408	REPAIR KIT FOR CYLINDER ASSY. - INCLUDES ITEMS 2 TO 8 & 14	A.R.		55		STEERING UNIT & COLUMN	REF.	SECTION 1 PAGE 10
15	22A-175	CLAMP	4		56		HYDRAULIC PUMP	REF.	SECTION 4 PAGE 2
16	22B-12	CLAMP	2		57		PRIMARY HYDRAULIC CIRCUIT	REF.	SECTION 4 PAGE 16
17	108A-1212	CONNECTOR	1		58		CLUTCH MASTER CYLINDER & BOOSTER ASSEMBLY	REF.	SECTION 5 PAGE 8
18	108B-1212	CONNECTOR	1		59		BRAKE MASTER CYLINDER & BOOSTER ASSEMBLY	REF.	SECTION 9 PAGE 4
19	108A-2020	CONNECTOR	1						
20	108C-2020	CONNECTOR	1						
21	110L-08	CONNECTOR	2						
22	110R-0808	CONNECTOR	1						
23	111A-0808	CONNECTOR	A.R.						
24	111B-0808	CONNECTOR	A.R.						
25	111B-0810	CONNECTOR	4						
26	111E-0808	CONNECTOR	4						
27	111H-06	PLUG	1						
28	112B-08	CONNECTOR	4						
29	112C-08	TEE	1						
30	115D-02	PLUG	1						
31	9313 X 18	HOSE	3						
32	9313 X 25	HOSE	3						
33	9313 X 28	HOSE	1						
34	9313 X 90	HOSE	1						
35	9313 X 223	HOSE	1						
36	9730-2	BUSHING	2						
37	14369 X 10.5	HOSE	2						
38	16424	CONNECTOR - C/W ITEM 30	1						
39	16947	DIVIDER VALVE ASSY.	1						
40	19244	CLAMP	3						
41	17162 X 3.5	HOSE	2						
42	32858 X 34	HOSE	1						

CHAMPION ROAD MACHINERY



780 & 780A

EFFECTIVE SERIAL NUMBER(S) 16893 TO 17932
 NUMEROS(S) DE SÉRIE EFFECTIFS(S)
 NUMEROS(S) DE SERIE EFECTIVOS(S)
 U.S. 2466-2 TO 2511-2

700 SERIES
 SERIE 700

SECTION 1 PAGE 13
 SECCION 1 PAGINA 13

ISSUE No. 3 REVISION C
 N° D'ÉMISSION
 N° DE EDICION

STEERING CYLINDER & CIRCUIT - MODEL 740 THRU 780A

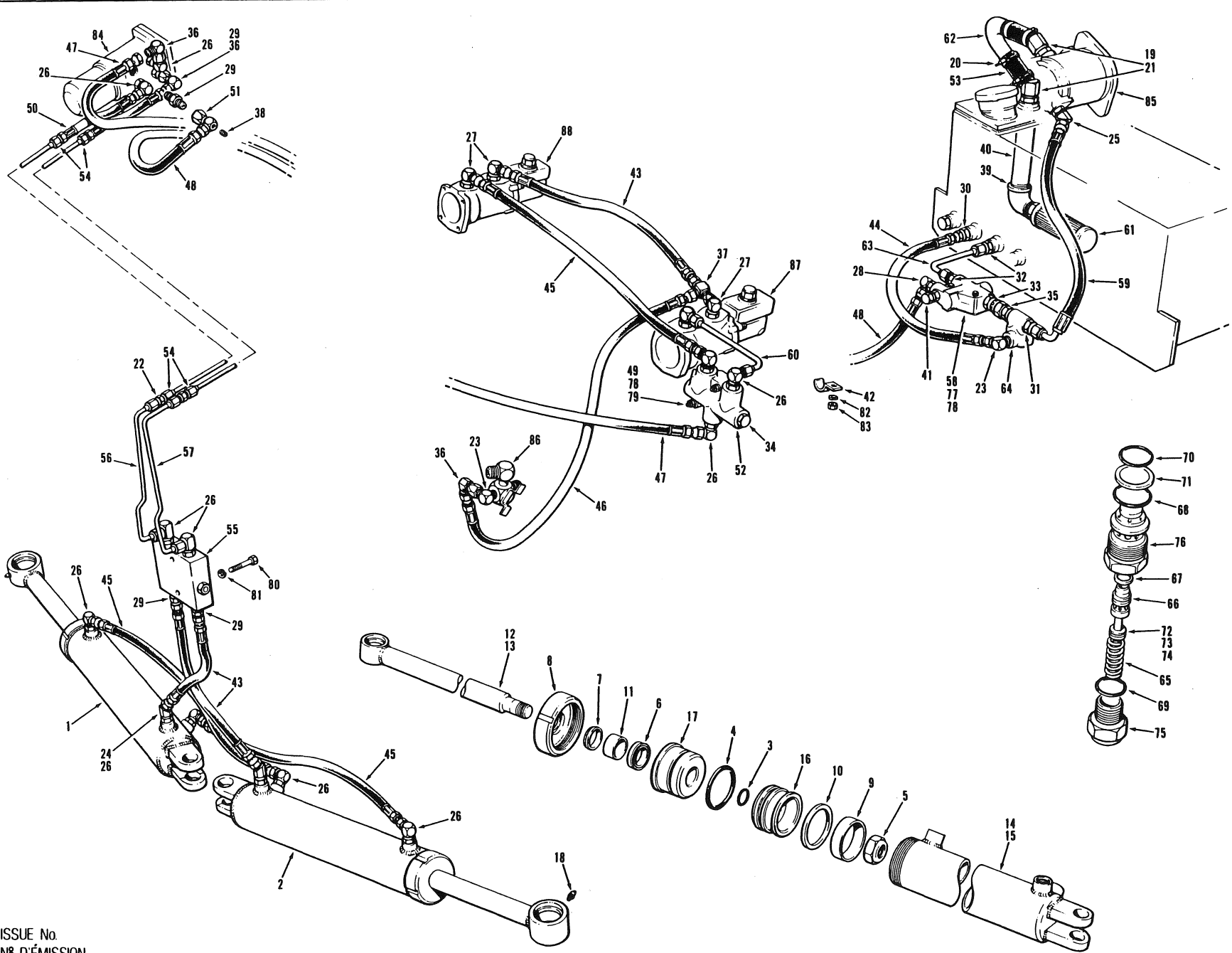
JUNE 1988

FOR LIST OF PARTS - TURN THIS PAGE POUR LA LISTE DES PIÈCES - VOIR AU VERSO PARA LA LISTA DE LAS PIEZAS - VÉR AL VERSO

USE ONLY CHAMPION APPROVED PARTS

SECTION SECCION 1		PAGE PAGINA 14	ISSUE No. N° D'ÉMISSION N° DE EDICION 3	REVISION C	STEERING CYLINDER & CIRCUIT - MODELS 740 THRU 780A				JUNE 1988	
No. N° N°	PART No. N° DE PIÈCE N° DE PIEZA	DESCRIPTION DESCRIPTION DESCRIPCION	No. REQ. N° REQ. N° REQ.	REMARKS REMARQUES NOTAS	No. N° N°	PART No. N° DE PIECE N° DE PIEZA	DESCRIPTION DESCRIPTION DESCRIPCION	No. REQ. N° REQ. N° REQ.	REMARKS REMARQUES NOTAS	
1	43103	STEERING CYLINDER - L.H.	1	EXCEPT 780 & 780A	41	17162 X 3.5	HOSE	2		
		INCLUDES ITEMS 2 TO 14			42	32858 X 34	HOSE	1		
	43104	STEERING CYLINDER - R.H.	1		43	23499	TUBE	2		
		INCLUDES ITEMS 2 TO 14			44	23748	CUSHION VALVE	1		
	2	12A-216	O RING		1	45	23961	TUBE	1	
	3	*44243	O RING		1	46	23962	TUBE	1	
	4	51A-1220	BOLT		1	47	41477	TUBE	1	
	5	12164	ROD SEAL		1	48	41924	TUBE	1	
	6	12165	PISTON SEAL		2					
	7	12166	WIPER		1	49	14A-04	LOCKWASHER	2	
	8	17605	CYLINDER NUT		1	50	30A-04	NUT	2	
	9	17607	GLAND		1	51	50A-0516	BOLT	2	
	10	17613	WASHER		1	52	14A-05	LOCKWASHER	4	
	11	42121	PISTON ROD		1	53	14A-06	LOCKWASHER	3	
12	42122	PISTON	1	54	30A-06	NUT	3			
13	43105	CYLINDER BARREL - L.H.	1	55	45760	STEERING CYLINDER ASSY. - R.H.	1	MODELS 780		
		INCLUDES ITEMS 56 TO 71						& 780A		
14	43106	CYLINDER BARREL - R.H.	1	55	45761	STEERING CYLINDER ASSY. - L.H.	1	MODELS 780		
		INCLUDES ITEMS 56 TO 71						& 780A		
	29B-02	GREASE FITTING	1							
	42975	REPAIR KIT FOR CYLINDER ASSY. - INCLUDES ITEMS 2 TO 7 & 10	A.R.		56	12A-216	O RING	1		
					57	12164	ROD SEAL	1		
					58	12166	ROD WIPER	1		
					59	17605	CYLINDER NUT	1		
15	22A-175	CLAMP	4		60	30344	WEAR RING	1		
16	22A-12	CLAMP	2		61	43336	PISTON UNIRING	1		
17	108A-1212	CONNECTOR	1		62	44243	O RING	1		
18	108B-1212	CONNECTOR	1		63	44343	BACK-UP RING	1		
19	108A-2020	CONNECTOR	1		64	44431	WEAR RING	1		
20	108C-2020	CONNECTOR	1		65	45733	GLAND	1		
21	110L-08	CONNECTOR	2		66	45736	PISTON	1		
22	110R-0808	CONNECTOR	1		67	45762	CYLINDER BARREL - R.H.	1		
23	111A-0808	CONNECTOR	A.R.		67	45781	CYLINDER BARREL - L.H.	1		
24	111B-0808	CONNECTOR	A.R.		68	45889	BURRER RING	1		
25	111B-0810	CONNECTOR	4		69	46127	PISTON RING	1		
26	111E-0808	CONNECTOR	4		70	50A-1220	BOLT	1		
27	111H-06	PLUG	1		71	29B-02	GREASE FITTING	1		
28	112B-08	CONNECTOR	4		71	26317	SEAL REPAIR KIT FOR 23748 CUSHION VALVE STEERING UNIT & COLUMN	A.R.	SECTION 1	
29	112C-08	TEE	1		72			REF.	PAGE 10	
30	115D-02	PLUG	1		73		HYDRAULIC PUMP	REF.	SECTION 4	
31	9313 X 18	HOSE	3		74		PRIMARY HYDRAULIC CIRCUIT	REF.	PAGE 2	
32	9313 X 25	HOSE	3		75		CLUTCH MASTER CYLINDER & BOOSTER ASSEMBLY	REF.	SECTION 4	
33	9313 X 28	HOSE	1		76		BRAKE MASTER CYLINDER & BOOSTER ASSEMBLY	REF.	PAGE 16	
34	9313 X 90	HOSE	1						SECTION 5	
35	9313 X 223	HOSE	1						PAGE 8	
36	9730-2	BUSHING	2						SECTION 9	
37	14369 X 10.5	HOSE	2						PAGE 4	
38	16424	CONNECTOR - C/W ITEM 30	1							
39	16947	DIVIDER VALVE ASSY.	1							
40	19244	CLAMP	3							

CHAMPION ROAD MACHINERY



EFFECTIVE SERIAL NUMBER(S) 16224,16245 UP TO 16341
 NUMEROS(S) DE SÉRIE EFFETIFS 16224,16245 UP TO 16341
 U.S. 2021-2 UP TO 2109-2

700 SERIES
 SERIE 700

SECTION 1 PAGE 15
 SECCION 1 PAGINA 15

ISSUE No. 1 REVISION A
 N° D'ÉMISSION 1 REVISION A
 Nº DE EDICION 1 REVISION A

STEERING CYLINDER & CIRCUIT - ALL WHEEL DRIVE

JANUARY 1986

FOR LIST OF PARTS - TURN THIS PAGE POUR LA LISTE DES PIÉCES - VOIR AU VERSO PARA LA LISTA DE LAS PIEZAS - VER AL VERSO

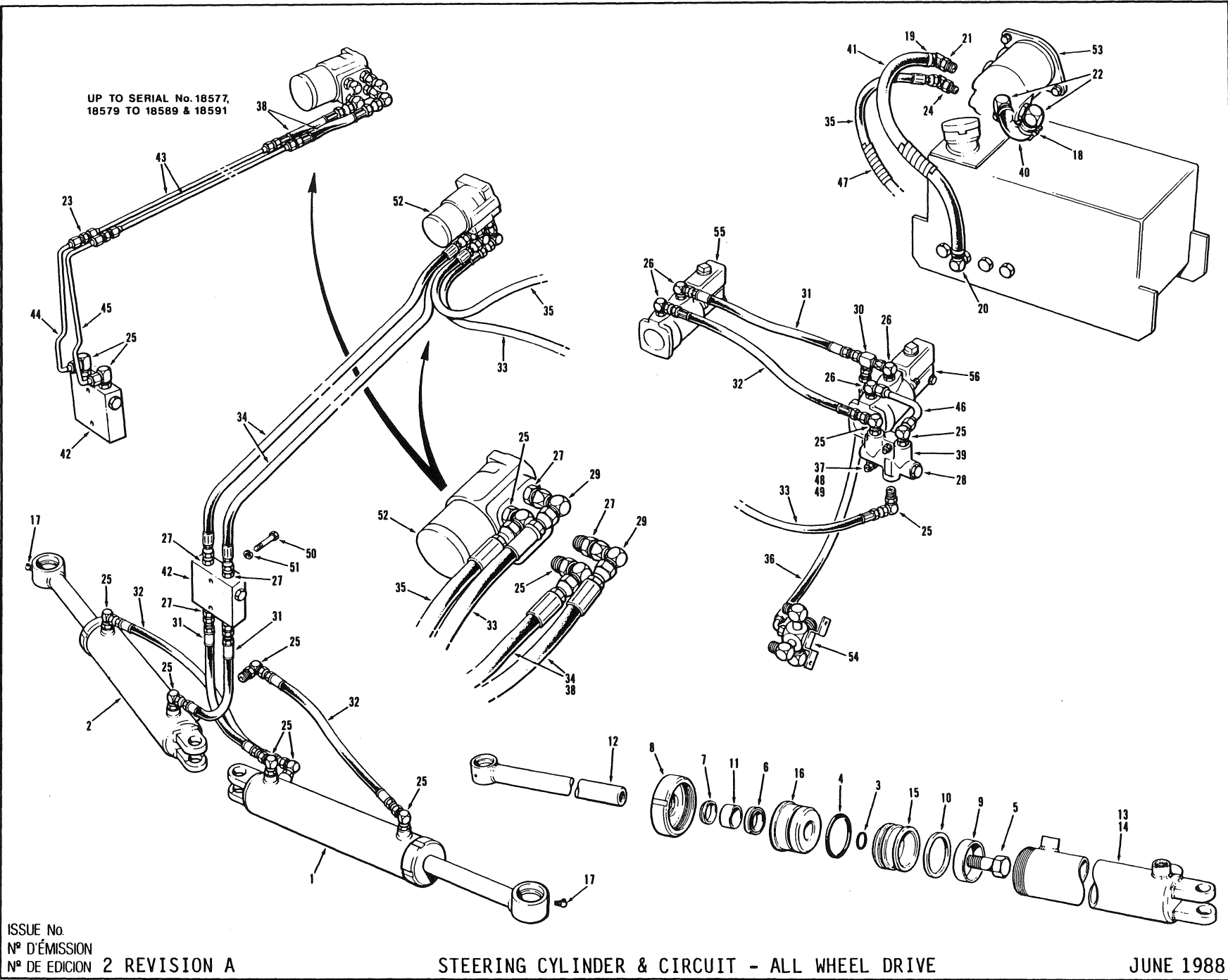
USE ONLY CHAMPION ROAD MACHINERY APPROVED PARTS

SECTION 1		PAGE 16		ISSUE No. 1 REVISION A		STEERING CYLINDER & CIRCUIT - ALL WHEEL DRIVE			JANUARY 1986	
No. N° N°	PART No. N° DE PIÈCE N° DE PIEZA	DESCRIPTION DESCRIPTION DESCRIPCION	No. REQ. N° REQ. N° REQ.	REMARKS REMARQUES NOTAS	No. N° N°	PART No. N° DE PIÈCE N° DE PIEZA	DESCRIPTION DESCRIPTION DESCRIPCION	No. REQ. N° REQ. N° REQ.	REMARKS REMARQUES NOTAS	
1	36225	STEERING CYLINDER ASSEMBLY - R.H. INCLUDES ITEMS 3 TO 12 & 15 & 16 & 17	1		47	9313 X 90	HOSE	1		
					48	9313 X 223	HOSE	1		
					49	9730-2	BUSHING	2		
2	36226	STEERING CYLINDER ASSEMBLY - L.H. INCLUDES ITEMS 3 TO 14 & 16 & 17	1		50	14369 X 10.5	HOSE	2		
					51	16424	CONNECTOR - C/W ITEM 37	1		
					52	16947	DIVIDER VALVE	1		
3	12A-214	O RING	1		53	17162 X 4	HOSE	2		
4	12A-334	O RING	1		54	23498	TUBE	2		
5	37H-16	LOCKNUT	1		55	23748	CUSHION VALVE	1		
6	12164	ROD SEAL	1		56	23961	TUBE	1		
7	12166	WIPER	1		57	23962	TUBE	1		
8	17605	CYLINDER NUT	1		58	27892	FLOW DIVIDER VALVE	1		
9	30344	PISTON RING	1		59	28696 X 36	HOSE	1		
10	30345	PISTON SEAL	1		60	32474	TUBE	1		
11	35304	WEAR RING	1		61	32668	STRAINER	1		
12	36219	PISTON ROD - R.H.	1		62	41458	TUBE	1		
13	36220	PISTON ROD - L.H.	1			41459	TUBE	1		
14	36222	CYLINDER BARREL - R.H.	1		63	26317	SEAL REPAIR KIT FOR 23748 CUSHION VALVE	A.R.		
15	36223	CYLINDER BARREL - L.H.	1							
16	36224	PISTON	1		64	40234	RELIEF VALVE ASSY. - C/W ITEMS 64 TO 75	1		
17	36279	GLAND	1		65	27552	SPRING	1		
18	29B-02	GREASE FITTING	1			27547	SERVICE KIT - C/W ITEMS 65 & 66	A.R.		
					66		POPPET	1		
19	12A-218	O RING	2		67		PISTON RING	1		
20	22A-175	CLAMP	4			27551	SEAL KIT - C/W ITEMS 67 TO 70			
21	108B-2020	CONNECTOR - C/W ITEM 16	2		68		O RING	1		
22	110L-08	CONNECTOR	2		69		O RING	1		
23	110R-0808	CONNECTOR	2		70		O RING	1		
24	111A-0808	CONNECTOR	A.R.		71		BACK-UP RING	1		
25	111A-1212	CONNECTOR	1		72		SHIM - 0.25mm	A.R.		
26	111B-0808	CONNECTOR	A.R.		73		SHIM - 0.51mm	A.R.		
27	111B-0810	CONNECTOR	4		74		SHIM - 1.02mm	A.R.		
28	111B-0812	CONNECTOR	1		75		CAP	1		
29	111E-0808	CONNECTOR	4		76		BODY	1		
30	111E-0812	CONNECTOR	1							
31	111E-1012	CONNECTOR	1		77	50A-0416	BOLT	2		
32	111E-1212	CONNECTOR	2		78	14A-04	LOCKWASHER	4		
33	111G-1012	ADAPTER	1		79	30A-04	NUT	2		
34	111H-06	PLUG	1		80	50A-0516	BOLT	2		
35	111P-10	NIPPLE	1		81	14A-05	LOCKWASHER	2		
36	112B-08	CONNECTOR	3		82	14A-06	LOCKWASHER	A.R.		
37	112C-08	TEE	1		83	30A-06	NUT	A.R.		
38	115D-02	PLUG	1							
39	115J-2424	ELBOW	1		84		STEERING UNIT & COLUMN	REF.	SECTION 1 PAGE 9/10	
40	115Z-2420	NIPPLE	1							
41	115AB-08	CAP	1		85		HYDRAULIC PUMP	REF.	SECTION 4 PAGE 1/2	
42	8570	CLIP	A.R.		86		TEE ASSEMBLY	REF.	SECTION 4 PAGE 31/32	
43	9313 X 18	HOSE	3							
44	9312 X 22	HOSE	1		87		CLUTCH MASTER CYLINDER	REF.	SECTION 5 PAGE 7/8	
45	9313 X 25	HOSE	3							
46	9313 X 28	HOSE	1		88		BRAKE MASTER CYLINDER	REF.	SECTION 9 PAGE 3/4	

EFFECTIVE SERIAL NUMBERS) 16342 & UP
 NUMEROS) DE SERIE EFFECTIFS)
 NUMEROS) DE SERIE EFFECTIVOS)
 U.S. 2110-2 & UP

700 SERIES
 SERIE 700

SECTION 1 PAGE 15
 SECCION 1 PAGINA 15



FOR LIST OF PARTS - TURN THIS PAGE

POUR LA LISTE DES PIÈCES - VOIR AU VERSO

PARA LA LISTA DE LAS PIEZAS - VER AL VERSO

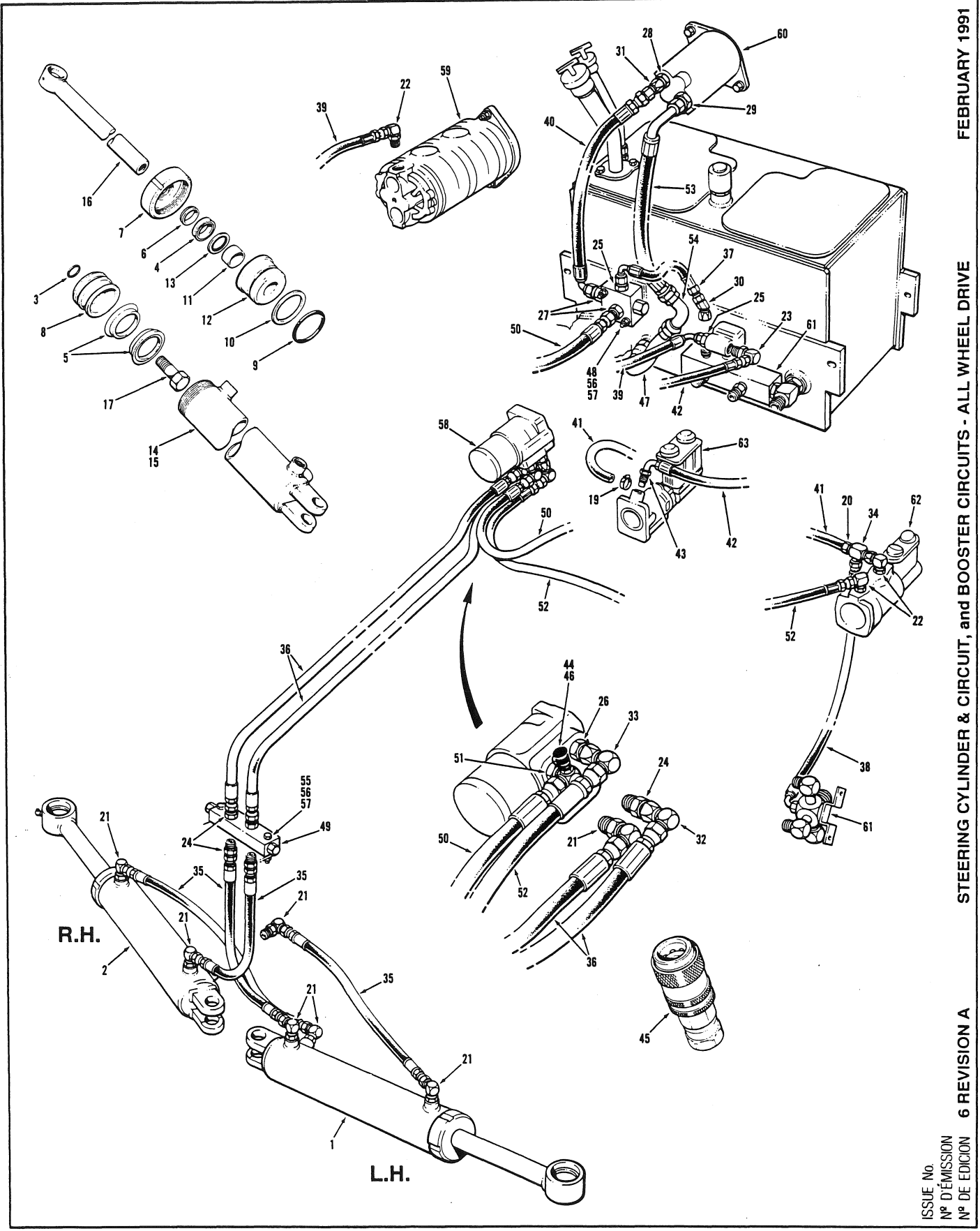
USE ONLY CHAMPION ROAD MACHINERY APPROVED PARTS

SECTION SECCION 1		PAGE PAGINA 16	ISSUE No. N° D'ÉMISSION N° DE EDICION 2 REVISION A	STEERING CYLINDER & CIRCUIT - ALL WHEEL DRIVE				JUNE 1988	
No. N°	PART No. N° DE PIÈCE N° DE PIEZA	DESCRIPTION DESCRIPTION DESCRIPCION	No. REQ. N° REQ. N° REQ.	REMARKS REMARQUES NOTAS	No. N°	PART No. N° DE PIECE N° DE PIEZA	DESCRIPTION DESCRIPTION DESCRIPCION	No. REQ. N° REQ. N° REQ.	REMARKS REMARQUES NOTAS
1	43221	STEERING CYLINDER ASSEMBLY - L.H. INCLUDES ITEMS 3 TO 13 & 15 & 16	1		42	23748	CUSHION VALVE	1	
2	43222	STEERING CYLINDER ASSEMBLY - R.H. INCLUDES ITEMS 3 TO 12 & 14 & 15 & 16	1		43	23498	TUBE	2	UP TO S/N 18577, 18579 TO 18589, 18591
					44	23961	TUBE	1	
					45	23962	TUBE	1	
3	12A-216	O RING	1		46	41477	TUBE	1	
4	*44243	O RING	1		47	41646 X 6	HOSE WRAP	2	
5	51A-1220	BOLT	1		48	14A-04	LOCKWASHER	2	
6	12164	ROD SEAL	1		49	30A-04	NUT	2	
7	12166	WIPER	1		50	50A-0516	BOLT	2	
8	17605	CYLINDER NUT	1		51	14A-05	LOCKWASHER	2	
9	30344	PISTON RING	1			26317	REPAIR KIT FOR 23748 CUSHION VALVE	A.R.	
10	30345	PISTON SEAL	1						
11	35304	WEAR RING	1		52		STEERING UNIT & COLUMN	REF.	SECTION 1 PAGE 10
12	42121	PISTON ROD	1						
13	43223	CYLINDER BARREL - L.H.	1						
14	43224	CYLINDER BARREL - R.H.	1		53		HYDRAULIC PUMP	REF.	SECTION 4 PAGE 2
15	42205	PISTON	1						
16	36279	GLAND	1		54		PRIMARY HYDRAULIC CIRCUIT	REF.	SECTION 4 PAGE 32
17	29B-02	GREASE FITTING	1						
18	22A-175	CLAMP	2		55		BRAKE MASTER CYLINDER & BOOSTER ASSEMBLY	REF.	SECTION 9 PAGE 4
19	22B-12	CLAMP	2						
20	108A-1212	CONNECTOR	1		56		CLUTCH MASTER CYLINDER & BOOSTER ASSEMBLY	REF.	SECTION 5 PAGE 8
21	108B-1212	CONNECTOR	1						
22	108A-2020	CONNECTOR	2						
23	110L-08	CONNECTOR	2						
24	111A-0808	CONNECTOR	1						
25	111B-0808	CONNECTOR	A.R.						
26	111B-0810	CONNECTOR	4						
27	111E-0808	CONNECTOR	6						
28	111H-08	PLUG	1						
29	112B-08	CONNECTOR	2						
30	112C-08	TEE	1						
31	9313 X 18	HOSE	3						
32	9313 X 25	HOSE	3						
33	9313 X 90	HOSE	1						
34	*9313 X 140	HOSE	2	S/N 18578 18590, 18592 & UP					
35	9313 X 223	HOSE	1						
36	14382 X 28	HOSE	1						
37	9730-2	BUSHING	2						
38	14369 X 10.5	HOSE	1						
39	16947	DIVIDER VALVE ASSY.	1						
40	17162 X 12	HOSE	1						
41	32858 X 30	HOSE	1						

SECTION SECCION 1		PAGE PAGINA 16	ISSUE No. N° D'ÉMISSION 3 N° DE EDICION	STEERING CYLINDER & CIRCUIT - ALL WHEEL DRIVE				JUNE 1988	
No. N° N°	PART No. N° DE PIÈCE N° DE PIEZA	DESCRIPTION DÉSCRIPTION DESCRIPCION	No. REQ N° REQ. N° REQ.	REMARKS REMARQUES NOTAS	No. N° N°	PART No. N° DE PIECE N° DE PIEZA	DESCRIPTION DÉSCRIPTION DESCRIPCION	No. REQ N° REQ. N° REQ.	REMARKS REMARQUES NOTAS
1	*46111	STEERING CYLINDER ASSEMBLY - L.H. INCLUDES ITEMS 3 TO 13 & 15 TO 18	1		44	14A-04	LOCKWASHER	2	
2	*46112	STEERING CYLINDER ASSEMBLY - R.H. INCLUDES ITEMS 3 TO 14 & 16 TO 18	1		45	30A-04	NUT	2	
					46	50A-0516	BOLT	2	
					47	14A-05	LOCKWASHER	2	
3	12A-216	O RING	1		48		STEERING UNIT & COLUMN	REF.	SECTION 1 PAGE 10
4	12164	ROD SEAL	1						
5	*12165	PISTON SEAL	2		49		HYDRAULIC PUMP	REF.	SECTION 4 PAGE 2
6	12166	WIPER	1						
7	17605	CYLINDER NUT	1						
8	*42122	PISTON	1		50		PRIMARY HYDRAULIC CIRCUIT	REF.	SECTION 4 PAGE 32
9	*44243	O RING	1						
10	*44343	BACK-UP RING	1						
11	*49394	WEAR RING	1						
12	*49393	GLAND	1		51		BRAKE MASTER CYLINDER & BOOSTER ASSY.	REF.	SECTION 9 PAGE 4
13	*45889	BUFFER RING	1						
14	*46360	CYLINDER BARREL - L.H.	1		52		CLUTCH MASTER CYLINDER & BOOSTER ASSY.	REF.	SECTION 5 PAGE 8
15	*46361	CYLINDER BARREL - R.H.	1						
16	*46359	PISTON ROD	1						
17	*50A-1220	BOLT	1						
18	*28B-04	GREASE FITTING	1						
	*48870	REPAIR KIT FOR CYLINDER ASSY. - INCLUDES ITEMS 3 TO 6, 9 TO 11, 13 & 17	A.R.						
19	22A-175	CLAMP	2						
20	22B-12	CLAMP	2						
21	108A-1212	CONNECTOR	1						
22	108A-2020	CONNECTOR	2						
23	108B-1212	CONNECTOR	1						
24	111A-0808	CONNECTOR	1						
25	111B-0808	CONNECTOR	A.R.						
26	111B-0810	CONNECTOR	4						
27	111E-0808	CONNECTOR	4						
28	111H-08	PLUG	1						
29	112B-08	CONNECTOR	2						
30	112C-08	TEE	1						
31	9313 X 18	HOSE	12						
32	*9313 X 22	HOSE	3						
33	9313 X 90	HOSE	1						
34	*9313 X 140	HOSE	2						
35	9313 X 223	HOSE	1						
36	9730-2	BUSHING	2						
37	14382 X 28	HOSE	1						
38	16947	DIVIDER VALVE ASSEMBLY	1						
39	17162 X 12	HOSE	1						
40	23748	CUSHION VALVE	2						
41	*32858 X 30	HOSE	1						
42	41477	TUBE	1						
43	41646 X 6	HOSE WRAP	1						
	26317	SEAL REPAIR KIT FOR 23748 CUSHION VALVE	A.R.						

SECTION SECCION		PAGE PAGINA		ISSUE No. N° D'ÉMISSION N° DE EDICION		STEERING CYLINDER & CIRCUIT - ALL WHEEL DRIVE			MARCH 1989	
No. N° N°	PART No. N° DE PIÈCE N° DE PIEZA	DESCRIPTION DÉSCRIPTION DESCRIPCION	No. REQ N° REQ. N° REQ.	REMARKS REMARQUES NOTAS	No. N° N°	PART No. N° DE PIECE N° DE PIEZA	DESCRIPTION DÉSCRIPTION DESCRIPCION	No. REQ N° REQ. N° REQ.	REMARKS REMARQUES NOTAS	
1	46111	STEERING CYLINDER ASSEMBLY - L.H. - INCLUDES ITEMS 3 TO 13 & 15 TO 18	1		33	9313X18	HOSE	2		
					34	9313X22	HOSE	2		
					35	9313X90	HOSE	1		
2	46112	STEERING CYLINDER ASSEMBLY - R.H. - INCLUDES ITEMS 3 TO 14 & 16 TO 18	1		36	9313X140	HOSE	2		
					37	9313X223	HOSE	1		
					38	9730-2	BUSHING	2		
3	12A-216	O RING	1		39	14382X28	HOSE	1		
4	12164	ROD SEAL	1		40	16947	DIVIDER VALVE ASSEMBLY	1		
5	12165	PISTON SEAL	2		41	17162X12	HOSE	1		
6	12166	WIPER	1		42	23748	CUSHION VALVE	1		
7	17605	CYLINDER NUT	1		43	32858X30	HOSE	1		
8	42122	PISTON	1		44	41477	TUBE	1		
9	44243	O RING	1		45	*41539X38	HOSE	1		
10	44343	BACK-UP RING	1		46	41646X6	HOSE WRAP	1		
11	49394	WEAR RING	1		47	*48849	HOSE	1		
12	49393	GLAND	1							
13	45889	BUFFER RING	1			26317	SEAL REPAIR KIT FOR 23748 CUSION VALVE	A.R.		
14	46360	CYLINDER BARREL - L.H.	1							
15	46361	CYLINDER BARREL - R.H.	1		48	14A-04	LOCKWASHER	2		
16	46359	PISTON ROD	1		49	30A-04	NUT	2		
17	50A-1220	BOLT	1		50	50A-0516	BOLT	2		
18	28B-04	GREASE FITTING	1		51	14A-05	LOCKWASHER	2		
	48870	REPAIR KIT FOR CYLINDER ASSEMBLY - INCLUDES ITEMS 3 TO 6, 9 TO 11, 13 & 17	A.R.		52		STEERING UNIT & COLUMN	REF.	SECTION 1 PAGE 10	
19	22A-175	CLAMP	2		53		HYDRAULIC PUMP	REF.	SECTION 4 PAGE 2	
20	22B-12	CLAMP	2							
21	*22B-16	CLAMP	1							
22	*106C-0808	CONNECTOR	1		54		PRIMARY HYDRAULIC CIRCUIT	REF.	SECTION 4 PAGE 32	
23	108A-1212	CONNECTOR	2							
24	108A-2020	CONNECTOR	1							
25	108B-1212	CONNECTOR	1		55		BRAKE MASTER CYLINDER & BOOSTER ASSEMBLY	REF.	SECTION 9 PAGE 4	
26	111A-0808	CONNECTOR	1							
27	111B-0808	CONNECTOR	A.R.							
28	111B-0810	CONNECTOR	2		56		CLUTCH MASTER CYLINDER & BOOSTER ASSEMBLY	REF.	SECTION 5 PAGE 8	
29	111E-0808	CONNECTOR	4							
30	111H-08	PLUG	1							
31	112B-08	CONNECTOR	2							
32	112C-08	TEE	1							

SECTION SECCION	1	PAGE PAGINA	16	ISSUE No. N° D'ÉMISSION N° DE EDICION	5	STEERING CYLINDER & CIRCUIT - ALL WHEEL DRIVE				MARCH 1990
No. N° N°	PART No. N° DE PIÈCE N° DE PIEZA	DESCRIPTION DÉSCRIPTION DESCRIPCION	No. REQ. N° REQ. N° REQ.	REMARKS REMARQUES NOTAS	No. N° N°	PART No. N° DE PIÈCE N° DE PIEZA	DESCRIPTION DÉSCRIPTION DESCRIPCION	No. REQ. N° REQ. N° REQ.	REMARKS REMARQUES NOTAS	
1	46111	STEERING CYLINDER ASSEMBLY - L.H. - INCLUDES ITEMS 3 TO 13 & 15 TO 18	1		38	*14382 x 16	HOSE	1		
					39	14382 x 28	HOSE	1		
					40	16947	DIVIDER VALVE ASSEMBLY	1		
2	46112	STEERING CYLINDER ASSEMBLY - R.H. - INCLUDES ITEMS 3 TO 14 & 16 TO 18	1		41	23748	CUSHION VALVE	1		
	48870	REPAIR KIT FOR CYLINDER ASSEMBLIES - INCLUDES ITEMS 3 TO 6, 9 TO 11, 13 & 17	A.R.			26317	SEAL KIT FOR 23748 CUSHION VALVE	1		
					42	41477	TUBE	1		
3	12A-216	O-RING	1		43	41539 x 38	HOSE	1		
4	12164	ROD SEAL	1		44	48849	HOSE	1		
5	12165	PISTON SEAL	2		45	*51286	QUICK DISCONNECT COUPLING - MALE	1		
6	12166	WIPER	1		46	*51287	QUICK DISCONNECT COUPLING - FEMALE (for testing)	1	In Toolbox	
7	17605	CYLINDER NUT	1		47	*51288	CAP	1		
8	42122	PISTON	1		48	*53567	FITTING - STEERING SUCTION	1		
9	44243	O-RING	1		49	*53619	STEERING PRIORITY/RELIEF VALVE	1		
10	44343	BACK-UP RING	1			*55249	SEAL KIT FOR 53619 RELIEF VALVE - INCLUDES O-RINGS AND BACK-UP RINGS	1		
11	49394	WEAR RING	1							
12	49393	GLAND	1		50	*53621	HOSE	1		
13	45889	BUFFER RING	1		51	*53622	CONNECTOR	1		
14	46360	CYLINDER BARREL - L.H.	1		52	*53623	CONNECTOR	1		
15	46361	CYLINDER BARREL - R.H.	1		53	*53624	HOSE	1		
16	46359	PISTON ROD	1		54	*54230	HOSE	1		
17	50A-1220	BOLT	1		55	*54231	HOSE	1		
18	28B-04	GREASE FITTING	1							
19	*22D-06	CLAMP	1		56	14A-04	LOCKWASHER	2		
20	106C-0808	CONNECTOR	1		57	30A-04	NUT	2		
21	111B-0808	CONNECTOR	10		58	50A-0516	BOLT	2		
22	111B-0810	CONNECTOR	2		59	14A-05	LOCKWASHER	2		
23	111E-0808	CONNECTOR	4		60	*14A-06	LOCKWASHER	2		
24	*111E-0812	CONNECTOR	1		61	*30A-06	NUT	1		
25	*111E-1008	CONNECTOR	1							
26	*111E-1212	CONNECTOR	2		62		STEERING UNIT & COLUMN	REF.	SECTION 1 PAGE 10	
27	*111E-1216	CONNECTOR	1							
28	*111E-2020	CONNECTOR	1		63		HYDRAULIC PUMP	REF.	SECTION 4 PAGE 2	
29	111H-06	CONNECTOR	1							
30	*112A-08	CONNECTOR	1		64		PRIMARY HYDRAULIC CIRCUIT	REF.	SECTION 4 PAGE 32	
31	112B-08	CONNECTOR	1							
32	*112B-10	CONNECTOR	1		65		CLUTCH MASTER CYLINDER & BOOSTER ASSEMBLY	REF.	SECTION 5 PAGE 8	
33	112C-08	TEE	1							
34	9313 x 18	HOSE	2		66		BRAKE MASTER CYLINDER & BOOSTER ASSEMBLY	REF.	SECTION 9 PAGE 4	
35	9313 x 22	HOSE	2							
36	9313 x 140	HOSE	2							
37	9730-2	BUSHING	2							

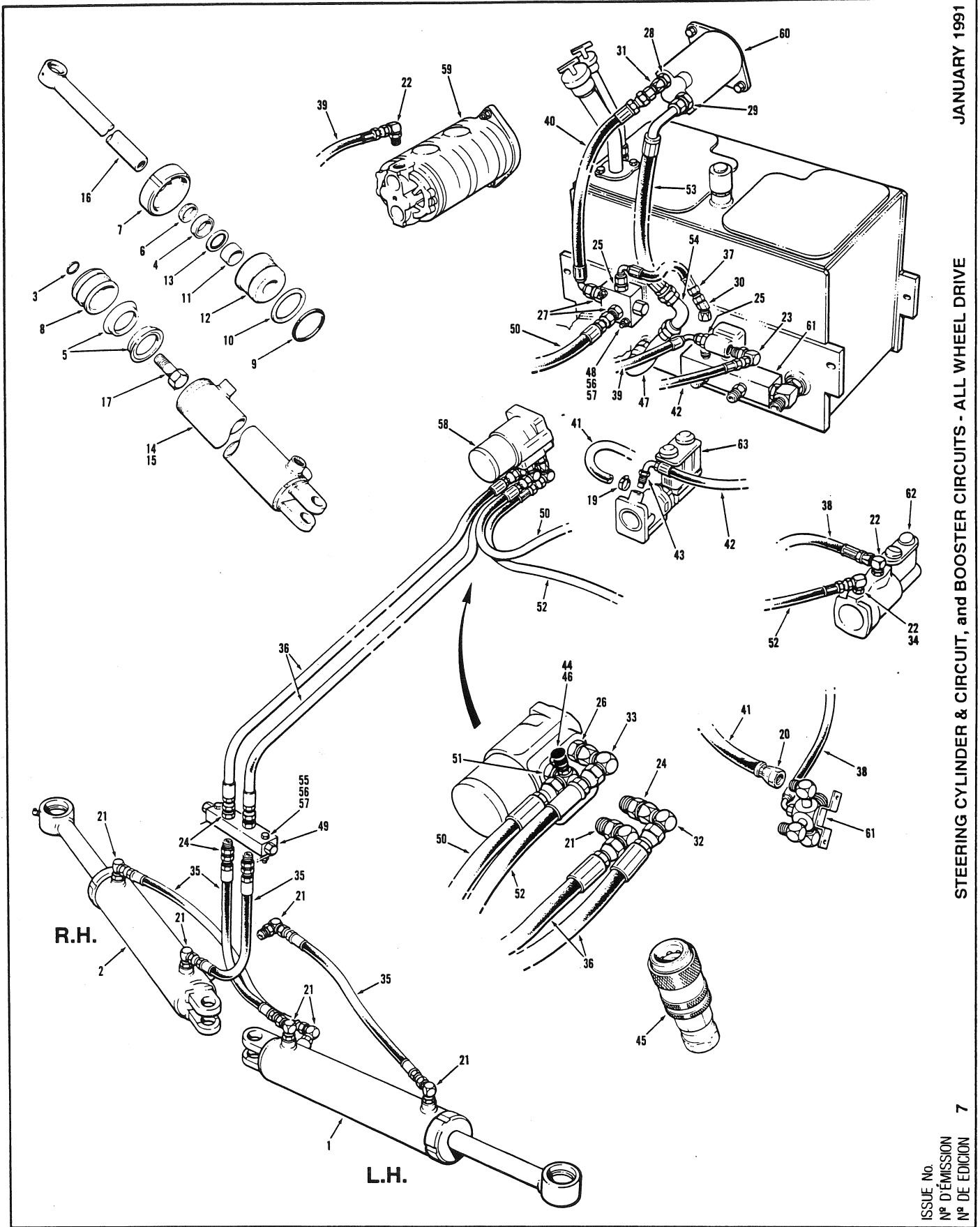


EFFECTIVE SERIAL NUMBER(S) 20811 to 21133
 NUMERO(S) DE SÉRIE EFFECTIF(S)
 NUMERO(S) DE SERIE EFECTIVO(S)

700 SERIES
SERIE 700

SECTION 1 **PAGE 15**
SECCION 1 **PAGINA 15**

SECTION SECCION	1	PAGE PAGINA	16	ISSUE No. N° D'ÉMISSION N° DE EDICION	6 REVISION A	STEERING CYLINDER & CIRCUIT and BOOSTER CIRCUITS - ALL WHEEL DRIVE	FEBRUARY 1991		
No. N° N°	PART No. N° DE PIÈCE N° DE PIEZA	DESCRIPTION DESCRIPTION DESCRIPCION	No. REQ. N° REQ. N° REQ.	REMARKS REMARQUES NOTAS	No. N° N°	PART No. N° DE PIECE N° DE PIEZA	DESCRIPTION DESCRIPTION DESCRIPCION	No. REQ. N° REQ. N° REQ.	REMARKS REMARQUES NOTAS
1	46111	STEERING CYLINDER ASSEMBLY - L.H. - INCLUDES ITEMS 3 TO 13 & 15 TO 18	1		39	14382 x 60	HOSE	1	
2	46112	STEERING CYLINDER ASSEMBLY - R.H. - INCLUDES ITEMS 3 TO 14 & 16 TO 18	1		40	28696 x 24	HOSE	1	
	48870	REPAIR KIT FOR CYLINDER ASSEMBLIES - INCLUDES ITEMS 3 TO 6, 9 TO 11, 13 & 17	1 per		41	*41539 x 68	HOSE	1	
3	12A-216	O-RING	1		42	48849 x 106	HOSE	1	
4	12164	ROD SEAL	1		43	12A-013	O RING	1	
5	12165	PISTON SEAL	2		44	51286	QUICK DISCONNECT COUPLING - MALE	1	
6	12166	WIPER	1		45	51287	QUICK DISCONNECT COUPLING - FEMALE (for testing)	1	In Toolbox
7	17605	CYLINDER NUT	1		46	51288	CAP	1	
8	42122	PISTON	1		47	53567	FITTING - STEERING SUCTION	1	
9	44243	O-RING	1		48	53619	STEERING PRIORITY/RELIEF VALVE	1	
10	44343	BACK-UP RING	1			55249	SEAL KIT FOR 53619 VALVE	1	
11	49394	WEAR RING	1		49	23748	CUSHION VALVE	1	
12	49393	GLAND	1			26317	SEAL KIT FOR 23748 CUSHION VALVE		
13	45889	BUFFER RING	1		50	53621	HOSE	1	
14	46360	CYLINDER BARREL - L.H.	1		51	53622	CONNECTOR	1	
15	46361	CYLINDER BARREL - R.H.	1		52	53624	HOSE	1	
16	46359	PISTON ROD	1		53	54230	HOSE	1	
17	50A-1220	BOLT	1		54	54993	ELBOW	1	
18	28B-04	GREASE FITTING	1		55	50A-0616	BOLT	2	
19	22D-16	CLAMP	1		56	14A-06	LOCKWASHER	4	
20	106C-0808	CONNECTOR	1		57	30A-06	NUT	4	
21	111B-0808	CONNECTOR	7		58		STEERING UNIT & COLUMN	REF.	SECTION 1 PAGE 9
22	111B-0810	CONNECTOR	3		59		HYDRAULIC PUMP - MAIN	REF.	SECTION 4 PAGE 1
23	111B-0812	CONNECTOR	1		60		HYDRAULIC PUMP - TRANSMISSION/STEERING	REF.	SECTION 4 PAGE 41
24	111E-0808	CONNECTOR	5		61		MAIN HYDRAULIC CIRCUIT	REF.	SECTION 4 PAGE 17
25	111E-0812	CONNECTOR	2		62		CLUTCH MASTER CYLINDER & BOOSTER ASSEMBLY	REF.	SECTION 5 PAGE 7
26	111E-1008	CONNECTOR	1		63		BRAKE MASTER CYLINDER & BOOSTER ASSEMBLY	REF.	SECTION 9 PAGE 3
27	111E-1212	CONNECTOR	1						
28	111E-1216	CONNECTOR	1						
29	111E-2020	CONNECTOR	1						
30	112A-08	CONNECTOR	1						
31	112A-12	CONNECTOR	1						
32	112B-08	CONNECTOR	1						
33	112B-10	CONNECTOR	1						
34	112C-08	TEE	1						
35	9313 x 22	HOSE	4						
36	9313 x 140	HOSE	2						
37	14382 x 14	HOSE	1						
38	14382 x 28	HOSE	1						



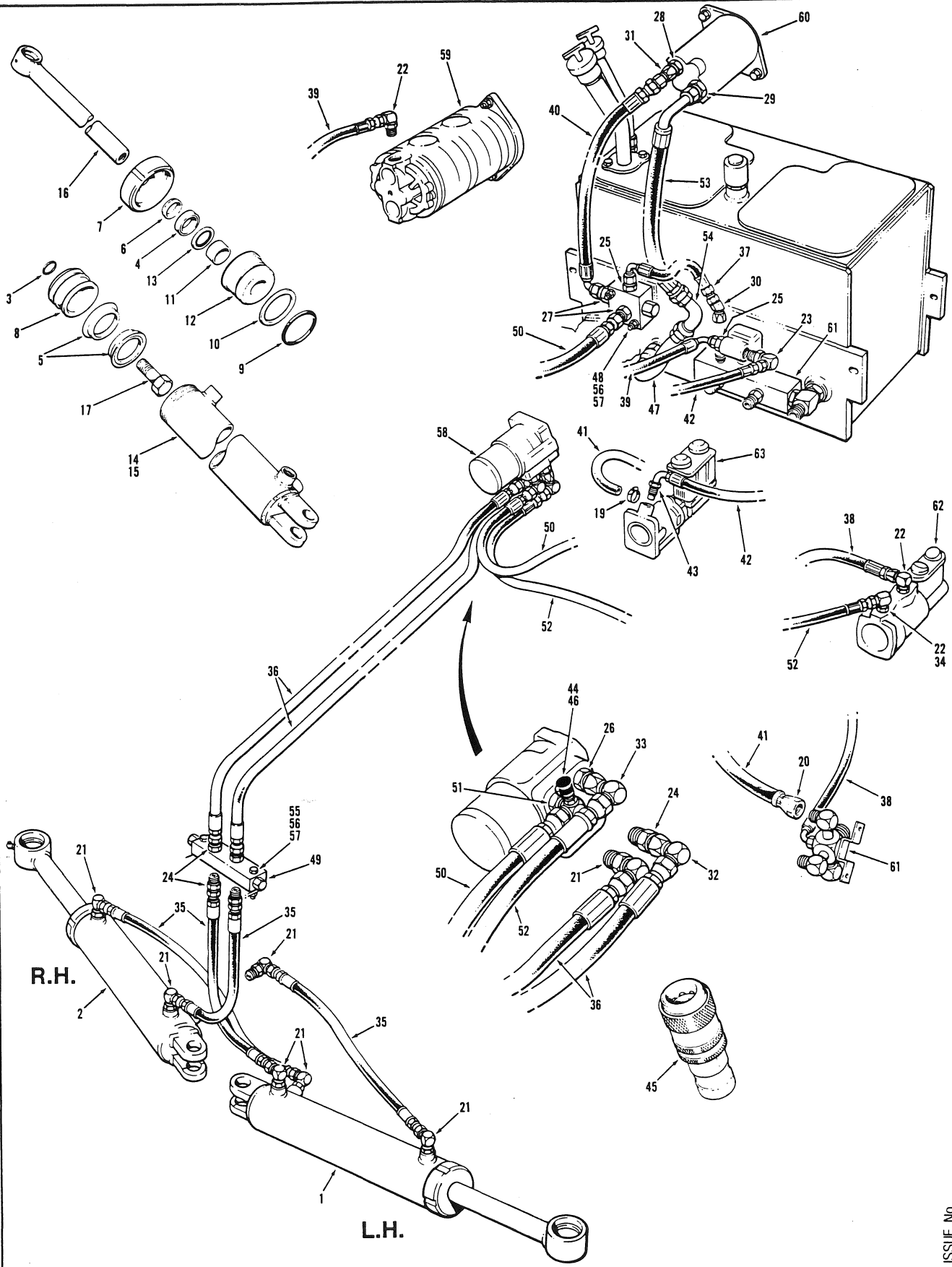
EFFECTIVE SERIAL NUMBER(S) 21134 & UP
 NUMERO(S) DE SÉRIE EFFECTIF(S)
 NUMERO(S) DE SERIE EFECTIVO(S)

700 SERIES
SERIE 700

SECTION 1 **PAGE 15**
SECCION 1 **PAGINA 15**

SECTION SECCION		PAGE PAGINA		ISSUE No. N° D'ÉMISSION N° DE EDICION		STEERING CYLINDER & CIRCUIT and BOOSTER CIRCUITS - ALL WHEEL DRIVE						JANUARY 1991	
No. N° N°	PART No. N° DE PIÈCE N° DE PIEZA	DESCRIPTION DÉSCRIPTION DESCRIPCION	No. REQ. N° REQ. N° REQ.	REMARKS REMARQUES NOTAS	No. N° N°	PART No. N° DE PIECE N° DE PIEZA	DESCRIPTION DÉSCRIPTION DESCRIPCION	No. REQ. N° REQ. N° REQ.	REMARKS REMARQUES NOTAS				
1	46111	STEERING CYLINDER ASSEMBLY - L.H. - INCLUDES ITEMS 3 TO 13 & 15 TO 18	1		39	14382 x 60	HOSE	1					
					40	28696 x 24	HOSE	1					
2	46112	STEERING CYLINDER ASSEMBLY - R.H. - INCLUDES ITEMS 3 TO 14 & 16 TO 18	1		41	41539 x 68	HOSE	1					
	48870	REPAIR KIT FOR CYLINDER ASSEMBLIES - INCLUDES ITEMS 3 TO 6, 9 TO 11, 13 & 17	1 per		42	*48849 x 116	HOSE	1					
					43	12A-013	O RING	1					
					44	51288	QUICK DISCONNECT COUPLING - MALE	1					
					45	51287	QUICK DISCONNECT COUPLING - FEMALE (for testing)	1	In Toolbox				
					46	51288	CAP	1					
3	12A-216	O-RING	1		47	53567	FITTING - STEERING SUCTION	1					
4	12164	ROD SEAL	1										
5	12165	PISTON SEAL	2		48	53619	STEERING PRIORITY/RELIEF VALVE	1					
6	12166	WIPER	1			58249	SEAL KIT FOR 53619 - STEERING/PRIORITY VALVE	1					
7	17605	CYLINDER NUT	1										
8	42122	PISTON	1		49	23748	CUSHION VALVE	1					
9	44243	O-RING	1			26317	SEAL KIT FOR 23748 - CUSHION VALVE						
10	44343	BACK-UP RING	1										
11	49394	WEAR RING	1		50	53621	HOSE	1					
12	49393	GLAND	1		51	53622	CONNECTOR	1					
13	45889	BUFFER RING	1		52	53624	HOSE	1					
14	46360	CYLINDER BARREL - L.H.	1		53	54230	HOSE	1					
15	46361	CYLINDER BARREL - R.H.	1		54	54993	ELBOW	1					
16	46359	PISTON ROD	1										
17	50A-1220	BOLT	1		55	50A-0616	BOLT	2					
18	28B-04	GREASE FITTING	1		56	14A-06	LOCKWASHER	4					
					57	30A-06	NUT	4					
19	*22D-06	CLAMP	1										
20	106C-0808	CONNECTOR	1		58		STEERING UNIT & COLUMN	REF.	Sect 1 Pg 9				
21	111B-0808	CONNECTOR	7										
22	111B-0810	CONNECTOR	3		59		HYDRAULIC PUMP - MAIN	REF.	Sect 4 Pg 1				
23	111B-0812	CONNECTOR	1										
24	111E-0808	CONNECTOR	5		60		HYDRAULIC PUMP - TRANSMISSION/STEERING	REF.	Sect 4 Pg 41				
25	111E-0812	CONNECTOR	2										
26	111E-1008	CONNECTOR	1		61		MAIN HYDRAULIC CIRCUIT	REF.	Sect 4 Pg 17				
27	111E-1212	CONNECTOR	1										
28	111E-1216	CONNECTOR	1		62		CLUTCH MASTER CYLINDER & BOOSTER ASSEMBLY	REF.	Sect 5 Pg 7				
29	111E-2020	CONNECTOR	1										
30	112A-08	CONNECTOR	1		63		BRAKE MASTER CYLINDER & BOOSTER ASSEMBLY	REF.	Sect 9 Pg 3				
31	112A-12	CONNECTOR	1										
32	112B-08	CONNECTOR	1										
33	112B-10	CONNECTOR	1										
34	*111F-1010	CONNECTOR - EXTENDED	1										
35	9313 x 22	HOSE	4										
36	9313 x 140	HOSE	2										
37	14382 x 14	HOSE	1										
38	*14382 x 30	HOSE	1										

CHAMPION ROAD MACHINERY



ISSUE No.
N° D'ÉMISSION
N° DE EDICIÓN

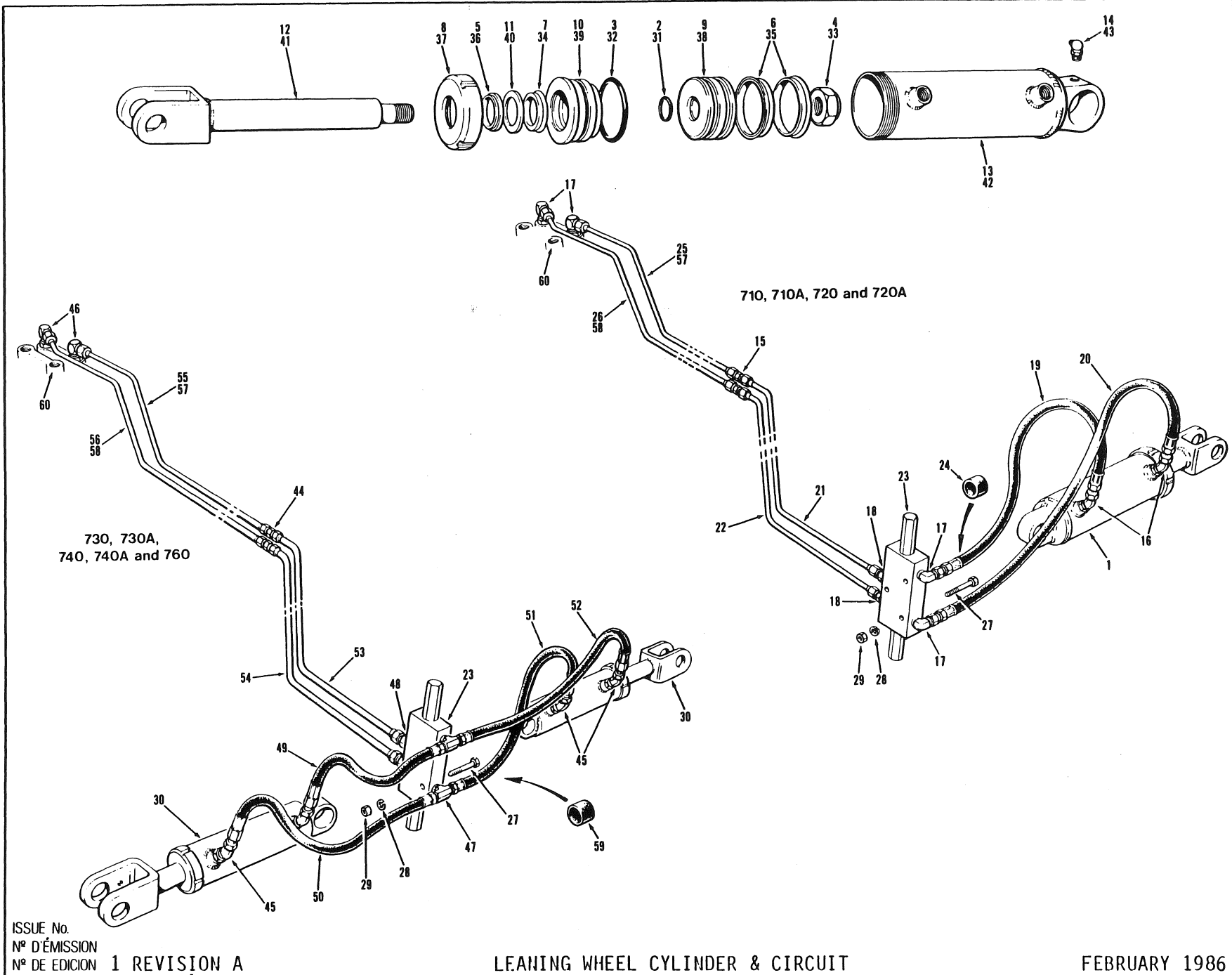
EFFECTIVE SERIAL NUMBER(S) 21398 & UP
 NUMERO(S) DE SÉRIE EFFECTIF(S) EXCLUDING 21405, 21406,
 NUMERO(S) DE SÉRIE EFECTIVO(S) 21419 & 21420

700 SERIES
SÉRIE 700

SECTION 1 PAGE 15
 SECCION 1 PAGINA 15

SECTION SECCION		PAGE PAGINA		ISSUE No. N° D'ÉMISSION N° DE EDICION		STEERING CYLINDER & CIRCUIT and BOOSTER CIRCUITS - ALL WHEEL DRIVE				MAY 1991	
No. N° N°	PART No. N° DE PIÉCE N° DE PIEZA	DESCRIPTION DESCRIPTION DESCRIPCION	No. REQ. N° REQ. N° REQ.	REMARKS REMARQUES NOTAS	No. N° N°	PART No. N° DE PIECE N° DE PIEZA	DESCRIPTION DESCRIPTION DESCRIPCION	No. REQ. N° REQ. N° REQ.	REMARKS REMARQUES NOTAS		
1	*59492	STEERING CYLINDER ASSEMBLY - L.H. - INCLUDES ITEMS 3 to 13 & 15 to 18	1		35	*9313 x 18	HOSE	4			
2	*59494	STEERING CYLINDER ASSEMBLY - R.H. - INCLUDES ITEMS 3 to 14 & 16 to 18	1		36	9313 x 140	HOSE	2			
	48870	REPAIR KIT FOR CYLINDER ASSEMBLIES - INCLUDES ITEMS 3 to 6, 9 to 11, 13 & 17	1 per		37	14382 x 14	HOSE	1			
3	12A-216	O-RING	1		38	14382 x 30	HOSE	1			
4	12164	ROD SEAL	1		39	14382 x 60	HOSE	1			
5	12165	PISTON SEAL	2		40	28696 x 24	HOSE	1			
6	12166	WIPER	1		41	41539 x 68	HOSE	1			
7	17605	CYLINDER NUT	1		42	48849 x 116	HOSE	1			
8	42122	PISTON	1		43	12A-013	O-RING	1			
9	44243	O-RING	1		44	51286	QUICK DISCONNECT COUPLING - MALE	1			
10	44343	BACK-UP RING	1		45	51287	QUICK DISCONNECT COUPLING - FEMALE (for testing)	1	In Toolbox		
11	49394	WEAR RING	1		46	51288	CAP	1			
12	49393	GLAND	1		47	53567	FITTING - STEERING SUCTION	1			
13	45889	BUFFER RING	1		48	53619	STEERING PRIORITY/RELIEF VALVE	1			
14	46360	CYLINDER BARREL - L.H.	1			55249	SEAL KIT FOR 53619 - STEERING/PRIORITY VALVE	1			
15	46361	CYLINDER BARREL - R.H.	1		49	23748	CUSHION VALVE	1			
16	*58088	PISTON ROD	1			26317	SEAL KIT FOR 23748 - CUSHION VALVE				
17	50A-1220	BOLT	1		50	53621	HOSE	1			
18	28B-04	GREASE FITTING	1		51	53622	CONNECTOR	1			
19	22D-06	CLAMP	1		52	53624	HOSE	1			
20	106C-0808	CONNECTOR	1		53	54230	HOSE	1			
21	111B-0808	CONNECTOR	7		54	54993	ELBOW	1			
22	111B-0810	CONNECTOR	3		55	50A-0616	BOLT	2			
23	111B-0812	CONNECTOR	1		56	14A-06	LOCKWASHER	4			
24	111E-0808	CONNECTOR	5		57	30A-06	NUT	4			
25	111E-0812	CONNECTOR	2		58		STEERING UNIT & COLUMN	REF.	Sect 1 Pg 9		
26	111E-1008	CONNECTOR	1		59		HYDRAULIC PUMP - MAIN	REF.	Sect 4 Pg 1		
27	111E-1212	CONNECTOR	1		60		HYDRAULIC PUMP - TRANSMISSION/STEERING	REF.	Sect 4 Pg 41		
28	111E-1216	CONNECTOR	1		61		MAIN HYDRAULIC CIRCUIT	REF.	Sect 4 Pg 17		
29	111E-2020	CONNECTOR	1		62		CLUTCH MASTER CYLINDER & BOOSTER ASSEMBLY	REF.	Sect 5 Pg 7		
30	112A-08	CONNECTOR	1		63		BRAKE MASTER CYLINDER & BOOSTER ASSEMBLY	REF.	Sect 9 Pg 3		
31	112A-12	CONNECTOR	1								
32	112B-08	CONNECTOR	1								
33	112B-10	CONNECTOR	1								
34	111F-1010	CONNECTOR - EXTENDED	1								

CHAMPION ROAD MACHINERY



USE ONLY **CHAMPION** ROAD MACHINERY APPROVED PARTS

EFFECTIVE SERIAL NUMBER(S) 16224, 16245 TO 16808
 NUMERO(S) DE SÉRIE EFFETIF(S)
 NUMERO(S) DE SERIE EFECTIVO(S)
 U.S. 2021-2 & UP

700 SERIES
SERIE 700

SECTION 1
SECTION 1
PAGE 17
PAGINA 17

ISSUE No. 1
 N° D'ÉMISSION
 N° DE EDICION 1 REVISION A

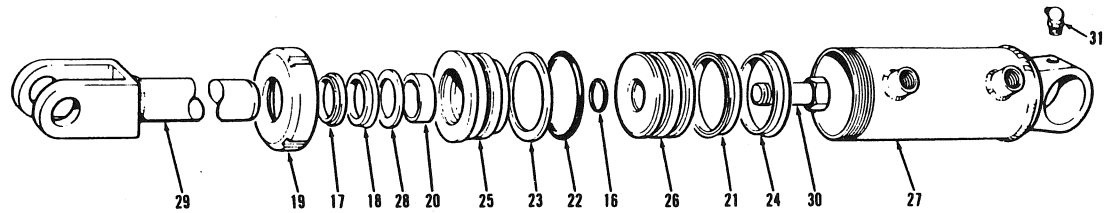
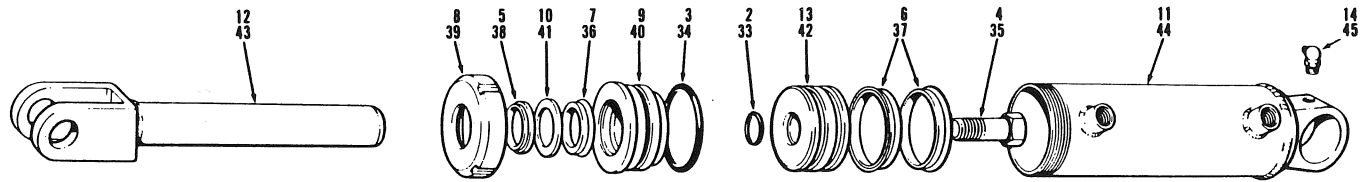
LEANING WHEEL CYLINDER & CIRCUIT

FEBRUARY 1986

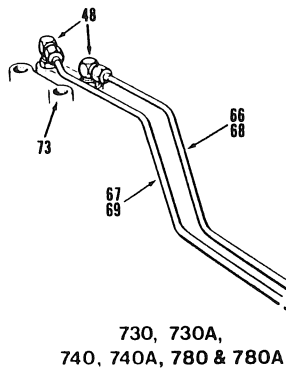
FOR LIST OF PARTS - TURN THIS PAGE POUR LA LISTE DES PIÈCES - VOIR AU VERSO PARA LA LISTA DE LAS PIEZAS - VER AL VERSO

SECTION SECCION 1		PAGE PAGINA 18	ISSUE No. N° D'ÉMISSION N° DE EDICION 1 REVISION A	LEANING WHEEL CYLINDER & CIRCUIT		FEBRUARY 1986			
No. N° N°	PART No. N° DE PIÈCE N° DE PIEZA	DESCRIPTION DESCRIPTION DESCRIPCION	No. REQ. N° REQ. N° REQ.	REMARKS REMARQUES NOTAS	No. N° N°	PART No. N° DE PIECE N° DE PIEZA	DESCRIPTION DESCRIPTION DESCRIPCION	No. REQ. N° REQ. N° REQ.	REMARKS REMARQUES NOTAS
		LEANING WHEEL CYLINDER & CIRCUIT - SINGLE 4" DIA. CYLINDER		710 THRU 720A			LEANING WHEEL CYLINDER & CIRCUIT - DUAL 3" DIA. CYLINDERS		STANDARD 730 THRU 760 & OPTIONAL 710 THRU 720A
1	25956	4" LEANING WHEEL CYLINDER ASSY. - INCLUDES ITEMS 2 TO 13	1	STANDARD					
2	12A-218	O RING	1		30	*41889	3" LEANING WHEEL CYLINDER ASSY.	2	
3	12A-342	O RING	1		31	12A-214	O RING	1	
4	37H-20	LOCKNUT	1		32	12A-334	O RING	1	
5	12035	WIPER RING	1		33	37H-16	LOCKNUT	1	
6	12036	PISTON SEAL	2		34	12164	ROD SEAL	1	
7	12037	ROD SEAL	1		35	12165	PISTON SEAL	2	
8	17608	CYLINDER NUT	1		36	12166	WIPER RING	1	
9	17609	PISTON	1		37	17605	CYLINDER NUT	1	
10	17610	GLAND	1		38	17606	PISTON	1	
11	17614	WASHER	1		39	17607	GLAND	1	
12	24204	PISTON ROD	1		40	17613	WASHER	1	
13	25957	CYLINDER BARREL	1		41	24203	PISTON ROD	1	
14	29B-02	GREASE FITTING	1		42	*41888	CYLINDER BARREL	1	
	26409	REPAIR KIT FOR 4" DIA. HYDRAULIC CYLINDER - INCLUDES ITEMS 3 TO 8 & 12	A.R.		43	29B-02	GREASE FITTING	1	
						26408	REPAIR KIT FOR 3" DIA. HYDRAULIC CYLINDER INCLUDES ITEMS 31 TO 36 & 40	A.R.	
15	110L-0808	CONNECTOR	2		44	110L-0808	CONNECTOR	2	
16	111A-0808	CONNECTOR	2		45	111A-0808	CONNECTOR	4	
17	111B-0808	CONNECTOR	4		46	111B-0808	CONNECTOR	2	
18	111E-0808	CONNECTOR	2		47	111C-0808	TEE	2	
19	9313 X 39	HOSE	1	AS REQ'D	48	111E-0808	CONNECTOR	2	
20	9313 X 42	HOSE	1		49	9313 X 33	HOSE	1	
21	17417	TUBE	1		50	9313 X 36	HOSE	1	
22	17418	TUBE	1		51	9313 X 42	HOSE	1	
23	34951	THERMAL RELIEF LOCK VALVE	1		52	9313 X 46	HOSE	2	
24	35541	GROMMET	2		53	17417	TUBE	1	
25	36928	TUBE - L.H.	1	} 710 & 710A	54	17418	TUBE	1	
26	36929	TUBE - R.H.	1		55	*41280	TUBE - L.H.	1	} 710 THRU 730A
27	50A-0416	BOLT	3		56	*41281	TUBE - R.H.	1	
28	14A-04	LOCKWASHER	3						
29	30A-04	NUT	3		57	*41292	TUBE - L.H.	1	} 740, 740A & 760
	23711	MAJOR REPAIR KIT FOR 34951 LOCK VALVE (DOES NOT INCLUDE 23712 SEAL KIT)	A.R.		58	*41293	TUBE - R.H.	1	
	23712	SEAL KIT FOR 34951 LOCK VALVE	A.R.		59	35541	GROMMET	2	
					60		MANIFOLD VALVE ASSEMBLY	REF.	SECTION 4 PAGE 7/8

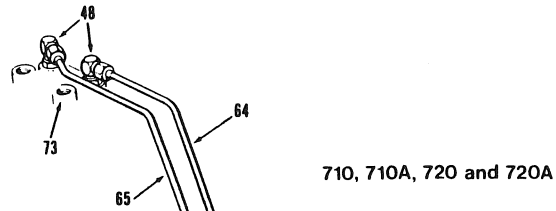
CHAMPION ROAD MACHINERY



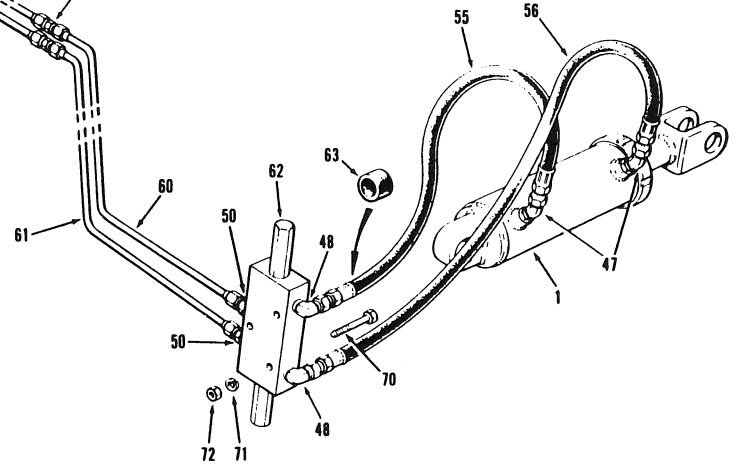
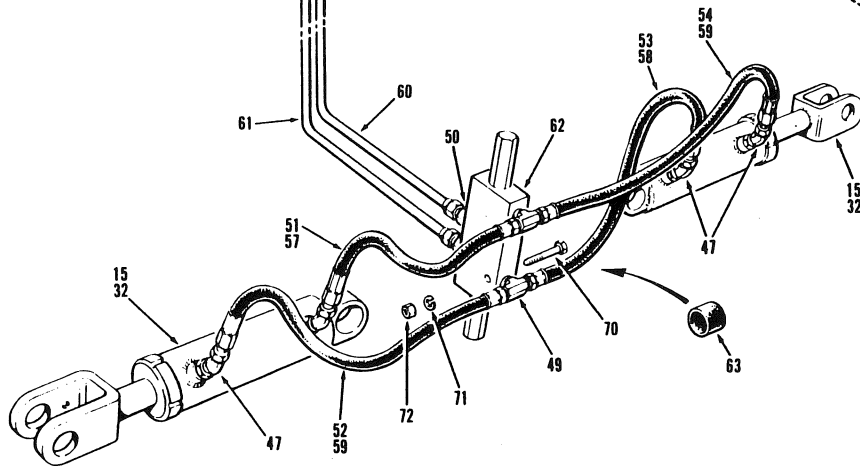
780 & 780A



730, 730A,
740, 740A, 780 & 780A



710, 710A, 720 and 720A



ISSUE No.
N° D'ÉMISSION
N° DE EDICION 2 REVISION B

LEANING WHEEL CYLINDER & CIRCUIT

SEPTEMBER 1987

FOR LIST OF PARTS - TURN THIS PAGE

POUR LA LISTE DES PIÈCES - VOIR AU VERSO

PARA LA LISTA DE LAS PIEZAS - VER AL VERSO

EFFECTIVE SERIAL NUMBER(S) 1 6809 & UP
NUMEROS DE SERIE EFFECTIFS
NUMEROS DE SERIE EFFECTIVOS
U.S. 2419-2 & UP

700 SERIES
SERIE 700

SECTION 1 PAGE 17
SECCION 1 PAGINA 17

USE ONLY CHAMPION APPROVED PARTS

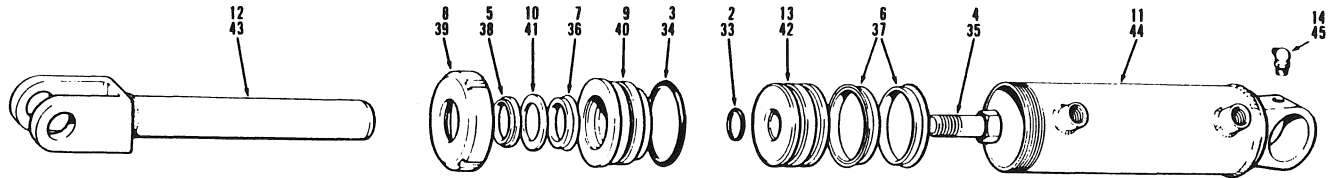
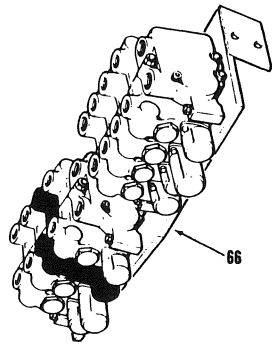
SECTION SECCION 1		PAGE PAGINA 18	ISSUE No. N° D'ÉMISSION N° DE EDICION 2 REVISION B	LEANING WHEEL CYLINDER & CIRCUIT			SEPTEMBER 1987		
No. N° N°	PART No. N° DE PIÈCE N° DE PIEZA	DESCRIPTION DESCRIPTION DESCRIPCION	No. REQ. N° REQ. N° REQ.	REMARKS REMARQUES NOTAS	No. N° N°	PART No. N° DE PIÈCE N° DE PIEZA	DESCRIPTION DESCRIPTION DESCRIPCION	No. REQ. N° REQ. N° REQ.	REMARKS REMARQUES NOTAS
		LEANING WHEEL CYLINDER & CIRCUIT - SINGLE 4" DIAMETER CYLINDER		710 THRU 720A			LEANING WHEEL CYLINDER & CIRCUIT - DUAL 3" DIAMETER CYLINDERS		MODELS 730 THRU 740A
1	42148	4" LEANING WHEEL CYLINDER ASSEMBLY INCLUDES ITEMS 2 TO 14	1		32	42130	3" LEANING WHEEL CYLINDER ASSEMBLY INCLUDES ITEMS 33 TO 45	2	
2	12A-224	O RING	1			NOTE:	(DUAL LEANING WHEEL CYLINDER ASSEMBLY IS OPTIONAL ON MODELS 710 THRU 720A)		
3	44244	O RING	1						
4	51A-1622	BOLT	1		33	12A-214	O RING	1	
5	12035	WIPER RING	1		34	44243	O RING	1	
6	12036	PISTON SEAL	2		35	51A-1220	BOLT	1	
7	12037	ROD SEAL	1		36	12164	ROD SEAL	1	
8	17608	CYLINDER NUT	1		37	12165	PISTON SEAL	2	
9	17610	GLAND	1		38	12166	WIPER RING	1	
10	17614	WASHER	1		39	17605	CYLINDER NUT	1	
11	42149	CYLINDER BARREL	1		40	17607	GLAND	1	
12	42150	PISTON ROD	1		41	17613	WASHER	1	
13	42151	PISTON	1		42	42122	PISTON	1	
14	29B-02	GREASE FITTING	1		43	42128	PISTON ROD	1	
	43182	REPAIR KIT FOR 42148 HYDRAULIC CYLINDER - INCLUDES ITEMS 2 TO 7 & 10			44	42129	CYLINDER BARREL	1	
		LEANING WHEEL CYLINDER & CIRCUIT DUAL 4" DIAMETER CYLINDERS		MODELS 780 & 780A	45	29B-02	GREASE FITTING	1	
						42975	REPAIR KIT FOR 42130 HYDRAULIC CYLINDER INCLUDES ITEMS 33 TO 38 & 41	A.R.	
15	*45766	4" LEANING WHEEL CYLINDER ASSY. - L.H. INCLUDES ITEMS 16 TO 31	1		46	110L-08	CONNECTOR	2	
	*45765	4" LEANING WHEEL CYLINDER ASSY. - R.H. INCLUDES ITEMS 16 TO 31	1		47	111A-0808	CONNECTOR	2or4	
16	*12A-224	O RING	1		48	111B-0808	CONNECTOR	2or4	
17	12035	WIPER RING	1		49	111C-0808	TEE	2	
18	12037	ROD SEAL	1		50	111E-0808	CONNECTOR	2	
19	17608	CYLINDER NUT	1		51	9313 X 33	HOSE	1	FOR DUAL
20	43074	WEAR RING	1		52	9313 X 36	HOSE	1	CYLINDERS
21	*43075	PISTON RING	1		53	9313 X 42	HOSE	1	EXCEPT 780
22	44244	O RING	1		54	9313 X 48	HOSE	1	& 780A
23	44266	BACK-UP RING	1		55	9313 X 39	HOSE	1	FOR SINGLE
24	*45639	WEAR RING	1		56	9313 X 42	HOSE	1	CYLINDER
25	*45734	GLAND	1		57	9313 X 36	HOSE	1	USED ON
26	*45737	PISTON	1		58	9313 X 39	HOSE	1	780 & 780A
27	*45959	CYLINDER BARREL - L.H.	1		59	9313 X 42	HOSE	2	ONLY
	*45767	CYLINDER BARREL - R.H.	1		60	17417	TUBE	1	
28	*45890	BUFFER RING	1		61	17418	TUBE	1	
29	*46126	PISTON ROD	1		62	34951	THERMO RELIEF LOCK VALVE	1	
30	50A-1620	BOLT	1		63	35541	GROMMET	2	
31	29B-02	GREASE FITTING	1		64	41268	TUBE - L.H.	1	MODELS 710
	23711	MAJOR REPAIR KIT FOR 34951 LOCK VALVE (DOES NOT INCLUDE 23712 SEAL KIT)	A.R.		65	41269	TUBE - R.H.	1	& 710A
	23712	SEAL KIT FOR 34951 LOCK VALVE	A.R.		66	41280	TUBE - L.H.	1	720 THRU
					67	41281	TUBE - R.H.	1	730A
					68	41292	TUBE - L.H.	1	740 THRU
					69	41293	TUBE - R.H.	1	780A
					70	50A-0416	BOLT	3	
					71	14A-04	LOCKWASHER	3	
					72	30A-04	NUT	3	
					73		MANIFOLD VALVE ASSEMBLY	REF.	SECTION 4 PAGE 7/8

CHAMPION ROAD MACHINERY

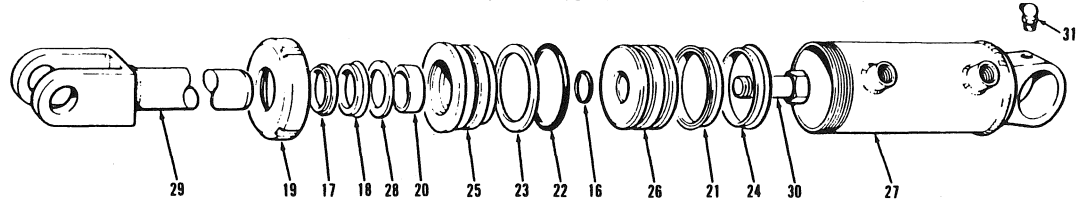
EFFECTIVE SERIAL NUMBERS) 18578, 18590, 18592 & UP
 NUMEROS) DE SERIE EFFECTIFS)
 NUMEROS) DE SERIE EFFECTIVOS)

700 SERIES
 SERIE 700

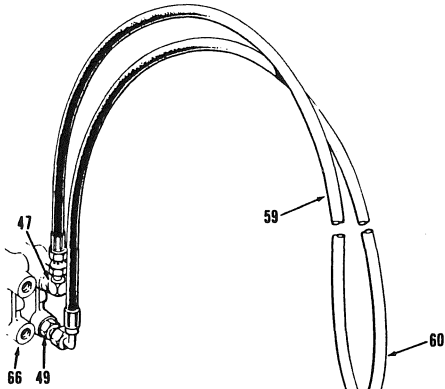
SECTION 1 PAGE 17
 SECCION 1 PAGINA 17



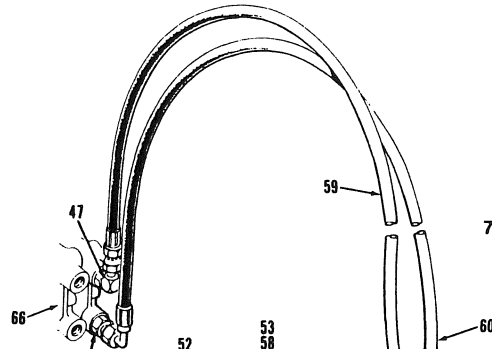
710 thru 750A



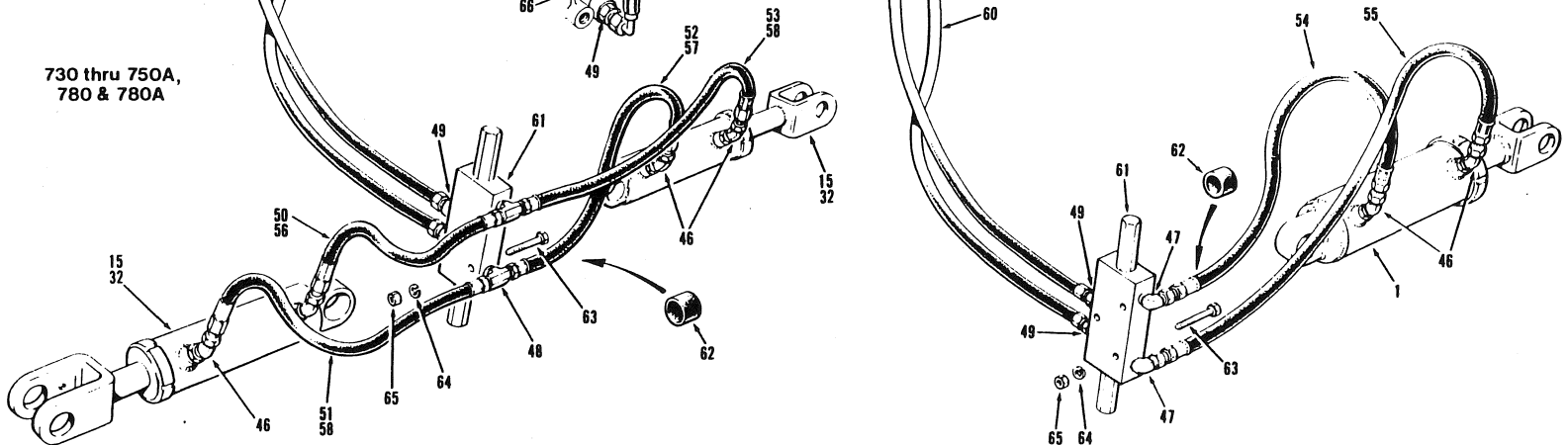
780 & 780A



730 thru 750A,
 780 & 780A



710 thru 720A



ISSUE No
 N° D'ÉMISSION
 N° DE EDICION 3

LEANING WHEEL CYLINDER & CIRCUIT

JANUARY 1988

FOR LIST OF PARTS - TURN THIS PAGE

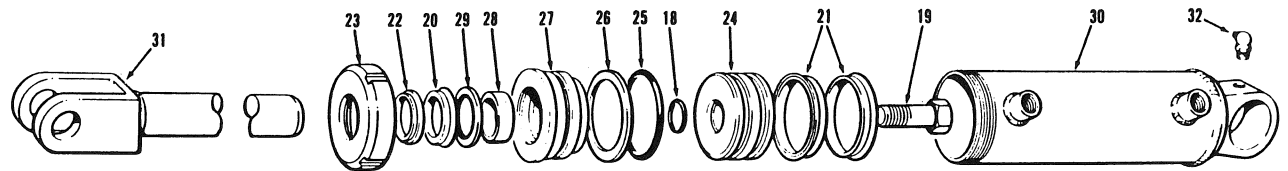
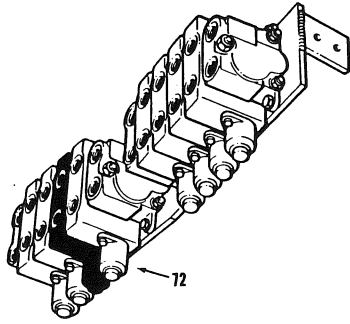
POUR LA LISTE DES PIÈCES - VOIR AU VERSO

PARA LA LISTA DE LAS PIEZAS - VER AL VERSO

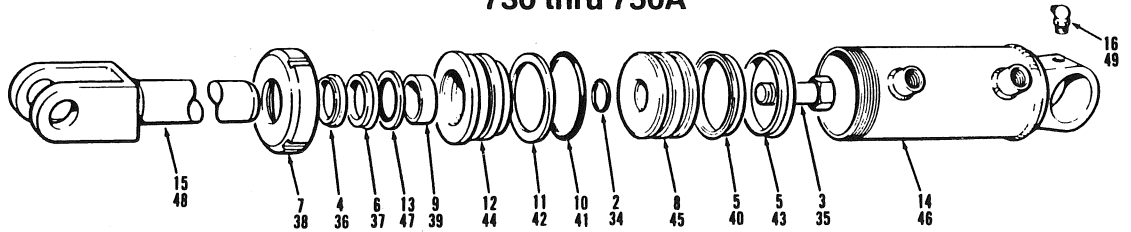
USE ONLY CHAMPION ROAD MACHINERY APPROVED PARTS

SECTION SECCION 1		PAGE PAGINA 18	ISSUE No. N° D'ÉMISSION 3 N° DE EDICION	LEANING WHEEL CYLINDER & CIRCUIT				JANUARY 1988	
No. N° N°	PART No. N° DE PIÈCE N° DE PIEZA	DESCRIPTION DESCRIPTION DESCRIPCION	No. REQ N° REQ. N° REQ.	REMARKS REMARQUES NOTAS	No. N° N°	PART No. N° DE PIECE N° DE PIEZA	DESCRIPTION DESCRIPTION DESCRIPCION	No. REQ N° REQ. N° REQ.	REMARKS REMARQUES NOTAS
		<u>LEANING WHEEL CYLINDER & CIRCUIT - SINGLE 4" DIAMETER CYLINDER</u>		710 THRU 720A			<u>LEANING WHEEL CYLINDER & CIRCUIT - DUAL 3" DIAMETER CYLINDERS</u>		MODELS 730 THRU 740A
1	42148	4" LEANING WHEEL CYLINDER ASSEMBLY INCLUDES ITEMS 2 TO 14	1		32	42130	3" LEANING WHEEL CYLINDER ASSEMBLY INCLUDES ITEMS 33 TO 45 (DUAL LEANING WHEEL CYLINDER ASSEMBLY IS OPTIONAL ON MODELS 710 THRU 720A)	2	
2	12A-224	O RING	1			NOTE:			
3	44244	O RING	1		33	*12A-216	O RING	1	
4	51A-1622	BOLT	1		34	44243	O RING	1	
5	12035	WIPER RING	1		35	51A-1220	BOLT	1	
6	12036	PISTON SEAL	2		36	12164	ROD SEAL	1	
7	12037	ROD SEAL	1		37	12165	PISTON SEAL	2	
8	17608	CYLINDER NUT	1		38	12166	WIPER RING	1	
9	17610	GLAND	1		39	17605	CYLINDER NUT	1	
10	17614	WASHER	1		40	17607	GLAND	1	
11	42149	CYLINDER BARREL	1		41	17613	WASHER	1	
12	42150	PISTON ROD	1		42	42122	PISTON	1	
13	42151	PISTON	1		43	42128	PISTON ROD	1	
14	29B-02	GREASE FITTING	1		44	42129	CYLINDER BARREL	1	
	43182	REPAIR KIT FOR 42148 HYDRAULIC CYLINDER - INCLUDES ITEMS 2 TO 7 & 10			45	29B-02	GREASE FITTING	1	
		<u>LEANING WHEEL CYLINDER & CIRCUIT DUAL 4" DIAMETER CYLINDERS</u>		750 THRU 780A		42975	REPAIR KIT FOR 42130 HYDRAULIC CYLINDER INCLUDES ITEMS 33 TO 38 & 41	A.R.	
15	45766	4" LEANING WHEEL CYLINDER ASSY. - L.H. INCLUDES ITEMS 16 TO 31	1		46	111A-0808	CONNECTOR	2or4	
	45765	4" LEANING WHEEL CYLINDER ASSY. - R.H. INCLUDES ITEMS 16 TO 31	1		47	111B-0808	CONNECTOR	1or3	
16	12A-224	O RING	1		48	111C-0808	TEE	2	
17	12035	WIPER RING	1		49	111E-0808	CONNECTOR	3	
18	12037	ROD SEAL	1		50	9313 X 33	HOSE	1	} FOR DUAL CYLINDERS EXCEPT 750 THRU 780A FOR SINGLE CYLINDER
19	17608	CYLINDER NUT	1		51	9313 X 36	HOSE	1	
20	43074	WEAR RING	1		52	9313 X 42	HOSE	1	
21	43075	PISTON RING	1		53	9313 X 48	HOSE	1	
22	44244	O RING	1		54	9313 X 39	HOSE	1	
23	44266	BACK-UP RING	1		55	9313 X 42	HOSE	1	
24	45639	WEAR RING	1		56	9313 X 36	HOSE	1	
25	45734	GLAND	1		57	9313 X 39	HOSE	1	
26	45737	PISTON	1		58	9313 X 42	HOSE	2	
27	45959	CYLINDER BARREL - L.H.	1		59	*9313 X 215	HOSE	1	
28	45767	CYLINDER BARREL - R.H.	1		60	*14382 X 215	HOSE	1	
29	45890	BUFFER RING	1		61	34951	THERMO RELIEF LOCK VALVE	1	
30	46126	PISTON ROD	1		62	35541	GROMMET	2	
31	50A-1620	BOLT	1		63	50A-0416	BOLT	3	
	29B-02	GREASE FITTING	1		64	14A-04	LOCKWASHER	3	
	23711	MAJOR REPAIR KIT FOR 34951 LOCK VALVE (DOES NOT INCLUDE 23712 SEAL KIT)	A.R.		65	30A-04	NUT	3	
	23712	SEAL KIT FOR 34951 LOCK VALVE	A.R.		66		MANIFOLD VALVE ASSEMBLY	REF.	SECTION 4 PAGE 7/8

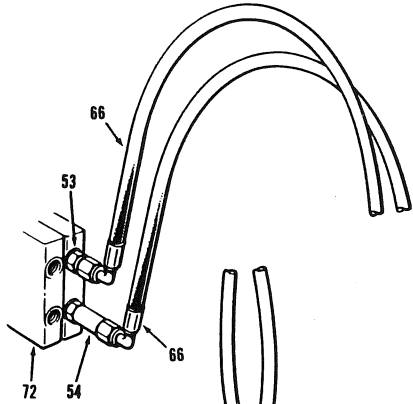
CHAMPION ROAD MACHINERY



730 thru 750A

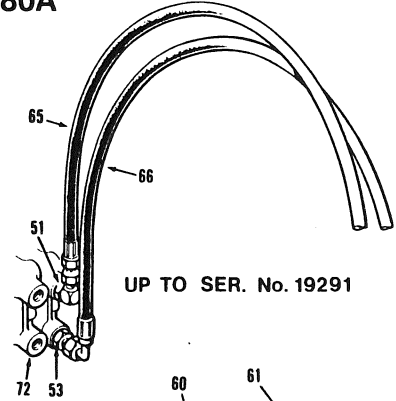


710 thru 720A, 780 & 780A

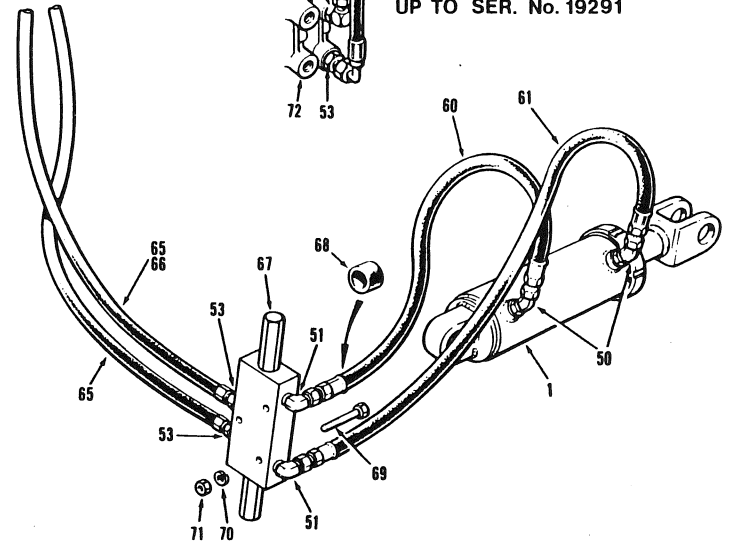
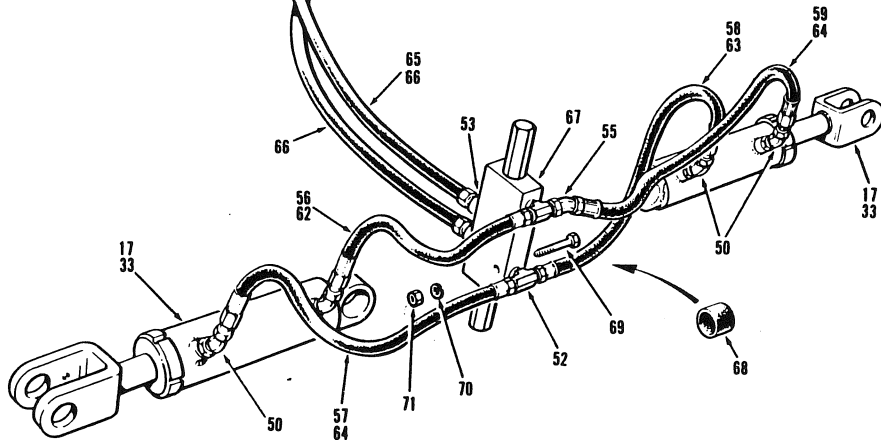


730 thru 780A

710 thru 720A



UP TO SER. No. 19291



LEANING WHEEL CYLINDER & CIRCUIT

MARCH 1990

EFFECTIVE SERIAL NUMBERS)
NUMEROS) DE SERIE EFFECTIFS)
NUMEROS) DE SERIE EFFECTIVOS)

18802, 19601 & UP

700 SERIES
SERIE 700

SECTION 1 PAGE 17
SECCION 1 PAGINA 17

ISSUE No.
N° D'ÉMISSION
N° DE EDICION 4 REVISION D

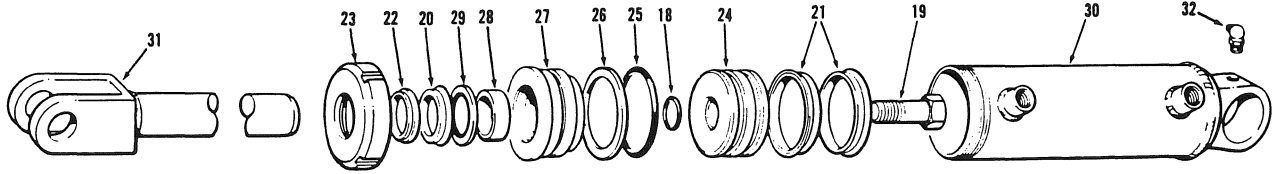
FOR LIST OF PARTS - TURN THIS PAGE

POUR LA LISTE DES PIÈCES - VOIR AU VERSO

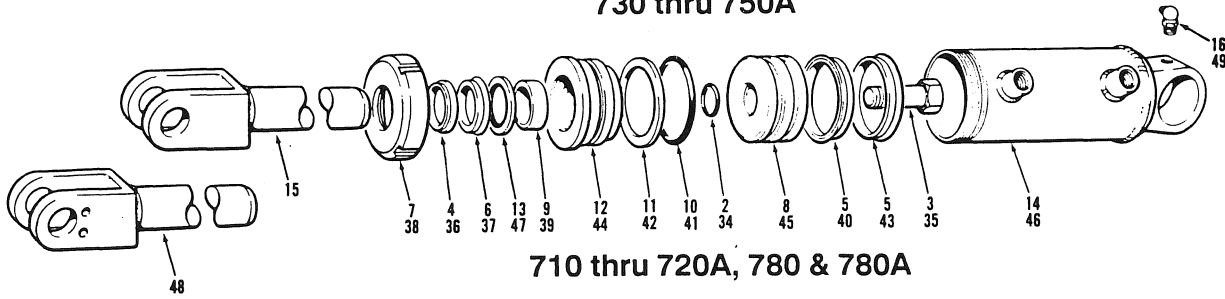
PARA LA LISTA DE LAS PIEZAS - VER AL VERSO

USE ONLY CHAMPION ROAD MACHINERY APPROVED PARTS

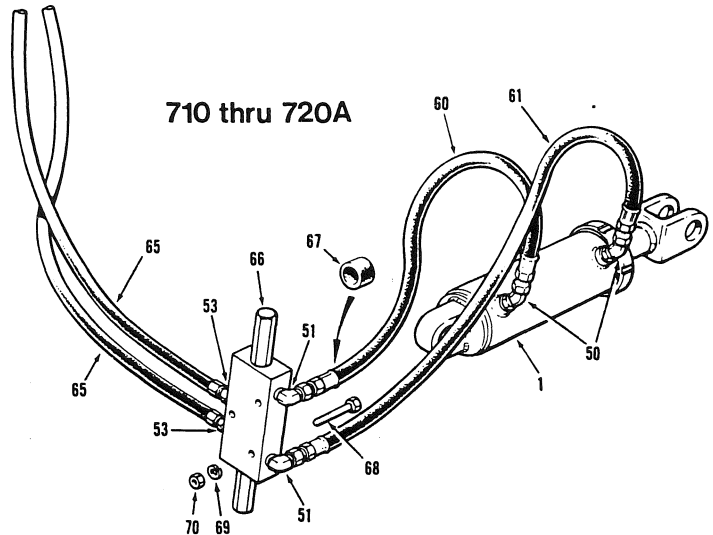
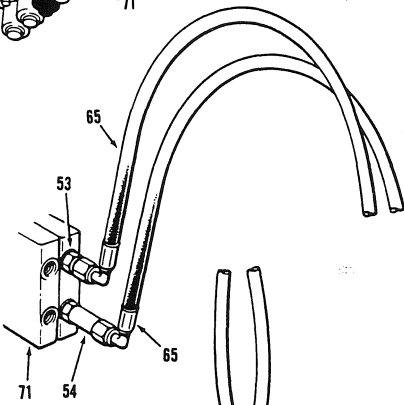
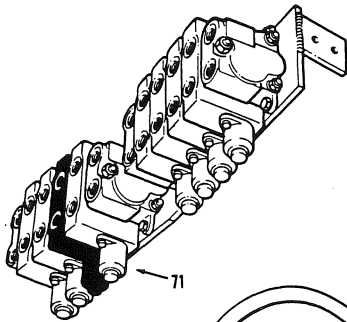
SECTION SECCION		PAGE PAGINA		ISSUE No. N° D'ÉMISSION N° DE EDICION		4 REVISION D		LEANING WHEEL CYLINDER & CIRCUIT			MARCH 1990	
No. N° N°	PART No. N° DE PIÈCE N° DE PIEZA	DESCRIPTION DÉSCRIPTION DESCRIPCION	No. REQ. N° REQ. N° REQ.	REMARKS REMARQUES NOTAS	No. N° N°	PART No. N° DE PIÈCE N° DE PIEZA	DESCRIPTION DÉSCRIPTION DESCRIPCION	No. REQ. N° REQ. N° REQ.	REMARKS REMARQUES NOTAS			
		SINGLE 4" DIAMETER CYLINDER - Models 710 thru 720A					DUAL 4" DIAMETER CYLINDERS - Models 780 & 780A					
1	46065	4" LEANING WHEEL CYLINDER ASSEMBLY INCLUDES ITEMS 2 TO 16	1			45765	4" LEANING WHEEL CYLINDER ASSEMBLY - R.H. - INCLUDES ITEMS 34 TO 49	1				
	48953	REPAIR KIT FOR 46065 HYDRAULIC CYLINDERS - INCLUDES ITEMS 2 TO 6, 9, 10, 11 & 13	1 per		33	45766	4" LEANING WHEEL CYLINDER ASSEMBLY - L.H. - INCLUDES ITEMS 34 TO 49	1				
						48954	REPAIR KIT FOR 45765 & 45766 HYDRAULIC CYLINDERS - INCLUDES ITEMS 34 TO 43 & 47	1 per				
2	12A-224	O RING	1									
3	50A-1620	BOLT	1									
4	12035	WIPER RING	1		34	12A-224	O RING	1				
5	12036	PISTON SEAL	2		35	50A-1620	BOLT	1				
6	12037	ROD SEAL	1		36	12035	WIPER RING	1				
7	17608	CYLINDER NUT	1		37	12037	ROD SEAL	1				
8	42151	PISTON	1		38	17608	CYLINDER NUT	1				
9	43074	WEAR RING	1		39	43074	WEAR RING	1				
10	44244	O RING	1		40	43075	PISTON RING	1				
11	44266	BACK-UP RING	1		41	44244	O RING	1				
12	45734	GLAND	1		42	44266	BACK-UP RING	1				
13	45890	BUFFER RING	1		43	45639	PISTON SEAL	1				
14	46066	CYLINDER BARREL	1		44	45734	GLAND	1				
15	46339	PISTON ROD	1		45	45737	PISTON	1				
16	28B-04	GREASE FITTING	1		46	45959	CYLINDER BARREL - L.H.	1				
		DUAL 3" DIAMETER CYLINDERS - Models 730 thru 750A					45767	CYLINDER BARREL - R.H.	1			
17	46036	3" LEANING WHEEL CYLINDER ASSEMBLY - INCLUDES ITEMS 18 TO 32	2		47	45890	BUFFER RING	1				
	NOTE:	(DUAL LEANING WHEEL CYLINDER ASSEMBLY IS OPTIONAL ON MODELS 710 THRU 720A)			48	46126	PISTON ROD	1				
	48870	REPAIR KIT FOR 46036 HYDRAULIC CYLINDER - INCLUDES ITEMS 18 TO 22, 25, 26, 28 & 29	1 per		49	29B-02	GREASE FITTING	1				
18	12A-216	O RING	1		50	111A-0808	CONNECTOR	2 or 4				
19	50A-1220	BOLT	1		51	111B-0808	CONNECTOR	2				
20	12164	ROD SEAL	1		52	111C-0808	TEE	2				
21	12165	PISTON SEAL	2		53	111E-0808	CONNECTOR	3				
22	12166	WIPER RING	1		54	111F-0808	CONNECTOR	1				
23	17605	CYLINDER NUT	1		55	112A-08	CONNECTOR	1				
24	42122	PISTON	1		56	9313 x 33	HOSE	1				
25	44243	O RING	1		57	9313 x 36	HOSE	1			730 thru 740A	
26	44343	BACK-UP RING	1		58	9313 x 42	HOSE	1				
27	49393	GLAND	1		59	9313 x 48	HOSE	1				
28	49394	WEAR RING	1		60	9313 x 39	HOSE	1				
29	45889	BUFFER RING	1		61	9313 x 42	HOSE	1			710 thru 720A	
30	46037	CYLINDER BARREL	1		62	9313 x 36	HOSE	1				
31	46038	PISTON ROD	1		63	9313 x 39	HOSE	1			750 thru 780A	
32	28B-04	GREASE FITTING	1		64	9313 x 42	HOSE	2				
					65	9313 x 215	HOSE	1				
					66	14382 x 215	HOSE	2				
					67	34951	THERMAL RELIEF LOCK VALVE	1				
						23711	MAJOR REPAIR KIT FOR 34951 LOCK VALVE (DOES NOT INCLUDE 23712 SEAL KIT)	1				
						23712	SEAL KIT FOR 34951 LOCK VALVE	1				
					68	35541	GROMMET	2				
					69	50A-0416	BOLT	3				
					70	14A-04	LOCKWASHER	3				
					71	30A-04	NUT	3				
					72		MANIFOLD ASSEMBLY	REF.			SECT. 4 PG. 8	



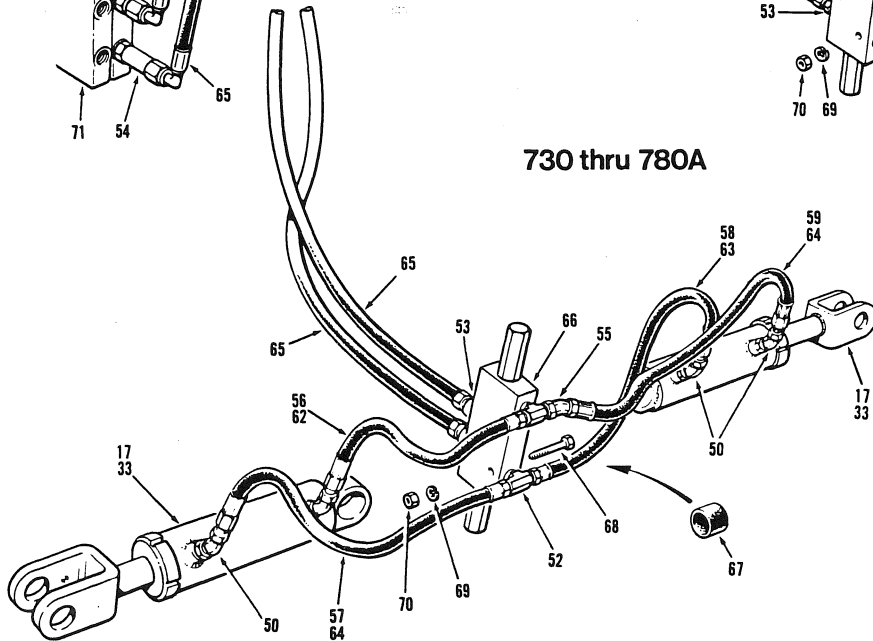
730 thru 750A



710 thru 720A, 780 & 780A



710 thru 720A



730 thru 780A

CHAMPION ROAD MACHINERY

LEANING WHEEL CYLINDER & CIRCUIT

PARA LA LISTA DE LAS PIEZAS - VÉASE AL VÍDEO

POUR LA LISTE DES PIÈCES - VOIR AU VÉRO

FOR LIST OF PARTS - TURN THIS PAGE

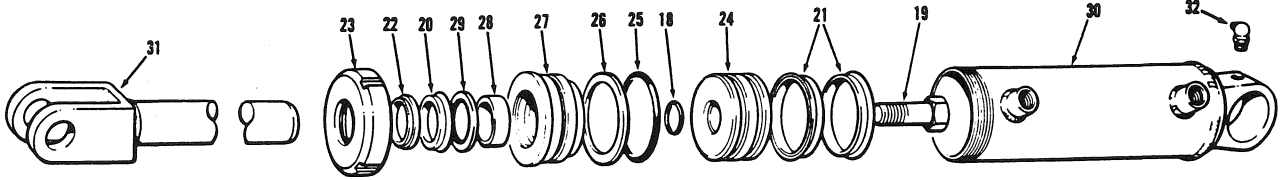
EFFECTIVE SERIAL NUMBER(S) 21053 & UP
 NUMERO(S) DE SÉRIE EFFECTIF(S)
 NUMERO(S) DE SERIE EFECTIVO(S)

700 SERIES
 SERIE 700

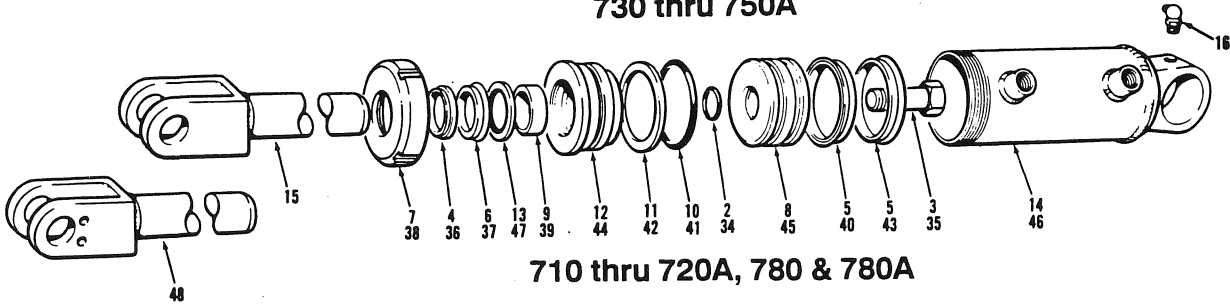
SECTION 1 PAGE 17
 SECCION 1 PAGINA 17

ISSUE No
 N° D'ÉMISSION
 N° DE EDICION 5

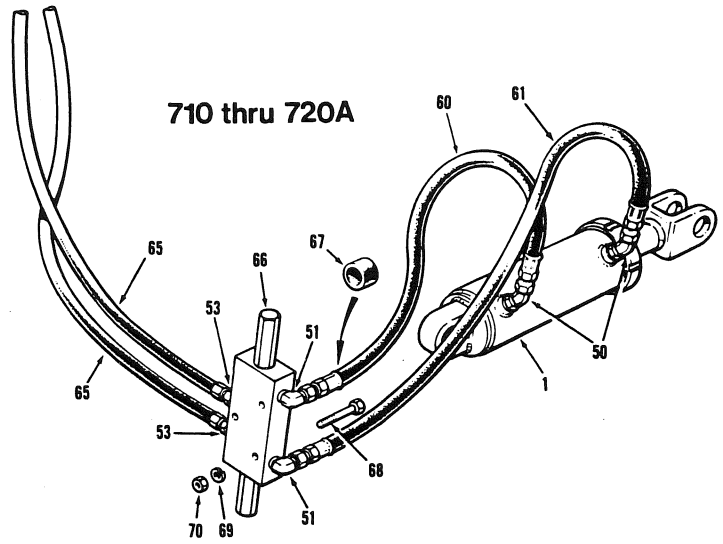
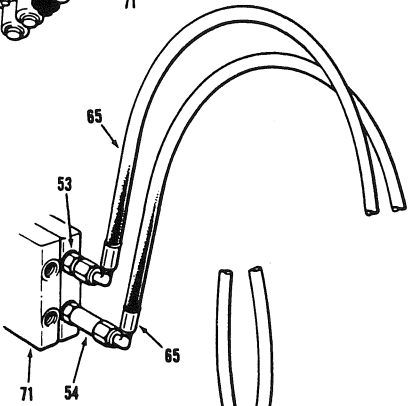
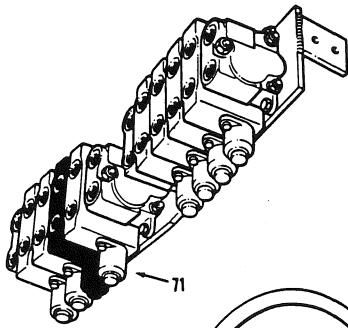
SECTION SECCION		PAGE PAGINA		ISSUE No. N° D'ÉMISSION N° DE EDICION		LEANING WHEEL CYLINDER & CIRCUIT					OCTOBER1990	
No. N° N°	PART No. N° DE PIÈCE N° DE PIEZA	DESCRIPTION DÉSCRIPTION DESCRIPCION	No. REQ. N° REQ. N° REQ.	REMARKS REMARQUES NOTAS	No. N° N°	PART No. N° DE PIECE N° DE PIEZA	DESCRIPTION DÉSCRIPTION DESCRIPCION	No. REQ. N° REQ. N° REQ.	REMARKS REMARQUES NOTAS			
		SINGLE 4" DIAMETER CYLINDER - Models 710 thru 720A					DUAL 4" DIAMETER CYLINDERS - Models 780 & 780A					
1	46065	4" LEANING WHEEL CYLINDER ASSEMBLY - INCLUDES ITEMS 2 TO 16	1			*59068	4" LEANING WHEEL CYLINDER ASSEMBLY - R.H. - INCLUDES ITEMS 34 TO 49	1				
	48953	REPAIR KIT FOR 46065 - HYDRAULIC CYLINDER - INCLUDES ITEMS 2 TO 6, 9, 10, 11 & 13	1 per		33	*59069	4" LEANING WHEEL CYLINDER ASSEMBLY - L.H. - INCLUDES ITEMS 34 TO 49	1				
2	12A-224	O RING	1			48954	REPAIR KIT FOR 59068 & 59069 - HYDRAULIC CYLINDERS - INCLUDES ITEMS 34 TO 43 & 47	1 per				
3	50A-1620	BOLT	1									
4	12035	WIPER RING	1		34	12A-224	O RING	1				
5	12036	PISTON SEAL	2		35	50A-1620	BOLT	1				
6	12037	ROD SEAL	1		36	12035	WIPER RING	1				
7	17608	CYLINDER NUT	1		37	12037	ROD SEAL	1				
8	42151	PISTON	1		38	17608	CYLINDER NUT	1				
9	43074	WEAR RING	1		39	43074	WEAR RING	1				
10	44244	O RING	1		40	43075	PISTON RING	1				
11	44266	BACK-UP RING	1		41	44244	O RING	1				
12	45734	GLAND	1		42	44266	BACK-UP RING	1				
13	45890	BUFFER RING	1		43	45639	PISTON SEAL	1				
14	46066	CYLINDER BARREL	1		44	45734	GLAND	1				
15	46339	PISTON ROD	1		45	45737	PISTON	1				
16	28B-04	GREASE FITTING	1		46	*59071	CYLINDER BARREL - L.H.	1				
		DUAL 3" DIAMETER CYLINDERS - Models 730 thru 750A					CYLINDER BARREL - R.H.					
17	46036	3" LEANING WHEEL CYLINDER ASSEMBLY - INCLUDES ITEMS 18 TO 32	2		47	*59070	CYLINDER BARREL - R.H.	1				
	NOTE:	(DUAL LEANING WHEEL CYLINDER ASSEMBLY IS OPTIONAL ON MODELS 710 THRU 720A)			48	*56905	PISTON ROD	1				
	48870	REPAIR KIT FOR 46036 - HYDRAULIC CYLINDER - INCLUDES ITEMS 18 TO 22, 25, 26, 28 & 29	1 per		49	29B-02	GREASE FITTING	1				
18	12A-216	O RING	1		50	111A-0808	CONNECTOR	2 or 4				
19	50A-1220	BOLT	1		51	111B-0808	CONNECTOR	2				
20	12164	ROD SEAL	1		52	111C-0808	TEE	2				
21	12165	PISTON SEAL	2		53	111E-0808	CONNECTOR	3				
22	12166	WIPER RING	1		54	111F-0808	CONNECTOR	1				
23	17605	CYLINDER NUT	1		55	112A-08	CONNECTOR	1				
24	42122	PISTON	1		56	9313 x 33	HOSE	1			730 thru 740A	
25	44243	O RING	1		57	9313 x 36	HOSE	1				
26	44343	BACK-UP RING	1		58	9313 x 42	HOSE	1				
27	49393	GLAND	1		59	9313 x 48	HOSE	1				
28	49394	WEAR RING	1		60	9313 x 39	HOSE	1			710 thru 720A	
29	45889	BUFFER RING	1		61	9313 x 42	HOSE	1				
30	46037	CYLINDER BARREL	1		62	9313 x 36	HOSE	1			750 thru 780A	
31	46038	PISTON ROD	1		63	9313 x 39	HOSE	1				
32	28B-04	GREASE FITTING	1		64	9313 x 42	HOSE	2				
					65	14382 x 215	HOSE	2				
					66	34951	THERMAL RELIEF LOCK VALVE	1				
						23711	MAJOR REPAIR KIT FOR 34951 - LOCK VALVE (DOES NOT INCLUDE 23712 SEAL KIT)	1				
						23712	SEAL KIT FOR 34951 - LOCK VALVE	1				
					67	35541	GROMMET	2				
					68	50A-0416	BOLT	3				
					69	14A-04	LOCKWASHER	3				
					70	30A-04	NUT	3				
					71		MANIFOLD ASSEMBLY	REF.			Sect 4 Pg 7	



730 thru 750A

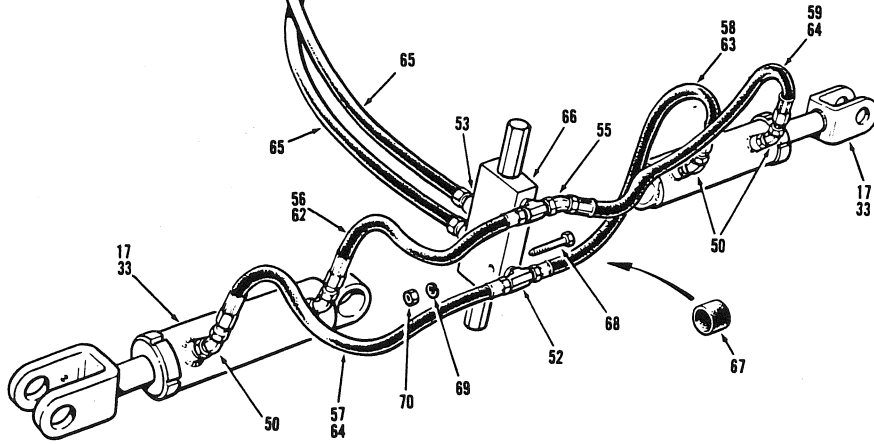


710 thru 720A, 780 & 780A



710 thru 720A

730 thru 780A



CHAMPION ROAD MACHINERY

LEANING WHEEL CYLINDER & CIRCUIT

FOR LIST OF PARTS - TURN THIS PAGE POUR LA LISTE DES PIÈCES - VOIR AU VERSO PARA LA LISTA DE LAS PIEZAS - VER AL VERSO

ISSUE No.
N° D'ÉMISSION
N° DE EDICIÓN

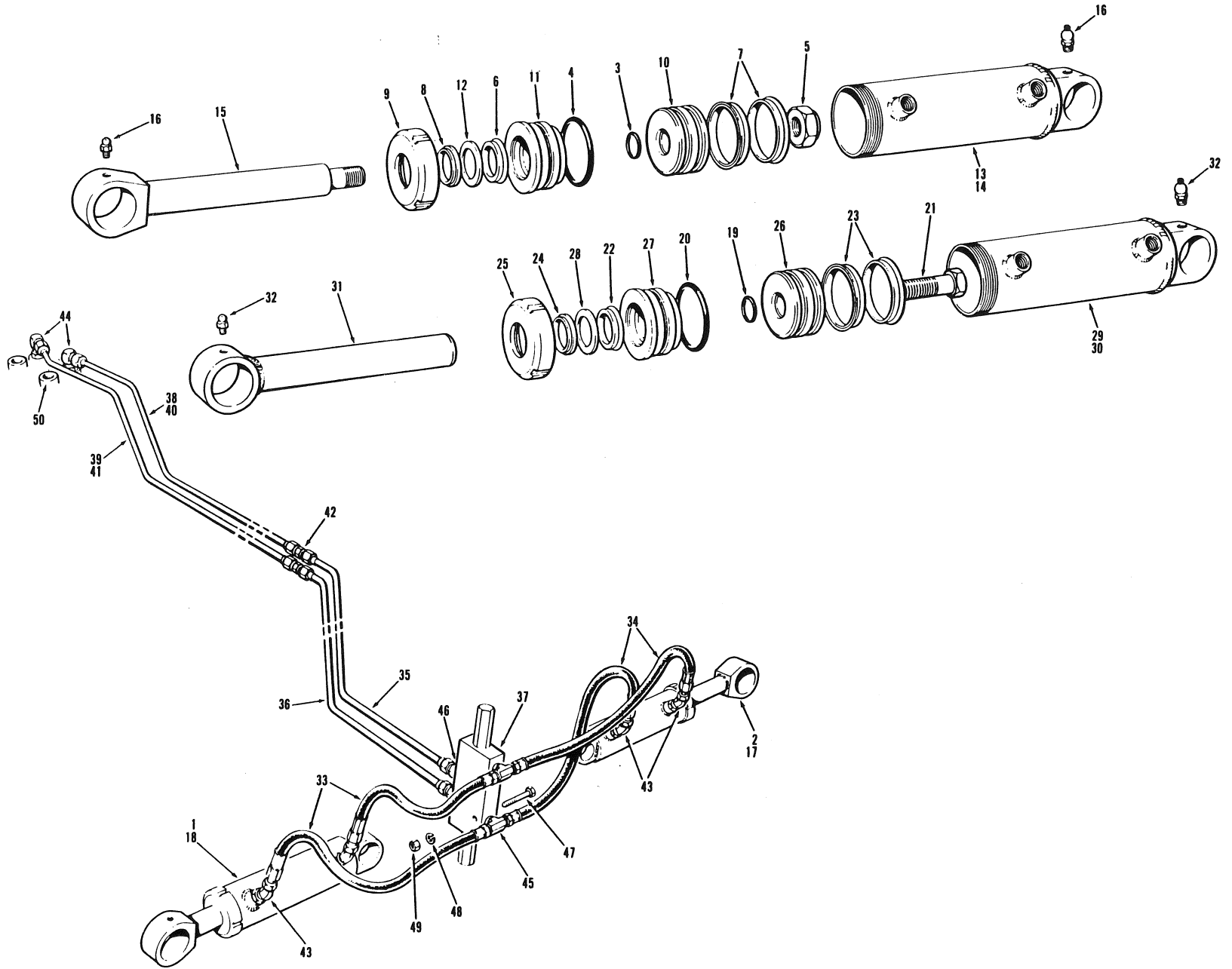
EFFECTIVE SERIAL NUMBER(S) 21563 & UP
NUMERO(S) DE SÉRIE EFFECTIF(S)
NUMERO(S) DE SERIE EFECTIVO(S)

700 SERIES
SERIE 700

SECTION 1 PAGE 17
SECCION 1 PAGINA 17

SECTION SECCION		PAGE PAGINA		ISSUE No. N° D'ÉMISSION N° DE EDICION		LEANING WHEEL CYLINDER & CIRCUIT				MAY 1991	
No. N° N°	PART No. N° DE PIÈCE N° DE PIEZA	DESCRIPTION DESCRIPTION DESCRIPCION	No. REQ. N° REQ. N° REQ.	REMARKS REMARQUES NOTAS	No. N° N°	PART No. N° DE PIÈCE N° DE PIEZA	DESCRIPTION DESCRIPTION DESCRIPCION	No. REQ. N° REQ. N° REQ.	REMARKS REMARQUES NOTAS		
		SINGLE 4" DIAMETER CYLINDER - Models 710 thru 720A						DUAL 4" DIAMETER CYLINDERS - Models 780 & 780A			
1	46065	4" LEANING WHEEL CYLINDER ASSEMBLY - INCLUDES ITEMS 2 TO 16	1			*59545	4" LEANING WHEEL CYLINDER ASSEMBLY - R.H. - INCLUDES ITEMS 34 TO 48	1			
	48953	REPAIR KIT FOR 46065 - HYDRAULIC CYLINDER - INCLUDES ITEMS 2 TO 6, 9, 10, 11 & 13	1 per		33	*59546	4" LEANING WHEEL CYLINDER ASSEMBLY - L.H. - INCLUDES ITEMS 34 TO 48	1			
						48954	REPAIR KIT FOR 59545 & 59546 - HYDRAULIC CYLINDERS - INCLUDES ITEMS 34 TO 43 & 47	1 per			
2	12A-224	O-RING	1								
3	50A-1620	BOLT	1								
4	12035	WIPER RING	1		34	12A-224	O-RING	1			
5	12036	PISTON SEAL	2		35	50A-1620	BOLT	1			
6	12037	ROD SEAL	1		36	12035	WIPER RING	1			
7	17608	CYLINDER NUT	1		37	12037	ROD SEAL	1			
8	42151	PISTON	1		38	17608	CYLINDER NUT	1			
9	43074	WEAR RING	1		39	43074	WEAR RING	1			
10	44244	O-RING	1		40	43075	PISTON RING	1			
11	44266	BACK-UP RING	1		41	44244	O-RING	1			
12	45734	GLAND	1		42	44266	BACK-UP RING	1			
13	45890	BUFFER RING	1		43	45639	PISTON SEAL	1			
14	46066	CYLINDER BARREL	1		44	45734	GLAND	1			
15	46339	PISTON ROD	1		45	45737	PISTON	1			
16	28B-04	GREASE FITTING	1		46	*59544	CYLINDER BARREL - L.H.	1			
		DUAL 3" DIAMETER CYLINDERS - Models 730 thru 750A				47	*59543	CYLINDER BARREL - R.H.	1		
17	46036	3" LEANING WHEEL CYLINDER ASSEMBLY - INCLUDES ITEMS 18 TO 32	2		48	*56905	PISTON ROD	1			
	NOTE:	(DUAL LEANING WHEEL CYLINDER ASSEMBLY IS OPTIONAL ON MODELS 710 THRU 720A)				50	111A-0808	CONNECTOR	2 or 4		
	48870	REPAIR KIT FOR 46036 - HYDRAULIC CYLINDER - INCLUDES ITEMS 18 TO 22, 25, 26, 28 & 29	1 per		51	111B-0808	CONNECTOR	2			
					52	111C-0808	TEE	2			
					53	111E-0808	CONNECTOR	3			
					54	111F-0808	CONNECTOR	1			
18	12A-216	O-RING	1		55	112A-08	CONNECTOR	1			
19	50A-1220	BOLT	1		56	9313 x 33	HOSE	1	} 730 thru 740A		
20	12164	ROD SEAL	1		57	9313 x 36	HOSE	1			
21	12165	PISTON SEAL	2		58	9313 x 42	HOSE	1			
22	12166	WIPER RING	1		59	9313 x 48	HOSE	1	} 710 thru 720A		
23	17605	CYLINDER NUT	1		60	9313 x 39	HOSE	1			
24	42122	PISTON	1		61	9313 x 42	HOSE	1	} 750 thru 780A		
25	44243	O-RING	1		62	9313 x 36	HOSE	1			
26	44343	BACK-UP RING	1		63	9313 x 39	HOSE	1			
27	49393	GLAND	1		64	9313 x 42	HOSE	2			
28	49394	WEAR RING	1		65	14382 x 215	HOSE	2			
29	45889	BUFFER RING	1		66	34951	THERMAL RELIEF LOCK VALVE	1			
30	46037	CYLINDER BARREL	1			23711	MAJOR REPAIR KIT FOR 34951 - LOCK VALVE (DOES NOT INCLUDE 23712 SEAL KIT)	1			
31	46038	PISTON ROD	1			23712	SEAL KIT FOR 34951 - LOCK VALVE	1			
32	28B-04	GREASE FITTING	1								
					67	35541	GROMMET	2			
					68	50A-0416	BOLT	3			
					69	14A-04	LOCKWASHER	3			
					70	30A-04	NUT	3			
					71		MANIFOLD ASSEMBLY	REF.	Sect 4 Pg 7		

CHAMPION ROAD MACHINERY



EFFECTIVE SERIAL NUMBERS) 16224, 16245 & UP
 NUMEROS) DE SÉRIE EFFECTIFS)
 NUMEROS) DE SÉRIE EFFECTIVOS)
 U.S. 2021-2 & UP

700 SERIES
 SERIE 700

SECTION 1 PAGE 19
 SECTION 1 PAGINA 19

ISSUE No.
 N° D'ÉMISSION
 Nº DE EDICION 1 REVISION A

LEANING WHEEL CYLINDER & CIRCUIT - ALL WHEEL DRIVE

JANUARY 1986

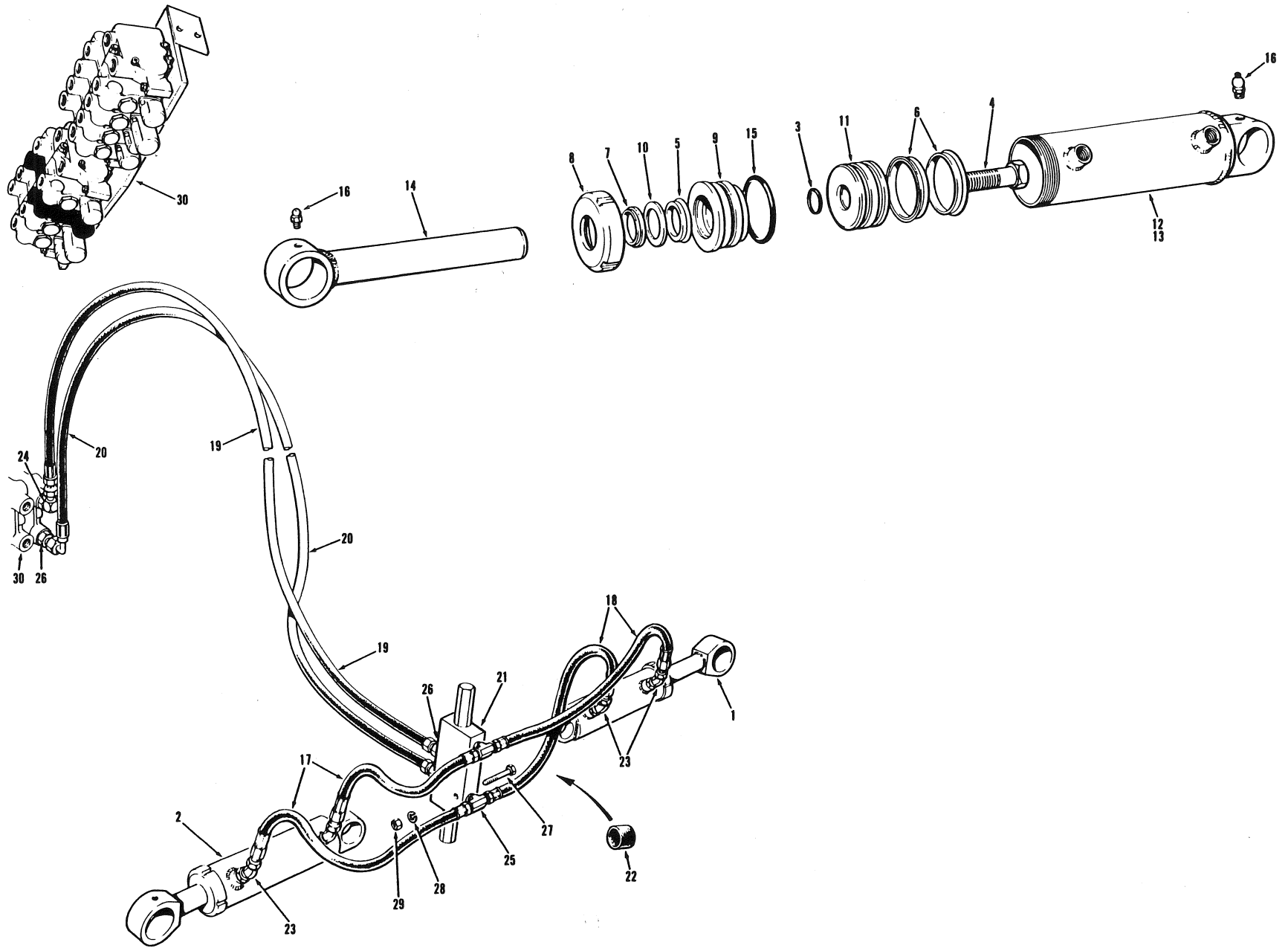
FOR LIST OF PARTS - TURN THIS PAGE

POUR LA LISTE DES PIÈCES - VOIR AU VERSO

PARA LA LISTA DE LAS PIEZAS - VER AL VERSO

USE ONLY CHAMPION ROAD MACHINERY APPROVED PARTS

SECTION SECCION 1		PAGE PAGINA 20	ISSUE No. N° D'ÉMISSION N° DE EDICION 1 REVISION A	LEANING WHEEL CYLINDER & CIRCUIT - ALL WHEEL DRIVE				FEBRUARY 1986	
No. N° N°	PART No. N° DE PIÈCE N° DE PIEZA	DESCRIPTION DESCRIPTION DESCRIPCION	No. REQ. N° REQ. N° REQ.	REMARKS REMARQUES NOTAS	No. N° N°	PART No. N° DE PIÈCE N° DE PIEZA	DESCRIPTION DESCRIPTION DESCRIPCION	No. REQ. N° REQ. N° REQ.	REMARKS REMARQUES NOTAS
1	30542	LEANING WHEEL CYLINDER ASSEMBLY - R.H. - INCLUDES ITEMS 3 TO 12 & 14 TO 16	1	TO SERIAL NO. 16783	33	9313 X 42	HOSE	2	
2	30543	LEANING WHEEL CYLINDER ASSEMBLY - L.H. - INCLUDES ITEMS 3 TO 13,15 & 16	1	UP TO U.S. NO. 2476-2	34	9313 X 48	HOSE	2	
3	12A-214	O RING	1		35	17417	TUBE - L.H.	1	
4	12A-334	O RING	1		36	17418	TUBE - R.H.	1	
5	37H-16	LOCKNUT	1		37	34951	LOCK VALVE	1	
6	12164	ROD SEAL	1		38	41268	TUBE - L.H.	1	} 710 & 710A
7	12165	PISTON SEAL	2		39	41269	TUBE - R.H.	1	
8	12166	WIPER	1		40	41280	TUBE - L.H.	1	} 720, 720A, 730 & 730A
9	17605	CYLINDER NUT	1		41	41281	TUBE - R.H.	1	
10	17606	PISTON	1		42	110L-0808	CONNECTOR	2	
11	17607	GLAND	1		43	111A-0808	CONNECTOR	4	
12	17613	WASHER	1		44	111B-0808	CONNECTOR	2	
13	30544	CYLINDER BARREL - L.H.	1		45	111C-0808	TEE	2	
14	30545	CYLINDER BARREL - R.H.	1		46	111E-0808	CONNECTOR	2	
15	30546	PISTON ROD	1		47	50A-0416	BOLT	3	
16	29A-02	GREASE FITTING	2		48	14A-04	LOCKWASHER	3	
	26408	REPAIR KIT FOR 30542 & 30543 CYLINDER ASSY. - INCLUDES ITEMS 3 TO 8 & 12	A.R.		49	30A-04	NUT	3	
17	*42234	LEANING WHEEL CYLINDER ASSEMBLY - L.H. - INCLUDES ITEMS 19 TO 29,30 & 32	1	SERIAL NO. 16860 & UP	50		MANIFOLD VALVE ASSEMBLY	REF.	SECTION 4 PAGES 7 & 8
18	*42235	LEANING WHEEL CYLINDER ASSEMBLY - R.H. - INCLUDES ITEMS 19 TO 28 & 30 TO 32	1			23711	MAJOR REPAIR KIT FOR 34951 LOCK VALVE - (DOES NOT INCLUDE 23712 SEAL KIT)	A.R.	
19	*12A-216	O RING	1			23712	SEAL KIT FOR 34951 LOCK VALVE	A.R.	
20	12A-334	O RING	1						
21	*51A-1220	BOLT	1						
22	12164	ROD SEAL	1						
23	12165	PISTON SEAL	2						
24	12166	WIPER	1						
25	17605	CYLINDER NUT	1						
26	17606	PISTON	1						
27	17607	GLAND	1						
28	17613	WASHER	1						
29	*42236	CYLINDER BARREL - L.H.	1						
30	*42237	CYLINDER BARREL - R.H.	1						
31	*42238	PISTON ROD	1						
32	29A-02	GREASE FITTING	2						
	*43098	REPAIR KIT FOR 42234 & 42235 CYLINDER ASSY. - INCLUDES ITEMS 19 TO 24 & 28	A.R.						



EFFECTIVE SERIAL NUMBERS) 18578, 18590, 18592 & UP
 NUMEROS) DE SÉRIE EFFECTIFS)
 NUMEROS) DE SÉRIE EFFECTIVOS)

700 SERIES
 SERIE 700

SECTION 1 PAGE 19
 SECTION 1 PAGE 19

ISSUE No.
 N° D'ÉMISSION
 N° DE EDICION 2

LEANING WHEEL CYLINDER & CIRCUIT - ALL WHEEL DRIVE

JANUARY 1988

FOR LIST OF PARTS - TURN THIS PAGE POUR LA LISTE DES PIÈCES - VOIR AU VERSO PARA LA LISTA DE LAS PIEZAS - VER AL VERSO

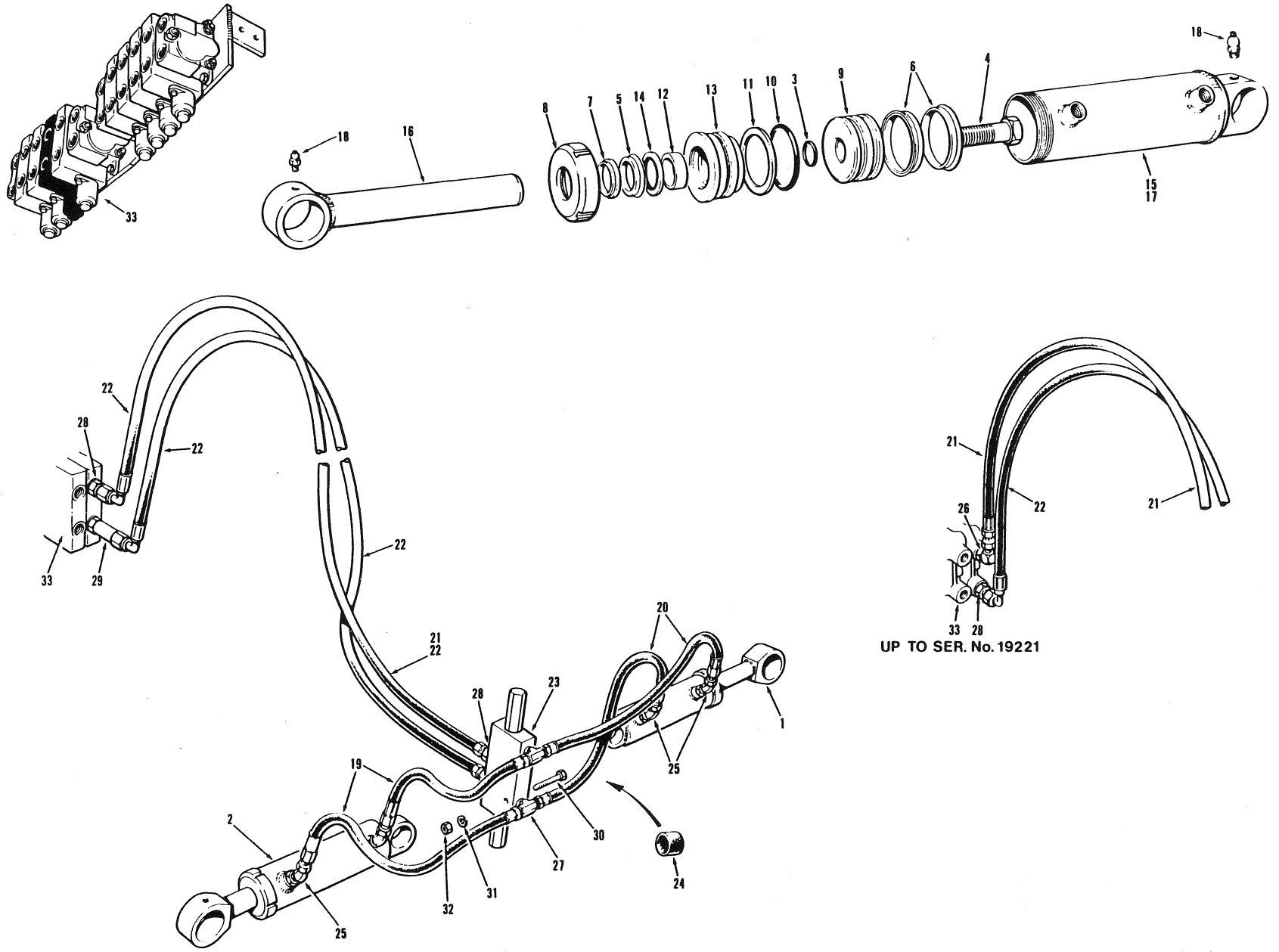
USE ONLY  APPROVED PARTS

SECTION SECCION 1		PAGE PAGINA 20	ISSUE No. N° D'ÉMISSION N° DE EDICION 2	LEANING WHEEL CYLINDER & CIRCUIT - ALL WHEEL DRIVE			JANUARY 1988		
No. N° N°	PART No. N° DE PIÈCE N° DE PIEZA	DESCRIPTION DESCRIPTION DESCRIPCION	No. REQ. N° REQ. N° REQ.	REMARKS REMARQUES NOTAS	No. N° N°	PART No. N° DE PIÈCE N° DE PIEZA	DESCRIPTION DESCRIPTION DESCRIPCION	No. REQ. N° REQ. N° REQ.	REMARKS REMARQUES NOTAS
1	42234	LEANING WHEEL CYLINDER ASSEMBLY - L.H. - INCLUDES ITEMS 3 TO 12, 14 TO 16	1						
2	42235	LEANING WHEEL CYLINDER ASSEMBLY - R.H. - INCLUDES ITEMS 3 TO 11 & 13 TO 16	1						
3	12A-216	O RING	1						
4	51A-1220	BOLT	1						
5	12164	ROD SEAL	1						
6	12165	PISTON SEAL	2						
7	12166	WIPER	1						
8	17605	CYLINDER NUT	1						
9	17607	GLAND	1						
10	17613	WASHER	1						
11	*42122	PISTON	1						
12	42236	CYLINDER BARREL - L.H.	1						
13	42237	CYLINDER BARREL - R.H.	1						
14	42238	PISTON ROD	1						
15	*44243	O RING	1						
16	29A-02	GREASE FITTING	2						
	*42975	REPAIR KIT FOR 42234 & 42235 CYLINDER ASSY. - INCLUDES ITEMS 3 TO 7, 10 & 15	A.R.						
17	9313 X 42	HOSE	2						
18	9313 X 48	HOSE	2						
19	*9313 X 215	HOSE	1						
20	*14382 X 215	HOSE	1						
21	34951	LOCK VALVE	1						
22	*35541	GROMMET	2						
23	111A-0808	CONNECTOR	4						
24	111B-0808	CONNECTOR	1						
25	111C-0808	TEE	2						
26	111E-0808	CONNECTOR	3						
27	50A-0416	BOLT	3						
28	14A-04	LOCKWASHER	3						
29	30A-04	NUT	3						
30		MANIFOLD VALVE ASSEMBLY	REF.	SECTION 4 PAGE 8					
	23711	MAJOR REPAIR KIT FOR 34951 LOCK VALVE - (DOES NOT INCLUDE 23712 SEAL KIT)	A.R.						
	23712	SEAL KIT FOR 34951 LOCK VALVE	A.R.						

EFFECTIVE SERIAL NUMBER(S) 19044 & UP
NUMEROS(S) DE SERIE EFFECTIF(S)
NUMEROS(S) DE SERIE EFFECTIVO(S)

700 SERIES
SERIE 700

SECTION 1 PAGE 19
SECCION 1 PAGINA 19



UP TO SER. No. 19221

ISSUE No.
N° D'ÉMISSION
N° DE EDICION

3 REVISION A

LEANING WHEEL CYLINDER & CIRCUIT - ALL WHEEL DRIVE

FEBRUARY 1989

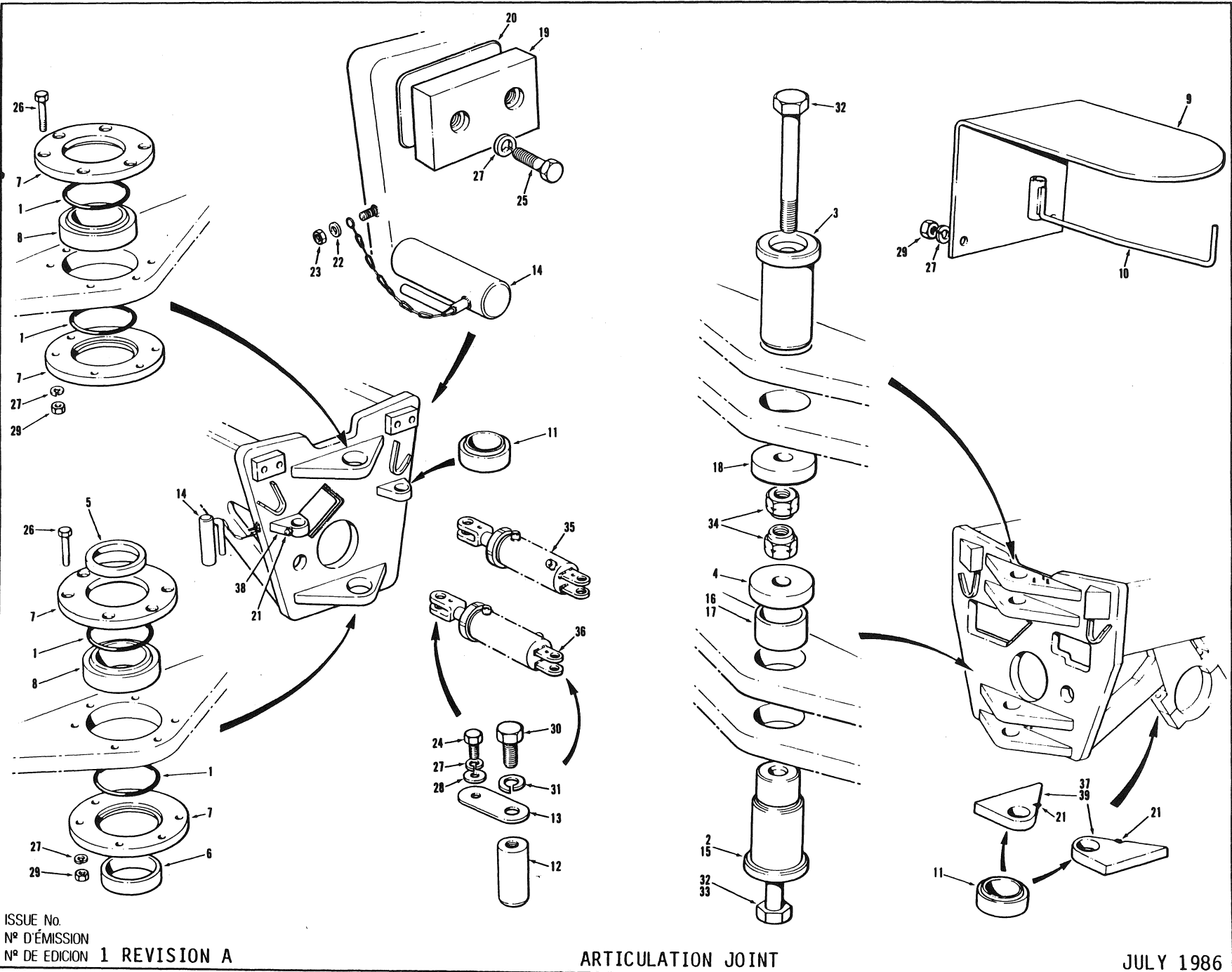
FOR LIST OF PARTS - TURN THIS PAGE

POUR LA LISTE DES PIÈCES - VOIR AU VERSO

PARA LA LISTA DE LAS PIEZAS - VER AL VERSO

USE ONLY CHAMPION ROAD MACHINERY APPROVED PARTS

SECTION SECCION 1		PAGE PAGINA 20	ISSUE No. N° D'ÉMISSION N° DE EDICION 3	REVISION A	LEANING WHEEL CYLINDER & CIRCUIT - ALL WHEEL DRIVE			FEBRUARY 1989	
No. N° N°	PART No. N° DE PIÉCE N° DE PIEZA	DESCRIPTION DÉSCRIPTION DESCRIPCION	No. REQ N° REQ. N° REQ.	REMARKS REMARQUES NOTAS	No. N° N°	PART No. N° DE PIECE N° DE PIEZA	DESCRIPTION DÉSCRIPTION DESCRIPCION	No. REQ N° REQ. N° REQ.	REMARKS REMARQUES NOTAS
1	46108	LEANING WHEEL CYLINDER ASSEMBLY - L.H. - INCLUDES ITEMS 3 TO 16 & 18	1						
2	46109	LEANING WHEEL CYLINDER ASSEMBLY - R.H. - INCLUDES ITEMS 3 TO 14 & 16 TO 18	1						
3	12A-216	O RING	1						
4	50A-1220	BOLT	1						
5	12164	ROD SEAL	1						
6	12165	PISTON SEAL	2						
7	12166	WIPER	1						
8	17605	CYLINDER NUT	1						
9	42122	PISTON	1						
10	44243	O RING	1						
11	44343	BACK-UP RING	1						
12	49394	WEAR RING	1						
13	49393	GLAND	1						
14	45889	BUFFER RING	1						
15	46299	CYLINDER BARREL - L.H.	1						
16	46300	PISTON ROD	1						
17	46301	CYLINDER BARREL - R.H.	1						
18	28A-04	GREASE FITTING	2						
	48870	REPAIR KIT FOR 46108 & 46109 CYL. ASSY. - INCLUDES ITEMS 3 TO 7,10,11,12 & 14	A.R.						
19	9313 X 42	HOSE	2						
20	9313 X 48	HOSE	2						
21	9313 X 215	HOSE	1	UP TO S/N 19221					
22	14382 X 215	HOSE	1						
23	34951	THERMAL RELIEF LOCK VALVE	1						
24	35541	GROMMET	2						
25	111A-0808	CONNECTOR	4						
26	111B-0808	CONNECTOR	1	UP TO S/N 19221					
27	111C-0808	TEE	2						
28	111E-0808	CONNECTOR	3						
29	*111F-0808	CONNECTOR	1	S/N 19323 & UP					
30	50A-0416	BOLT	3						
31	14A-04	LOCKWASHER	3						
32	30A-04	NUT	3						
33		MANIFOLD VALVE ASSEMBLY	REF.	SECTION 4 PAGE 8					
	23711	MAJOR REPAIR KIT FOR 34951 LOCK VALVE - (DOES NOT INCLUDE 23712 SEAL KIT)	A.R.						
	23712	SEAL KIT FOR 34951 LOCK VALVE	A.R.						



EFFECTIVE SERIAL NUMBERS: 1 6224, 16245 TO 17342
 NUMEROS DE SERIE EFFECTIFS
 NUMEROS DE SERIE EFECTIVOS
 U.S. 2021-2 TO 2555-2

700 SERIES
 SERIE 700

SECTION 1 PAGE 21
 SECCION 1 PAGINA 21

ISSUE No. 1
 N° D'ÉMISSION 1
 N° DE EDICION 1 REVISION A

ARTICULATION JOINT

JULY 1986

FOR LIST OF PARTS - TURN THIS PAGE

POUR LA LISTE DES PIÈCES - VOIR AU VERSO

PARA LA LISTA DE LAS PIEZAS - VER AL VERSO

SECTION SECCION		PAGE PAGINA		ISSUE No. N° D'ÉMISSION N° DE EDICION		2 REVISION A		ARTICULATION JOINT AND INDICATOR			APRIL 1987	
No. N° N°	PART No. N° DE PIÈCE N° DE PIEZA	DESCRIPTION DÉSCRIPTION DESCRIPCION		No. REQ N° REQ. N° REQ.	REMARKS REMARQUES NOTAS	No. N° N°	PART No. N° DE PIECE N° DE PIEZA	DESCRIPTION DÉSCRIPTION DESCRIPCION		No. REQ N° REQ. N° REQ.	REMARKS REMARQUES NOTAS	
1	12A-240	O RING		4		26	29E-04	GREASE FITTING		4		
2	12742	PIN		1	720A THRU 780A	27	14A-04	LOCKWASHER		2		
3	12743	PIN		1		28	14C-04	FLATWASHER		2		
4	12745	WASHER		1		29	30A-04	NUT		2		
5	12746	SPACER		1		30	14J-05	LOCKWASHER		1		
6	12747	SPACER		1		31	31A-05	NUT		1		
7	12759	RETAINER		4		32	50A-0606	BOLT		4		
8	12764	BEARING		2		33	50A-0620	BOLT		12		
9	19630	BEARING		4		34	14A-06	LOCKWASHER		16		
10	23996-1	PIN - ARTICULATION CYLINDER		4		35	14C-06	FLATWASHER		4		
11	24206-2	LOCKING PLATE		4		36	30A-06	NUT		12		
12	32569	LOCKING PIN		2		37	53L-1004	SCREW		2		
13	33650	PIN		1	710A	38	50A-1008	BOLT		4		
14	34134	SLEEVE		1	720A THRU 780A	39	14A-10	LOCKWASHER		4		
15	34250	SLEEVE		1	710A	40	14F-10	FLATWASHER		2		
16	34931	WASHER		1		41	50A-1664	BOLT		1	720A THRU 780A	
17	42058	CABLE ANCHOR		1		42	50A-1672	BOLT		1	710A	
18	42059	CABLE ANCHOR		1	REPAIR PART	43	36D-16	LOCKNUT		2		
19	42060	SLIDER BLOCK		1		44		ARTICULATION CYLINDER		REF.	SECTION 4 PAGE 14	
20	42061	ARTICULATION POINTER		1								
21	42062	INDICATOR BRACKET		1								
22	43138	CABLE		1								
23	43189	DECAL		1		45	23977	PIVOT LUG - REAR HINGE		A.R.	720A THRU 780A	
24	43139	BALL JOINT		1		46	24044	PIVOT LUG - FRONT HINGE		A.R.		
25	42056	SHIM - 10Ga.		A.R.	REPAIR PART	47	28942	PIVOT LUG - REAR HINGE		A.R.	710A	
	43586	SHIM - .25"		A.R.								
	43587	SHIM - .50"		A.R.								
	43588	SHIM - 1.00"		A.R.								

EFFECTIVE SERIAL NUMBERS)
 NUMEROSI DE SÉRIE EFFECTIFS)
 NUMEROSI DE SERIE EFECTIVOS)

20012, 20019 & UP

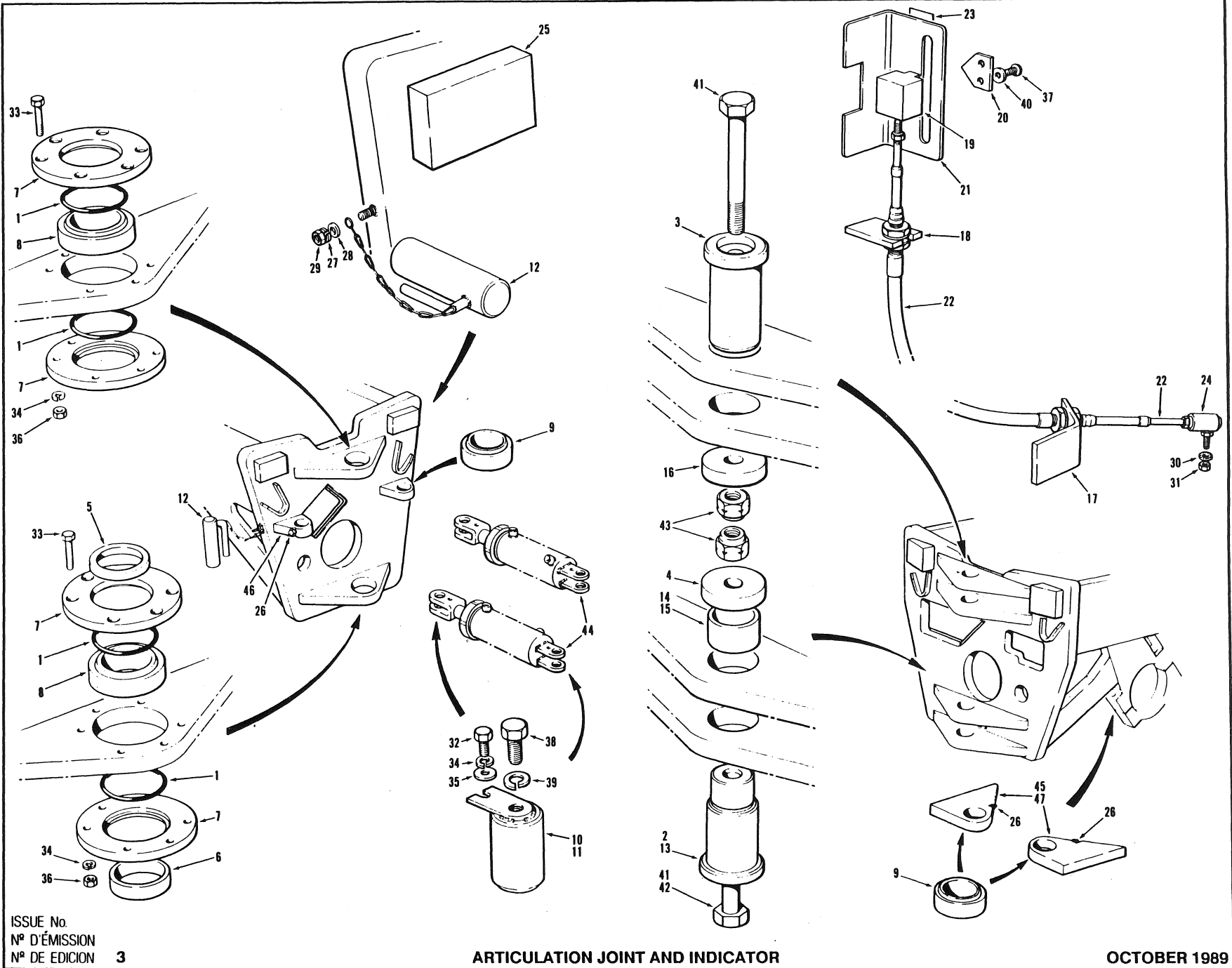
700 SERIES
 SERIE 700

SECTION
 SECCION

1

PAGE
 PAGINA

21



ISSUE No.
 N° D'ÉMISSION
 N° DE EDICION 3

ARTICULATION JOINT AND INDICATOR

OCTOBER 1989

FOR LIST OF PARTS - TURN THIS PAGE

POUR LA LISTE DES PIÈCES - VOIR AU VERSO

PARA LA LISTA DE LAS PIEZAS - VER AL VERSO

USE ONLY CHAMPION APPROVED PARTS

SECTION SECCION		PAGE PAGINA		ISSUE No. N° D'ÉMISSION N° DE EDICION		ARTICULATION JOINT AND INDICATOR				OCTOBER 1989	
No. N° N°	PART No. N° DE PIÈCE N° DE PIEZA	DESCRIPTION DÉSCRIPTION DESCRIPCION	No. REQ. N° REQ. N° REQ.	REMARKS REMARQUES NOTAS	No. N° N°	PART No. N° DE PIECE N° DE PIEZA	DESCRIPTION DÉSCRIPTION DESCRIPCION	No. REQ. N° REQ. N° REQ.	REMARKS REMARQUES NOTAS		
1	12A-240	O RING	4		26	29E-04	GREASE FITTING	4			
2	12742	PIN	1	720A thru 780A	27	14A-04	LOCKWASHER	2			
3	12743	PIN	1		28	14C-04	FLATWASHER	2			
4	12745	WASHER	1		29	30A-04	NUT	2			
5	12746	SPACER	1		30	14J-05	LOCKWASHER	1			
6	12747	SPACER	1		31	31A-05	NUT	1			
7	12759	RETAINER	4		32	50A-0606	BOLT	4			
8	12764	BEARING	2		33	50A-0620	BOLT	12			
9	19630	BEARING	4		34	14A-06	LOCKWASHER	16			
10	*49137	PIN - ARTICULATION CYLINDER - FRONT & REAR - FRONT	4	710A thru 730A	35	14C-06	FLATWASHER	4			
11	*53849	PIN - ARTICULATION CYLINDER	2	740 thru 780A	36	30A-06	NUT	12			
12	32569	LOCKING PIN	2	740A thru 780A	37	53L-1004	SCREW	2			
13	33650	PIN	1	710A	38	50A-1008	BOLT	4			
14	34134	SLEEVE	1	720A thru 780A	39	14A-10	LOCKWASHER	4			
15	34250	SLEEVE	1	710A	40	14F-10	FLATWASHER	2			
16	34931	WASHER	1		41	50A-1664	BOLT	1	720A thru 780A		
17	42058	CABLE ANCHOR	1	REPAIR	42	50a-1672	BOLT	1	710A		
18	42059	CABLE ANCHOR	1	PART	43	36D-16	LOCKNUT	2			
19	42060	SLIDER BLOCK	1								
20	42061	ARTICULATION POINTER	1		44		ARTICULATION CYLINDER	REF.	SECTION 4 PAGE 14		
21	42062	INDICATOR BRACKET	1								
22	43138	CABLE	1								
23	43189	DECAL	1								
24	43139	BALL JOINT	1								
25	42056	SHIM - 10 GA.	A.R.	REPAIR PART	45	23977	PIVOT LUG - REAR HINGE	A.R.	720A thru 780A		
	43586	SHIM - .25"	A.R.		46	*37709	PIVOT LUG - FRONT HINGE	A.R.			
	43587	SHIM - .50"	A.R.		47	*46922	PIVOT LUG - REAR HINGE	A.R.	710A		
	43588	SHIM - 1.00"	A.R.								

CHAMPION ROAD MACHINERY

EFFECTIVE SERIAL NUMBERS)
 NUMEROS) DE SERIE EFFECTIFS)
 NUMEROS) DE SERIE EFFECTIVOS)

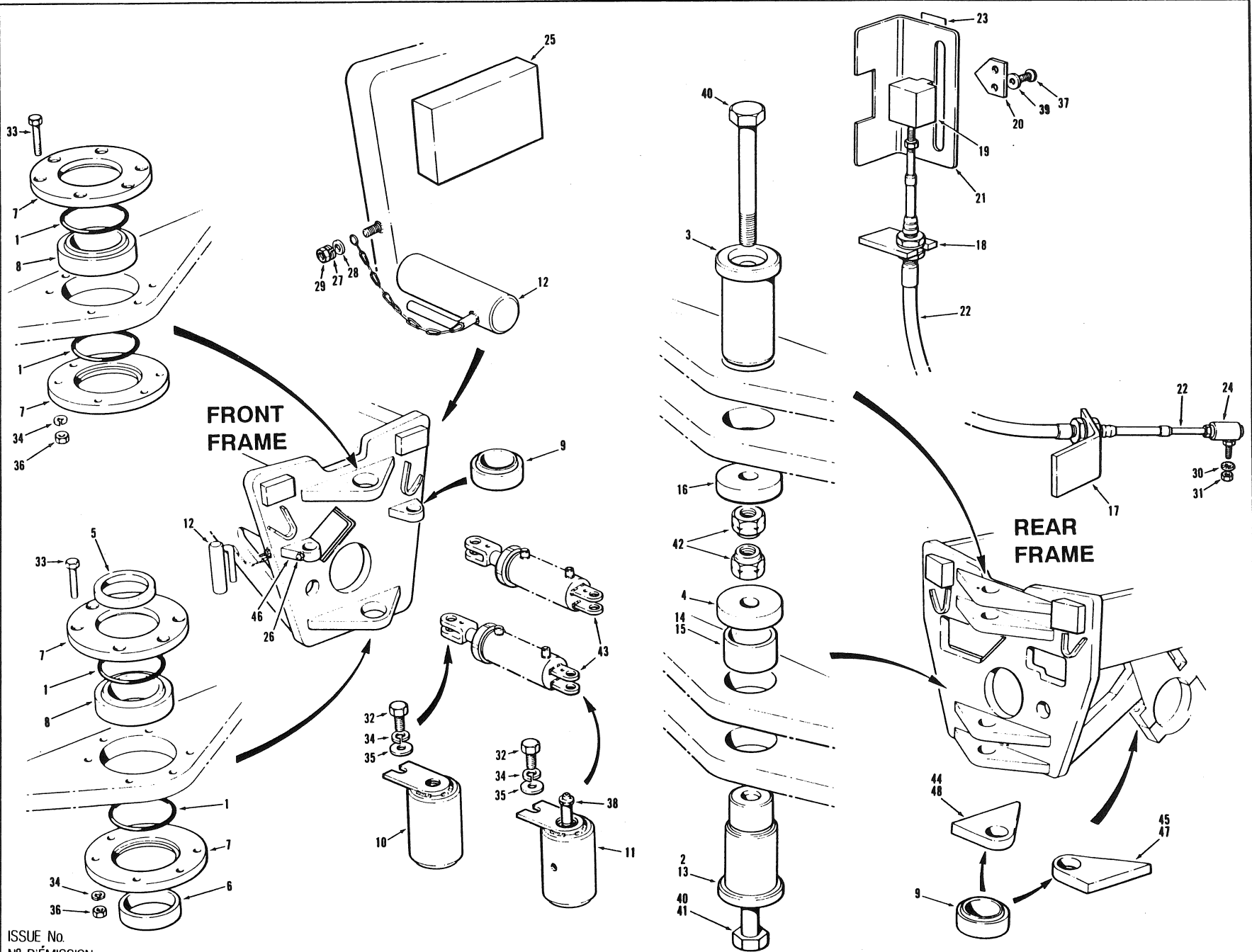
20627 TO 20891

700 SERIES
 SERIE 700

SECTION 1
 SECTION 1

PAGE 21
 PAGINA 21

ISSUE No.
 N° D'ÉMISSION
 N° DE EDICION 4



ARTICULATION JOINT & INDICATOR

SEPTEMBER 1990

FOR LIST OF PARTS - TURN THIS PAGE

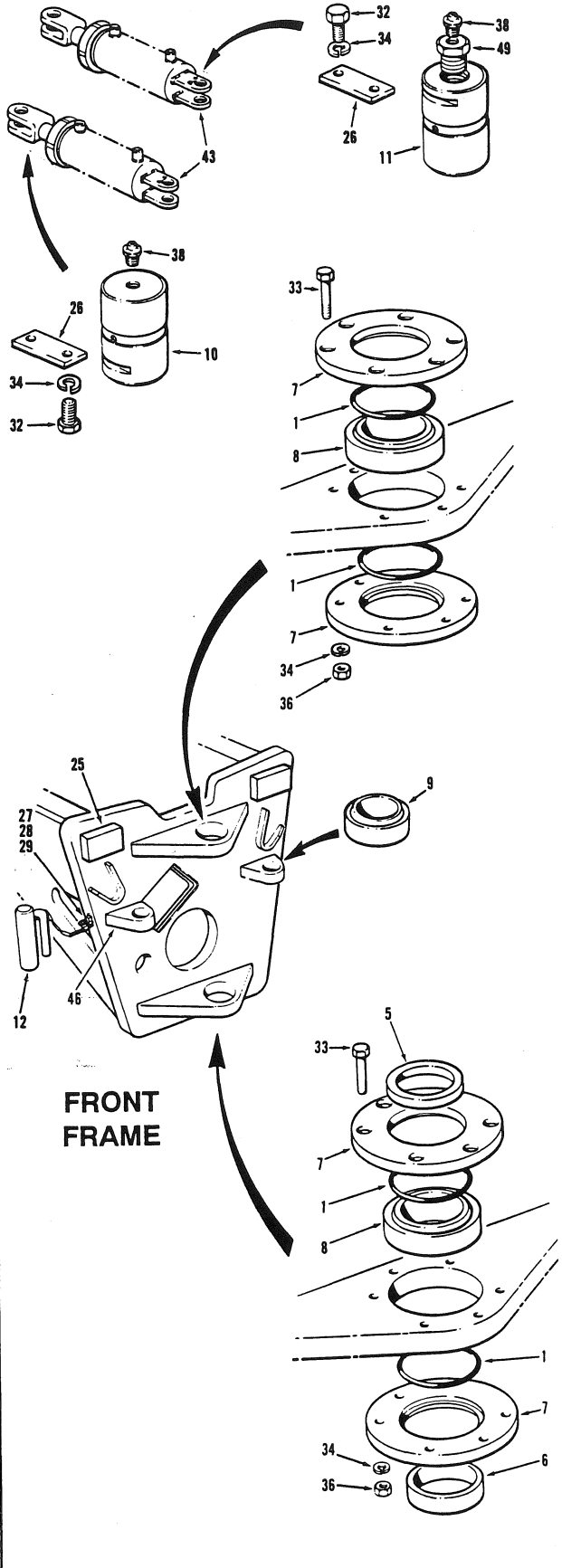
POUR LA LISTE DES PIÈCES - VOIR AU VERSO

PARA LA LISTA DE LAS PIEZAS - VER AL VERSO

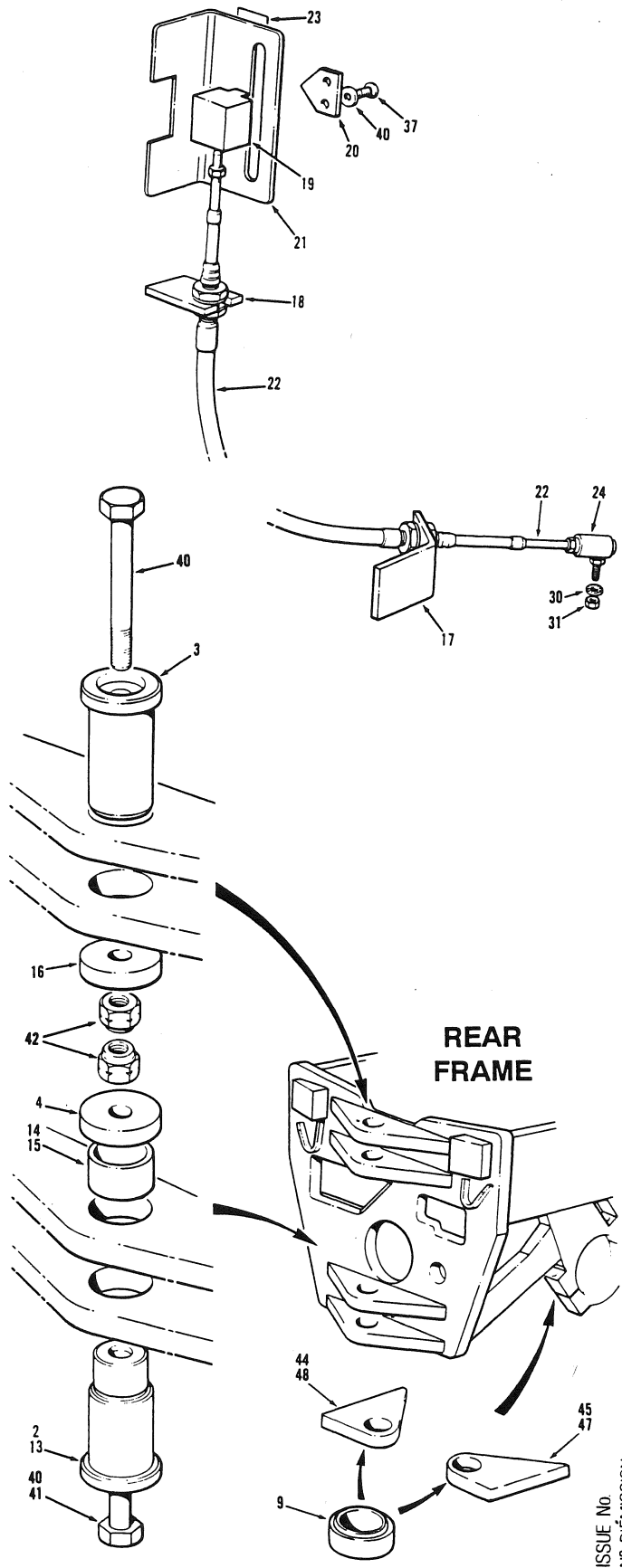
USE ONLY CHAMPION ROAD MACHINERY APPROVED PARTS

SECTION SECCION		PAGE PAGINA		ISSUE No. N° D'ÉMISSION N° DE EDICION		ARTICULATION JOINT AND INDICATOR				SEPTEMBER 1990	
No. N°	PART No. N° DE PIÈCE N° DE PIEZA	DESCRIPTION DESCRIPTION DESCRIPCION	No. REQ. N° REQ. N° REQ.	REMARKS REMARQUES NOTAS	No. N°	PART No. N° DE PIECE N° DE PIEZA	DESCRIPTION DESCRIPTION DESCRIPCION	No. REQ. N° REQ. N° REQ.	REMARKS REMARQUES NOTAS		
1	12A-240	O RING	4		26	29E-04	GREASE FITTING	2			
2	12742	PIN	1	720A thru 780A	27	14A-04	LOCKWASHER	2			
3	12743	PIN	1		28	14C-04	FLATWASHER	2			
4	12745	WASHER	1		29	30A-04	NUT	2			
5	12746	SPACER	1		30	14J-05	LOCKWASHER	1			
6	12747	SPACER	1		31	31A-05	NUT	1			
7	12759	RETAINER	4		32	50A-0606	BOLT	6			
8	12764	BEARING	2		33	50A-0620	BOLT	12			
9	19630	BEARING	4		34	14A-06	LOCKWASHER	18			
10	49137	PIN - ARTICULATION CYLINDER - FRONT	2	710A thru 780A	35	14C-06	FLATWASHER	6			
11	*56728	PIN - ARTICULATION CYLINDER - REAR	2	710A	36	30A-06	NUT	12			
	*56729	PIN - ARTICULATION CYLINDER - REAR	2	720A thru 780A	37	53L-1004	SCREW	2			
12	32569	LOCKING PIN	2		38	*29G-01	GREASE FITTING	2			
13	33650	PIN	1	710A	39	14F-10	FLATWASHER	2			
14	34134	SLEEVE	1	720A thru 780A							
15	34250	SLEEVE	1	710A	40	50A-1664	BOLT	1	720A thru 780A		
16	34931	WASHER	1		41	50A-1672	BOLT	1	710A		
17	42058	CABLE ANCHOR	1	} REPAIR PART	42	36D-16	LOCKNUT	2			
18	42059	CABLE ANCHOR	1								
19	42060	SLIDER BLOCK	1			43		ARTICULATION CYLINDER	REF.	SECTION 4 PAGE 43	
20	42061	ARTICULATION POINTER	1								
21	42062	INDICATOR BRACKET	1								
22	43138	CABLE	1								
23	43189	DECAL	1								
24	43139	BALL JOINT	1								
	42056	SHIM - 10 GA.	1	} REPAIR PART	44	*56726	PIVOT LUG - REAR HINGE - R.H.	1	720A thru 780A		
	43586	SHIM - .25"	1-2			45	*56727	PIVOT LUG - REAR HINGE - L.H.	1	720A thru 780A	
25	43587	SHIM - .50"	1			46	37709	PIVOT LUG - FRONT HINGE - R.H. & L.H.	2		
	43588	SHIM - 1.00"	1			47	*56725	PIVOT LUG - REAR HINGE - L.H.	1	710A	
					48	*56747	PIVOT LUG - REAR HINGE - R.H.	1	710A		

CHAMPION ROAD MACHINERY



FRONT FRAME



REAR FRAME

FEBRUARY 1991

ARTICULATION JOINT & INDICATOR

FOR LIST OF PARTS - TURN THIS PAGE POUR LA LISTE DES PIÉCES - VOIR AU VERSO PARA LA LISTA DE LAS PIEZAS - VER AL VERSO

5 REVISION A

ISSUE No.
N° D'ÉMISSION
N° DE EDICIÓN

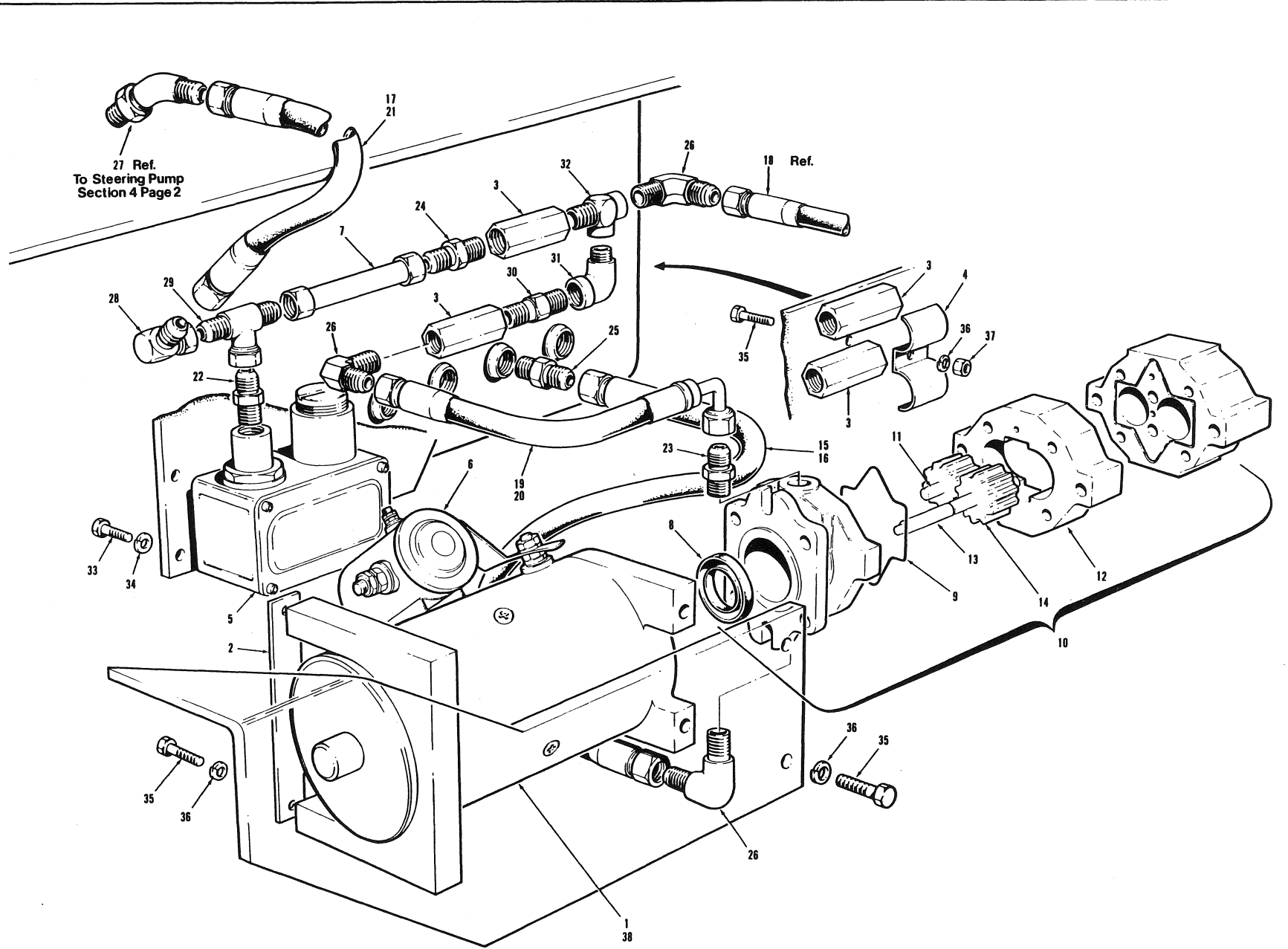
EFFECTIVE SERIAL NUMBER(S) 20893 & UP
NUMERO(S) DE SÉRIE EFFECTIF(S)
NUMERO(S) DE SERIE EFECTIVO(S)

700 SERIES
SERIE 700

SECTION 1 **PAGE 21**
SECCION 1 **PAGINA 21**

SECTION SECCION		PAGE PAGINA		ISSUE No. N° D'ÉMISSION N° DE EDICION		5 REVISION A		ARTICULATION JOINT AND INDICATOR		FEBRUARY 1991	
No. N° N°	PART No. N° DE PIÈCE N° DE PIEZA	DESCRIPTION DÉSCRIPTION DESCRIPCION	No. REQ. N° REQ. N° REQ.	REMARKS REMARQUES NOTAS	No. N° N°	PART No. N° DE PIECE N° DE PIEZA	DESCRIPTION DÉSCRIPTION DESCRIPCION	No. REQ. N° REQ. N° REQ.	REMARKS REMARQUES NOTAS		
1	12A-240	O RING	4		26	56909	LOCKING PLATE	4			
2	12742	PIN	1	720A thru 780A	27	14A-04	LOCKWASHER	2			
3	12743	PIN	1		28	14C-04	FLATWASHER	2			
4	12745	WASHER	1		29	30A-04	NUT	2			
5	12746	SPACER	1		30	14J-05	LOCKWASHER	1			
6	12747	SPACER	1		31	31A-05	NUT	1			
7	12759	RETAINER	4		32	50A-0606	BOLT	8			
8	12764	BEARING	2		33	50A-0620	BOLT	12			
9	19630	BEARING	4		34	14A-06	LOCKWASHER	20			
10	59327	PIN - ARTICULATION CYLINDER - FRONT	2		35	14C-06	FLATWASHER	4			
11	59450	PIN - ARTICULATION CYLINDER - REAR	2		36	30A-06	NUT	12			
12	32569	LOCKING PIN	2		37	53L-1004	SCREW	2			
13	33650	PIN	1	710A	38	28A-04	GREASE FITTING	4			
14	34134	SLEEVE	1	720A thru 780A	39	14F-10	FLATWASHER	2			
15	34250	SLEEVE	1	710A							
16	34931	WASHER	1		40	50A-1664	BOLT	1	720A thru 780A		
17	42058	CABLE ANCHOR	1	} REPAIR PART	41	50A-1672	BOLT	1	710A		
18	42059	CABLE ANCHOR	1		42	36D-16	LOCKNUT	2			
19	42060	SLIDER BLOCK	1								
20	42061	ARTICULATION POINTER	1		43		ARTICULATION CYLINDER	REF.	Sect 4 Pg 43		
21	42062	INDICATOR BRACKET	1								
22	43138	CABLE	1								
23	43189	DECAL	1								
24	43139	BALL JOINT	1								
	42056	SHIM - 10 GA.	1	} REPAIR PART	44	56726	PIVOT LUG - REAR HINGE - R.H.	1	720A thru 780A		
	43586	SHIM - .25"	1-2		45	56727	PIVOT LUG - REAR HINGE - L.H.	1	720A thru 780A		
25	43587	SHIM - .50"	1		46	37709	PIVOT LUG - FRONT HINGE - R.H. & L.H.	2			
	43588	SHIM - 1.00"	1		47	56725	PIVOT LUG - REAR HINGE - L.H.	1	710A		
					48	56747	PIVOT LUG - REAR HINGE - R.H.	1	710A		
					49	*59448	PLUG - PIN ARTICULATION CYLINDER - REAR	2			

CHAMPION ROAD MACHINERY



EFFECTIVE SERIAL NUMBER(S)
 NUMEROS DE SÉRIE EFFECTIF(S)
 U.S. 2553-2 TO 2658-2

17409 TO 19842

700 SERIES
 SERIE 700

SECTION 1 PAGE 23
 SECTION 1 PAGE 23

ISSUE No.
 N° D'ÉMISSION
 N° DE EDICION 1 REVISION D

SUPPLEMENTAL STEERING

MAY 1989

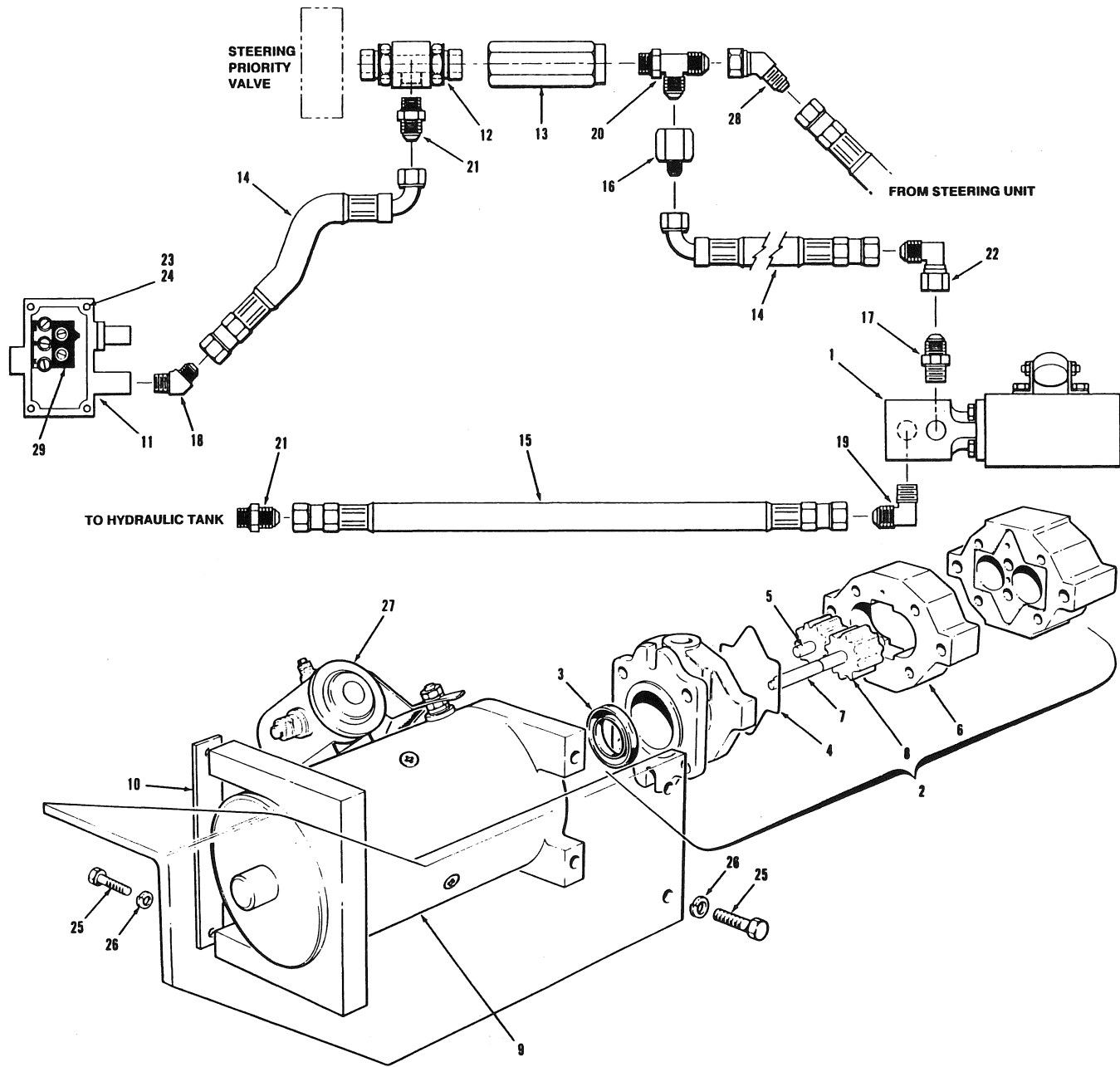
FOR LIST OF PARTS - TURN THIS PAGE POUR LA LISTE DES PIÈCES - VOIR AU VERSO PARA LA LISTA DE LAS PIEZAS - VER AL VERSO

USE ONLY CHAMPION APPROVED PARTS

SECTION SECCION		PAGE PAGINA	ISSUE No. N° D'ÉMISSION N° DE EDICION	1 REVISION D		SUPPLEMENTAL STEERING			MAY 1989	
No. N° N°	PART No. N° DE PIÈCE N° DE PIEZA	DESCRIPTION DÉSCRIPTION DESCRIPCION	No. REQ. N° REQ. N° REQ.	REMARKS REMARQUES NOTAS	No. N° N°	PART No. N° DE PIÈCE N° DE PIEZA	DESCRIPTION DÉSCRIPTION DESCRIPCION	No. REQ. N° REQ. N° REQ.	REMARKS REMARQUES NOTAS	
							<u>INSTALLATION KITS</u>			
1	15979	PUMP ASSEMBLY - C/W MOTOR & ITEMS 6 & 10	1							
2	24995	STRAP	1			43776	COMPLETE INSTALLATION KIT FOR GRADER MODEL 740 THRU 780A	A.R.	12 VOLT	
3	24997	CHECK VALVE	2							
4	27756	HOSE CLAMP	1			*43897	COMPLETE INSTALLATION KIT FOR GRADER MODEL 710 & 710A	A.R.	12 VOLT	
5	27849	SWITCH	1							
6	35215	SOLENOID	1			44627	COMPLETE INSTALLATION KIT FOR GRADER MODEL 720 THRU 730A	A.R.	12 VOLT UP TO S/N 19424	
7	43473	TUBE ASSY.	1							
8	44740	OIL SEAL	1							
9	44741	SEAL RING	2			48129	COMPLETE INSTALLATION KIT FOR GRADER MODEL 740 THRU 780A	A.R.	12/24 VOLT	
10	44739	PUMP	1							
11	45042	SHAFT ASSY.	1			48130	COMPLETE INSTALLATION KIT FOR GRADER MODEL 710 & 710A	A.R.	12/24 VOLT	
12	45043	GEAR PLATE	1							
13	45044	DRIVE SHAFT	1			48131	COMPLETE INSTALLATION KIT FOR GRADER MODEL 720 THRU 730A	A.R.	12/24 VOLT UP TO S/N 19424	
14	45045	GEAR	1							
15	9313 X 18	HOSE	1	6BT5.9 6CT8.3						
16	9313 X 22	HOSE	1	LT-10-C		*52382	COMPLETE INSTALLATION KIT FOR GRADER MODELS 720 THRU 730A	A.R.	12 VOLT S/N 19425 & UP	
17	9313 X 42	HOSE	1	6BT5.9 6CT8.3						
18	9313 X 223	HOSE	REF.							
19	14382 X 12	HOSE	1	6BT5.9 6CT8.3		*52383	COMPLETE INSTALLATION KIT FOR GRADER MODELS 720 THRU 730A	A.R.	12/24 VOLT S/N 19425 & UP	
20	14382 X 14	HOSE	1	LT-10-C						
21	14382 X 42	HOSE	1	LT-10-C						
22	110G-0804	CONNECTOR	1			NOTE	THE KITS LISTED ABOVE INCLUDE ALL HOSES, BRACKETS, FITTINGS, PUMP, WIRING HARNESSSES ETC. TO INSTALL A COMPLETE SYSTEM ON ANY CHAMPION MODEL 8400 TRANSMISSION EQUIPPED GRADER.			
23	110G-0806	CONNECTOR	1							
24	110G-0808	CONNECTOR	1							
25	111E-0812	CONNECTOR	1							
26	110R-0808	CONNECTOR	3							
27	111A-0808	CONNECTOR	REF.							
28	112B-08	CONNECTOR	1							
29	112D-08	CONNECTOR	1							
30	115A-0808	CONNECTOR	1							
31	115J-0808	CONNECTOR	1							
32	115V-0808	CONNECTOR	1							
33	50A-0406	BOLT	4							
34	14A-04	LOCKWASHER	4							
35	50A-0612	BOLT	5							
36	14A-06	LOCKWASHER	5							
37	30A-06	NUT	1							
38	45627	MOTOR	1							

SECTION SECCION		PAGE PAGINA		ISSUE No. N° D'ÉMISSION N° DE EDICION		SUPPLEMENTAL STEERING				MAY 1989	
No. N° N°	PART No. N° DE PIÈCE N° DE PIEZA	DESCRIPTION DESCRIPTION DESCRIPCION	No. REQ N° REQ. N° REQ.	REMARKS REMARQUES NOTAS	No. N° N°	PART No. N° DE PIECE N° DE PIEZA	DESCRIPTION DESCRIPTION DESCRIPCION	No. REQ N° REQ. N° REQ.	REMARKS REMARQUES NOTAS		
							<u>INSTALLATION KITS</u>				
1	15979	PUMP ASSEMBLY - C/W MOTOR & ITEMS 6 & 10	1								
2	24995	STRAP	1			*48929	COMPLETE INSTALLATION KIT FOR GRADER	A.R.	12 VOLT		
3	24997	CHECK VALVE	2				MODEL 740 THRU 780A				
4	27849	SWITCH	1			*48927	COMPLETE INSTALLATION KIT FOR GRADER	A.R.	12 VOLT		
5	35215	SOLENOID	1				MODEL 710 & 710A				
6	43473	TUBE ASSY.	1			*48928	COMPLETE INSTALLATION KIT FOR GRADER	A.R.	12 VOLT		
7	44740	OIL SEAL	1				MODEL 720 THRU 730A				
8	44741	SEAL RING	2								
9	44739	PUMP	1			*48932	COMPLETE INSTALLATION KIT FOR GRADER	A.R.	12/24 VOLT		
10	45042	SHAFT ASSY.	1				MODELS 740 THRU 780A				
11	45043	GEAR PLATE	1								
12	45044	DRIVE SHAFT	1			*48930	COMPLETE INSTALLATION KIT FOR GRADER	A.R.	12/24 VOLT		
13	45045	GEAR	1				MODELS 710 & 710A				
14	*40975	HOSE CLAMP	1								
15	9313 X 18	HOSE	1	6BT5.9 6CT8.3 LT-10-C		*48931	COMPLETE INSTALLATION KIT FOR GRADER	A.R.	12/24 VOLT		
16	9313 X 22	HOSE	1				MODELS 720 THRU 730A				
17	9313 X 223	HOSE	REF.			*NOTE	THE KITS LISTED ABOVE INCLUDE ALL HOSES, BRACKETS, FITTINGS, PUMP, WIRING, HARNESSSES ETC. TO INSTALL A COMPLETE SYSTEM ON ANY CHAMPION MODEL 8400 TRANSMISSION EQUIPPED GRADER.				
18	14382 X 12	HOSE	1	6BT5.9 6CT8.3 LT-10-C							
19	14382 X 14	HOSE	1								
20	14382 X 42	HOSE	1								
21	110G-0804	CONNECTOR	1								
22	110G-0806	CONNECTOR	1								
23	110G-0808	CONNECTOR	1								
24	111E-0812	CONNECTOR	1								
25	110R-0808	CONNECTOR	3								
26	111A-0808	CONNECTOR	REF.								
27	112B-08	CONNECTOR	1-2								
28	112D-08	CONNECTOR	1								
29	115A-0808	CONNECTOR	1								
30	115J-0808	CONNECTOR	1								
31	115V-0808	CONNECTOR	1								
32	50A-0406	BOLT	4								
33	14A-04	LOCKWASHER	4								
34	50A-0612	BOLT	5								
35	14A-06	LOCKWASHER	5								
36	30A-06	NUT	1								
37	45627	MOTOR	1								

CHAMPION ROAD MACHINERY



EFFECTIVE SERIAL NUMBERS) 19982, 19984, 19985, 19986,
 NUMEROS) DE SERIE EFFECTIFS) 20005, 20104, 20106, 20120
 NUMEROS) DE SERIE EFFECTIVOS) & UP

700 SERIES
 SERIE 700

SECTION 1 PAGE 23
 SECCION 1 PAGINA 23

ISSUE No.
 N° D'ÉMISSION
 N° DE EDICION

3 REVISION B

SUPPLEMENTAL STEERING

MARCH 1990

FOR LIST OF PARTS - TURN THIS PAGE

POUR LA LISTE DES PIÈCES - VOIR AU VERSO

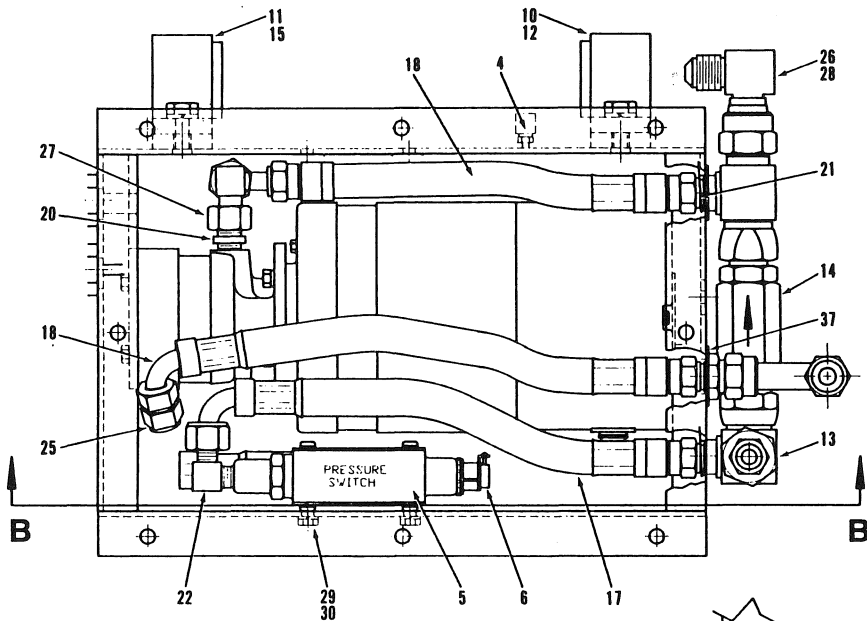
PARA LA LISTA DE LAS PIEZAS - VER AL VERSO

USE ONLY CHAMPION ROAD MACHINERY APPROVED PARTS

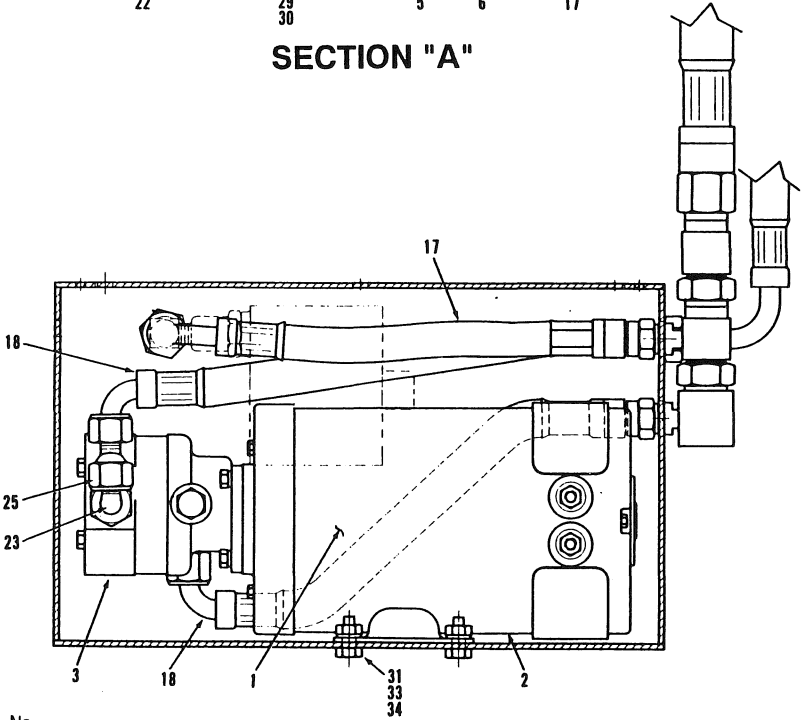
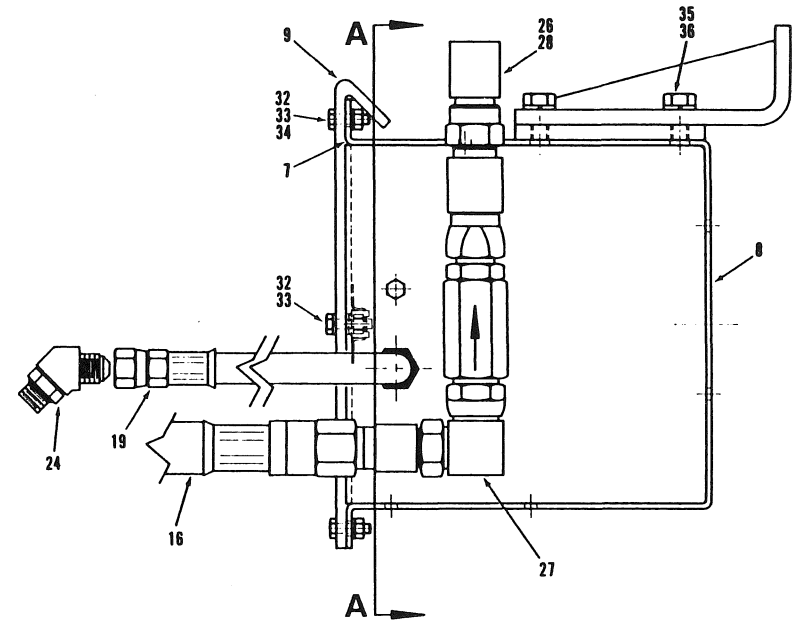
SECTION 1		PAGE 24	ISSUE No. N° D'ÉMISSION N° DE EDICION	3 REVISION B	SUPPLEMENTAL STEERING				MARCH 1990
No. N° N°	PART No. N° DE PIÈCE N° DE PIEZA	DESCRIPTION DESCRIPTION DESCRIPCION	No. REQ. N° REQ. N° REQ.	REMARKS REMARQUES NOTAS	No. N° N°	PART No. N° DE PIÈCE N° DE PIEZA	DESCRIPTION DESCRIPTION DESCRIPCION	No. REQ. N° REQ. N° REQ.	REMARKS REMARQUES NOTAS
1	15979	PUMP ASSEMBLY C/W ITEMS 2 TO 9 - 12 VOLT	1						
	*43005	PUMP ASSEMBLY C/W ITEMS 2 TO 9 - 24 VOLT	1						
2	44739	PUMP	1						
3	44740	OIL SEAL	1						
4	44741	SEAL RING	1						
5	45042	SHAFT ASSEMBLY	1						
6	45043	GEAR PLATE	1						
7	45044	DRIVE SHAFT	1						
8	45045	GEAR	1						
9	45627	MOTOR - 12 VOLT	1						
	*38316	MOTOR - 24 VOLT	1						
10	24995	STRAP	1						
11	27849	SWITCH ASSEMBLY - INCLUDES ITEM 29	1						
12	53910	TEE	1						
13	53927	CHECK VALVE	1						
14	14382 x 12	HOSE	2						
15	9313 x 30	HOSE	1						
16	110AH-1208	CONNECTOR	1						
17	110G-0806	CONNECTOR	1						
18	110P-0804	CONNECTOR	1						
19	110R-0808	CONNECTOR	1						
20	111D-1212	TEE	1						
21	111E-0808	CONNECTOR	2						
22	112B-08	CONNECTOR	1						
23	50A-0406	BOLT	4						
24	14A-06	LOCKWASHER	4						
25	50A-0612	BOLT	4						
26	14A-06	LOCKWASHER	4						
27	35215	SOLENOID - 12 VOLT	1						
	*38317	SOLENOID - 24 VOLT	1						
28	112A-08	CONNECTOR	1	740 thru 780A					
29	53919	SWITCH	1						

CHAMPION ROAD MACHINERY

EFFECTIVE SERIAL NUMBERS) 20926 & UP
 NUMEROSI DE SÉRIE EFFECTIFS)
 NUMEROSI DE SÉRIE EFFECTIVOS)



SECTION "A"



SECTION "B"

SUPPLEMENTAL STEERING

ISSUE No.
 N° D'ÉMISSION
 N° DE EDICION 4

700 SERIES
 SERIE 700
 SECTION 1
 SECTION 1
 PAGE
 PAGINA
 23

FOR LIST OF PARTS - TURN THIS PAGE

POUR LA LISTE DES PIÈCES - VOIR AU VERSO

PARA LA LISTA DE LAS PIEZAS - VER AL VERSO

SEPTEMBER 1990

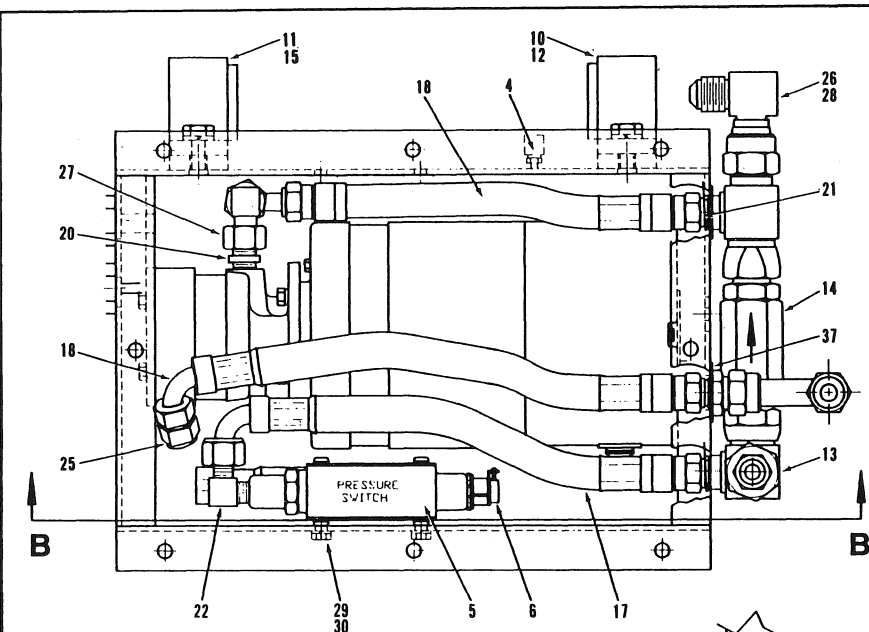
USE ONLY CHAMPION ROAD MACHINERY APPROVED PARTS

SECTION SECCION		PAGE PAGINA		ISSUE No. N° D'ÉMISSION N° DE EDICION		SUPPLEMENTAL STEERING			SEPTEMBER 1990	
No. N° N°	PART No. N° DE PIÈCE N° DE PIEZA	DESCRIPTION DÉSCRIPTION DESCRIPCION	No. REQ. N° REQ. N° REQ.	REMARKS REMARQUES NOTAS	No. N° N°	PART No. N° DE PIECE N° DE PIEZA	DESCRIPTION DÉSCRIPTION DESCRIPCION	No. REQ. N° REQ. N° REQ.	REMARKS REMARQUES NOTAS	
1	*58079	PUMP AND MOTOR ASSEMBLY - INCLUDES ITEMS 2 & 3	1							
2	*58456	MOTOR	1							
3	*58457	PUMP	1							
4	*3689	VENT	1							
5	27849	SWITCH ASSEMBLY	1							
6	*45240	CONNECTOR	1							
7	*45378 x 48	WEATHER SEAL	1							
8	*54367	BOX ASSEMBLY	1							
9	*54371	COVER	1							
10	*54374	BRACKET R.H.	1	740 thru 780A						
11	*54377	BRACKET L.H.	1	740 thru 780A						
12	*54374	BRACKET R.H.	1	710 thru 730A						
13	*54386	TEE	1							
14	*54388	CHECK VALVE	1							
15	*54377	BRACKET L.H.	1	710 thru 730A						
16	*14362 x 20	HOSE	1							
17	14382 x 12	HOSE	1							
18	*14382 x 14	HOSE	2							
19	*14382 x 18	HOSE	1							
20	110G-0806	CONNECTOR	1							
21	*110N-08	CONNECTOR	1							
22	*110R-0806	CONNECTOR	1							
23	110R-0808	CONNECTOR	1							
24	*111A-0808	CONNECTOR	1							
25	112A-08	CONNECTOR	1							
26	*112A-12	CONNECTOR	1	740 thru 780A						
27	112B-08	CONNECTOR	1							
28	*112B-12	CONNECTOR	1	710 thru 730A						
29	*50A-0404	BOLT	8							
30	*14A-04	LOCKWASHER	8							
31	*50A-0506	BOLT	4							
32	*50A-0508	BOLT	9							
33	*14A-05	LOCKWASHER	11							
34	*30A-05	NUT	10							
35	*50A-0608	BOLT	4							
36	14A-06	LOCKWASHER	4							
37	*14S-12	WASHER	2							

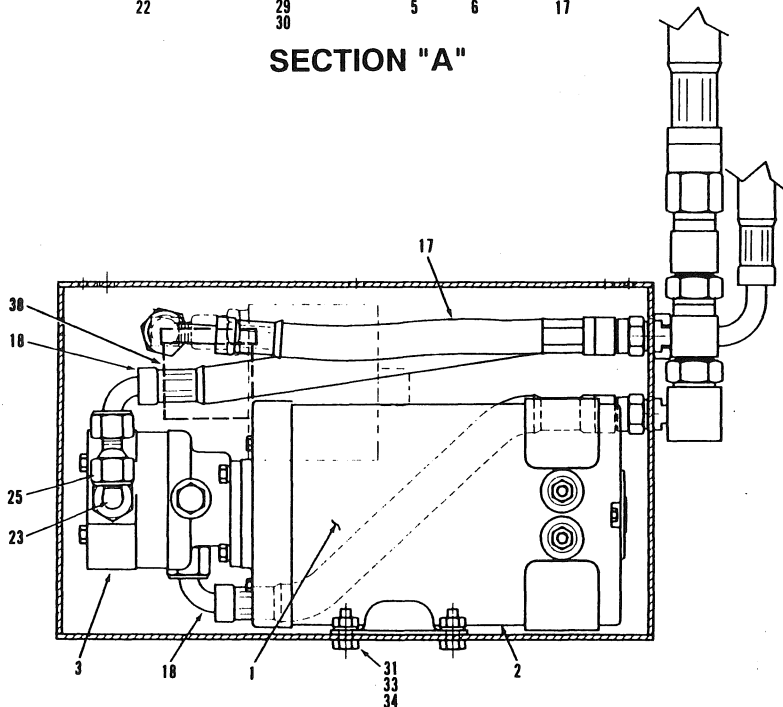
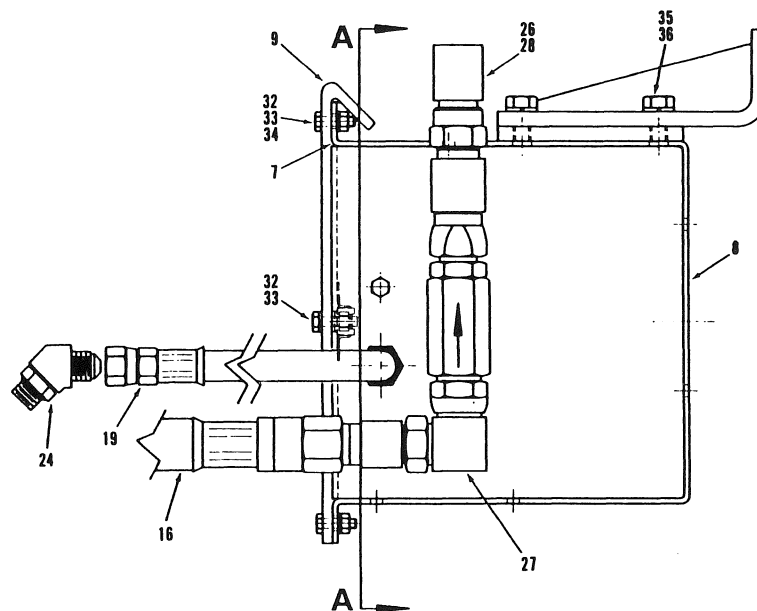
EFFECTIVE SERIAL NUMBERS) 21481 & UP
 NUMEROS) DE SÉRIE EFFECTIFS) EXCLUIND 21485,
 NUMEROS) DE SÉRIE EFFECTIVOS) 21488 & 21489

700 SERIES
 SERIE 700

SECTION 1
 SECTION 1
 PAGE 23
 PAGINA 23



SECTION "A"



SECTION "B"

ISSUE No. 5
 N° D'ÉMISSION 5
 N° DE EDICION 5

SUPPLEMENTAL STEERING

JUNE 1991

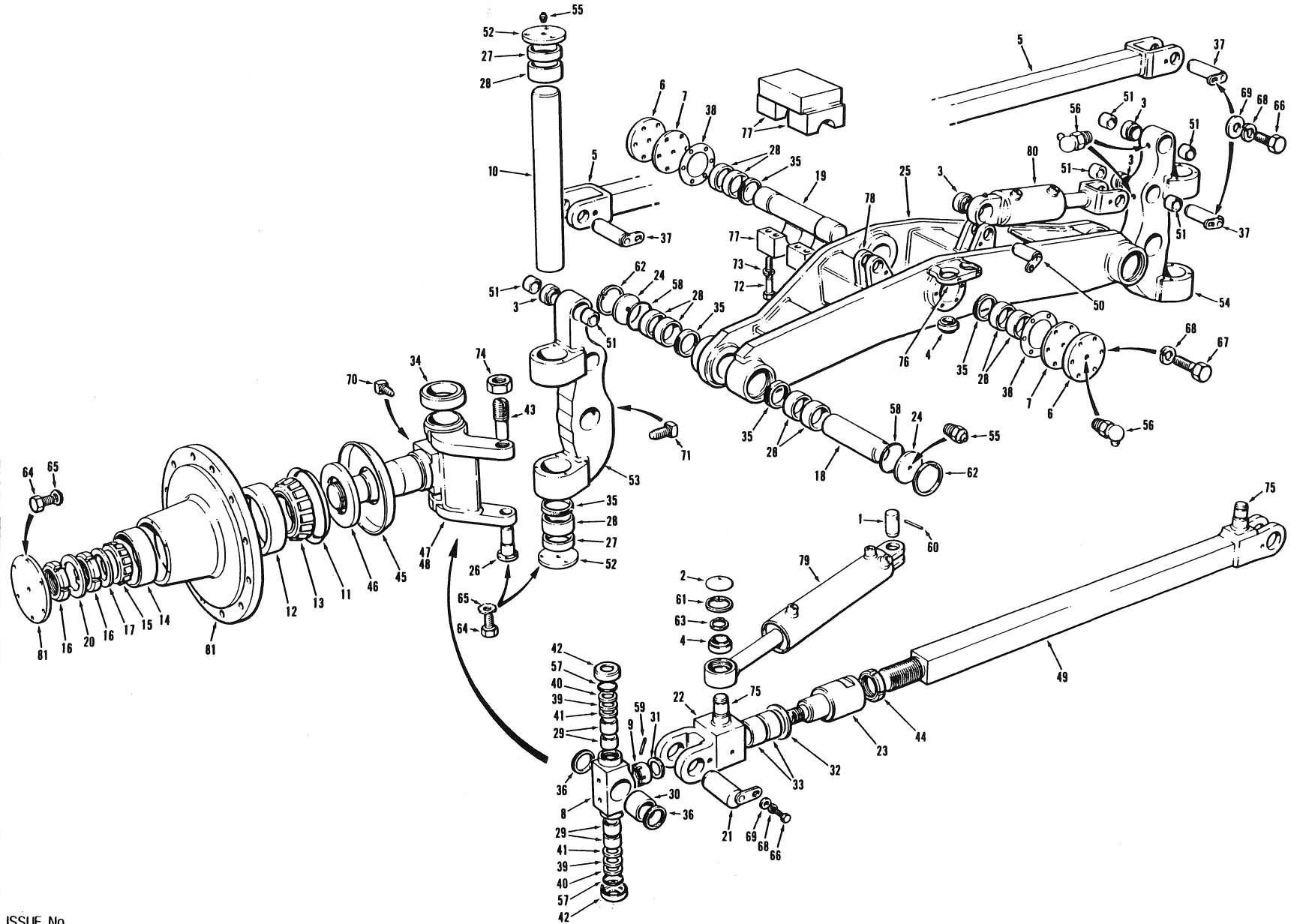
FOR LIST OF PARTS - TURN THIS PAGE

POUR LA LISTE DES PIÈCES - VOIR AU VERSO

PARA LA LISTA DE LAS PIEZAS - VER AL VERSO

SECTION SECCION		PAGE PAGINA		ISSUE No. N° D'ÉMISSION N° DE EDICION		SUPPLEMENTAL STEERING				JUNE 1991	
No. N° N°	PART No. N° DE PIÈCE N° DE PIEZA	DESCRIPTION DESCRIPTION DESCRIPCION	No. REQ. N° REQ. N° REQ.	REMARKS REMARQUES NOTAS	No. N° N°	PART No. N° DE PIECE N° DE PIEZA	DESCRIPTION DESCRIPTION DESCRIPCION	No. REQ. N° REQ. N° REQ.	REMARKS REMARQUES NOTAS		
1	58079	PUMP AND MOTOR ASSEMBLY - INCLUDES ITEMS 2 & 3	1								
2	58456	MOTOR	1								
3	58457	PUMP	1								
4	3689	VENT	1								
5	27849	SWITCH ASSEMBLY	1								
6	45240	CONNECTOR	1								
7	45378 x 48	WEATHER SEAL	1								
8	*58581	BOX ASSEMBLY	1								
9	54371	COVER	1								
10	54374	BRACKET R.H.	1	740 thru 780A							
11	54377	BRACKET L.H.	1	740 thru 780A							
12	*54380	BRACKET R.H.	1	710 thru 730A							
13	54386	TEE	1								
14	54388	CHECK VALVE	1								
15	*54434	BRACKET L.H.	1	710 thru 730A							
16	14362 x 20	HOSE	1								
17	14382 x 12	HOSE	1								
18	14382 x 14	HOSE	2								
19	14382 x 18	HOSE	1								
20	110G-0806	CONNECTOR	1								
21	110N-08	CONNECTOR	1								
22	*110R-0804	CONNECTOR	1								
23	110R-0808	CONNECTOR	1								
24	111A-0808	CONNECTOR	1								
25	112A-08	CONNECTOR	1								
26	112A-12	CONNECTOR	1	740 thru 780A							
27	112B-08	CONNECTOR	1								
28	112B-12	CONNECTOR	1	710 thru 730A							
29	50A-0404	BOLT	8								
30	14A-04	LOCKWASHER	8								
31	50A-0506	BOLT	4								
32	50A-0508	BOLT	9								
33	14A-05	LOCKWASHER	11								
34	30A-05	NUT	10								
35	50A-0608	BOLT	4								
36	14A-06	LOCKWASHER	4								
37	14S-12	WASHER	2								
38	*54389	SOLENOID	1								

CHAMPION ROAD MACHINERY



FRONT AXLE - MODELS 780 & 780A

ISSUE No.
 N° D'ÉMISSION
 N° DE EDICION **1 REVISION B**

OCTOBER 1989

FOR LIST OF PARTS - TURN THIS PAGE

POUR LA LISTE DES PIÈCES - VOIR AU VERSO

PARA LA LISTA DE LAS PIEZAS - VER AL VERSO

USE ONLY  APPROVED PARTS

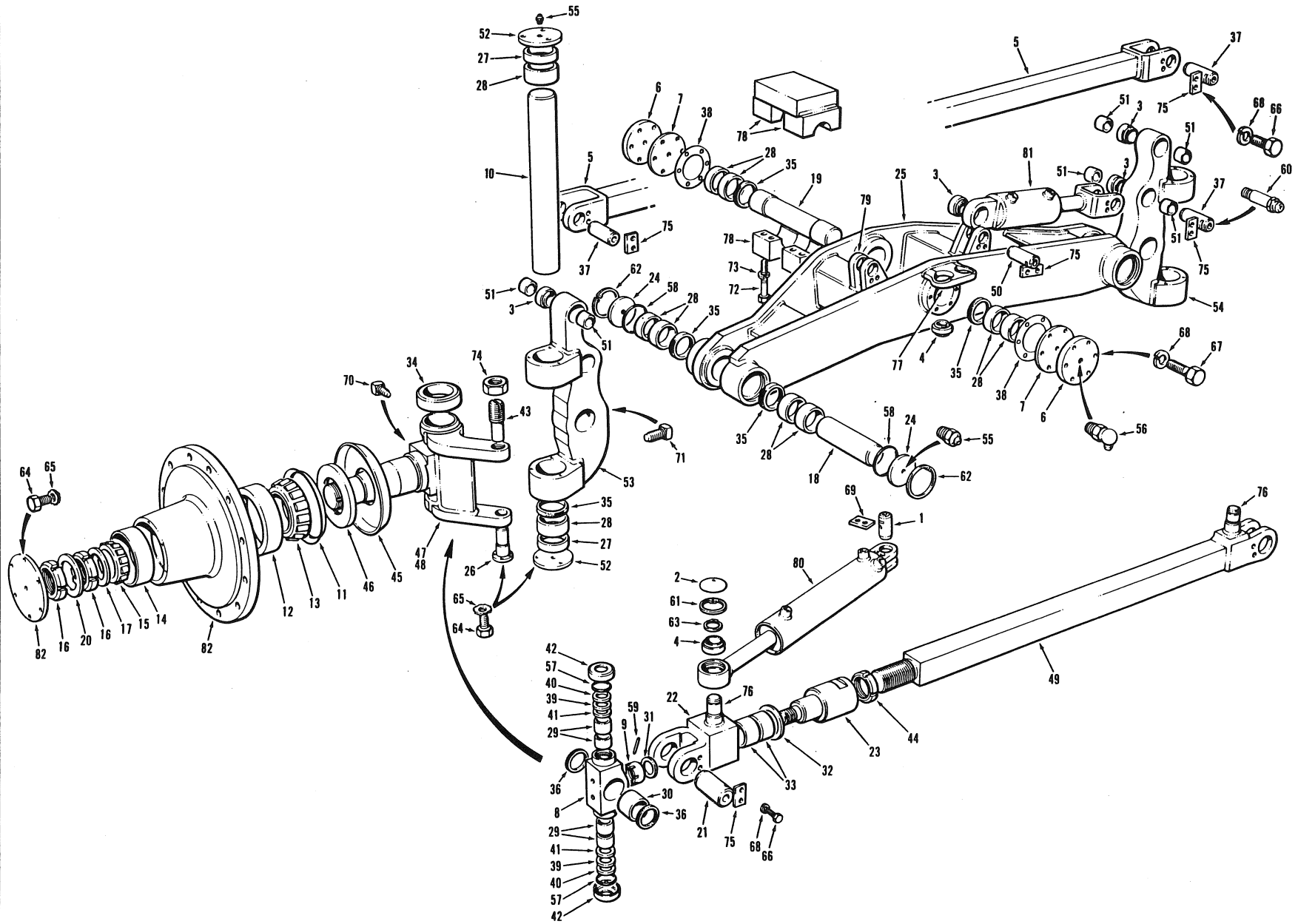
EFFECTIVE SERIAL NUMBERS) 17430 & UP
 NUMEROS) DE SERIE EFFECTIFS)
 NUMEROS) DE SERIE EFFECTIVOS)

700 SERIES
 SERIE 700

SECTION 1 PAGE 25
 SECCION 1 PAGINA 25

SECTION SECCION		PAGE PAGINA		ISSUE No. N° D'ÉMISSION N° DE EDICION		1 REVISION B		FRONT AXLE - MODELS 780 & 780A			OCTOBER 1989	
No. N°	PART No. N° DE PIÈCE N° DE PIEZA	DESCRIPTION DESCRIPTION DESCRIPCION	No. REQ. N° REQ. N° REQ.	REMARKS REMARQUES NOTAS	No. N°	PART No. N° DE PIÈCE N° DE PIEZA	DESCRIPTION DESCRIPTION DESCRIPCION	No. REQ. N° REQ. N° REQ.	REMARKS REMARQUES NOTAS			
1	12911	PIVOT PIN	2		51	45745	SPACER	8				
2	15358	EXPANSION PLUG	2		52	45830	CAP - KING PIN	4				
3	18340	BEARING	6		53	45881	KNUCKLE - L.H.	1				
4	19629	BEARING	4		54	45882	KNUCKLE - R.H.	1				
5	30088	TIE BAR	1		55	28A-04	GREASE FITTING	9				
6	46597	THRUST CAP	2		56	28B-04	GREASE FITTING	6				
7	30092	THRUST WASHER	2		57	12A-224	O RING	4				
8	46595	PIVOT BLOCK	2		58	12A-240	O RING	4				
9	30113	THRUST NUT	1		59	13C-0432	ROLL PIN	1				
10	30117	KING PIN	2		60	13C-0816	ROLL PIN	2				
11	30119	V RING SEAL	2		61	19B-218	RETAINER RING	2				
12	30120	CUP - INNER	2		62	19B-400	RETAINER RING	4				
13	30121	CONE - INNER	2		63	19C-137	SNAP RING	4				
14	30122	CUP - OUTER	2		64	50A-0404	BOLT	36				
15	30123	CONE - OUTER	2		65	14J-04	STAR WASHER	32				
16	30124	LOCKNUT	4		66	50A-0606	BOLT	8				
17	30125	LOCKWASHER	2		67	50A-0612	BOLT	12				
18	30126	KNUCKLE PIN	2		68	14A-06	LOCKWASHER	20				
19	30135	PIVOT PIN	1		69	14C-06	FLATWASHER	8				
20	30137	WASHER	2		70	70E-0616	SETSCREW	2				
21	46594	PIN - PIVOT BLOCK	2		71	70G-0840	SETSCREW	2				
				UP TO S/N 19984	72	50A-1236	BOLT	8				
21	*53535	PIN - PVIOT BLOCK	2	S/N 20088 & UP	73	14A-12	LOCKWASHER	8				
					74	31D-22	LOCKNUT	2				
22	46760	L.H. DRAG LINK - C/W YOKE	1									
23	30341	ADJUSTING COLLAR	1		75	12907-2	STUD	2				
24	46598	CAP - AXLE	4		76	*46599-1	ANCHOR LUG	1	REPAIR PART			
25	46600	AXLE FRAME	1		77	30458	MOUNTING BLOCK - MATCHED HALVES	2				
26	30431	PIN - RADIUS ARM	2		78	30476	ANCHOR LUG	2				
27	30440	NEEDLE BEARING	4									
28	30441	NEEDLE BEARING	16		79		STEERING CYLINDER ASSEMBLY	REF.	SECTION 1			
29	30442	BEARING	8						PAGE 14			
30	30443	BEARING	2		80		LEANING WHEEL CYLINDER ASSEMBLY	REF.	SECTION 1			
31	30444	THRUST WASHER	1						PAGE 18			
32	30445	THRUST WASHER	1		81		WHEEL & HUB	REF.	SECTION 7			
33	30446	BUSHING	2						PAGE 6			
34	30447	THRUST BEARING	2									
35	30448	SEAL - PIN	8									
36	30450	SEAL	4									
37	30475	BEARING PIN	4									
38	30478	SHIM	6									
39	35596	THRUST BEARING	4									
40	35597	THRUST BEARING	4									
41	12427	THRUST WASHER	4									
42	35619	SEAL RETAINER	4									
43	35620	ADJUSTMENT PIN	2									
44	35697	LOCKNUT	1									
45	36515	DUST SEAL	2									
46	36516	DEFLECTOR SPACER	2									
47	44358	SPINDLE - R.H.	1									
48	44359	SPINDLE - L.H.	1									
49	44446	R.H. DRAG LINK - C/W YOKE	1									
50	45002	BEARING PIN	2									

CHAMPION ROAD MACHINERY



FRONT AXLE - Models 780 & 780A

OCTOBER 1990

ISSUE No.
N° D'ÉMISSION
N° DE EDICION 2

FOR LIST OF PARTS - TURN THIS PAGE

POUR LA LISTE DES PIÈCES - VOIR AU VERSO

PARA LA LISTA DE LAS PIEZAS - VFR AL VERSO

USE ONLY
CHAMPION
ROAD MACHINERY
APPROVED PARTS

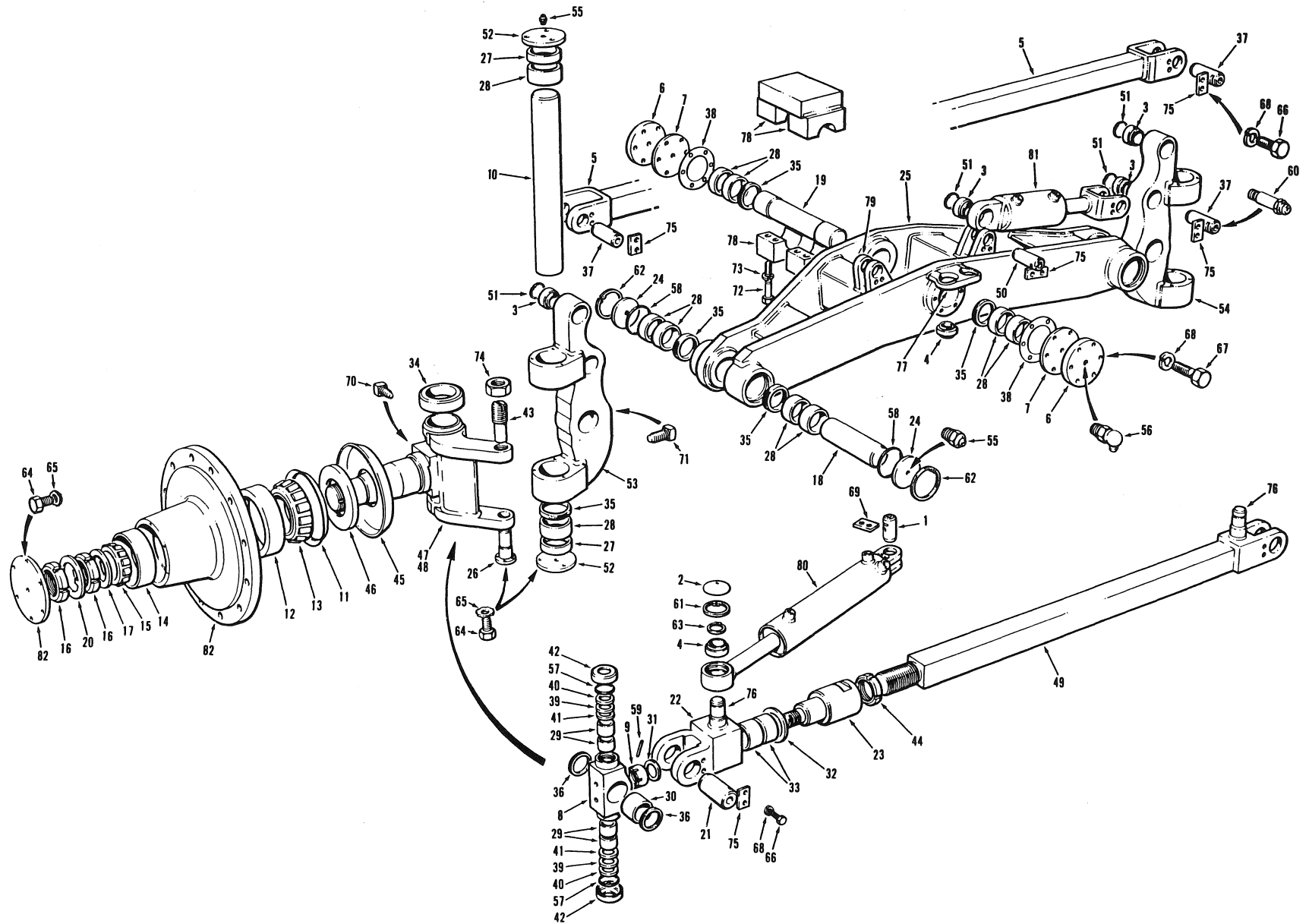
EFFECTIVE SERIAL NUMBER(S) 21053 & UP
NUMEROS(S) DE SERIE EFFECTIFS(S)
NUMEROS(S) DE SERIE EFFECTIVOS(S)

700 SERIES
SERIE 700

SECTION 1
SECCION 1
PAGE
PAGINA
25

SECTION SECCION		PAGE PAGINA	ISSUE No. N° D'ÉMISSION N° DE EDICION	FRONT AXLE - Models 780 & 780A			OCTOBER 1990		
No. N° N°	PART No. N° DE PIÈCE N° DE PIEZA	DESCRIPTION DESCRIPTION DESCRIPCION	No. REQ. N° REQ. N° REQ.	REMARKS REMARQUES NOTAS	No. N° N°	PART No. N° DE PIECE N° DE PIEZA	DESCRIPTION DESCRIPTION DESCRIPCION	No. REQ. N° REQ. N° REQ.	REMARKS REMARQUES NOTAS
1	*59089	PIVOT PIN	2		51	45745	SPACER	8	
2	*59030	EXPANSION PLUG	2		52	45830	CAP - KING PIN	4	
3	18340	BEARING	6		53	*59064	KNUCKLE - L.H.	1	
4	19629	BEARING	4		54	*59065	KNUCKLE - R.H.	1	
5	*56914	TIE BAR	1		55	28A-04	GREASE FITTING	9	
6	46597	THRUST CAP	2		56	28B-04	GREASE FITTING	6	
7	30092	THRUST WASHER	2		57	12A-224	O RING	4	
8	46595	PIVOT BLOCK	2		58	12A-240	O RING	4	
9	30113	THRUST NUT	1		59	13C-0432	ROLL PIN	1	
10	30117	KING PIN	2		60	29G-01	GREASE FITTING	10	
11	30119	V RING SEAL	2		61	19B-218	RETAINER RING	2	
12	30120	CUP - INNER	2		62	19B-400	RETAINER RING	4	
13	30121	CONE - INNER	2		63	19C-137	SNAP RING	4	
14	30122	CUP - OUTER	2		64	50A-0404	BOLT	36	
15	30123	CONE - OUTER	2		65	14J-04	STAR WASHER	32	
16	30124	LOCKNUT	4		66	*50A-0608	BOLT	16	
17	30125	LOCKWASHER	2		67	50A-0612	BOLT	12	
18	30126	KNUCKLE PIN	2		68	14A-06	LOCKWASHER	20	
19	30135	PIVOT PIN	1		69	*59088	LOCK PLATE	8	
20	30137	WASHER	2		70	70E-0616	SETSCREW	2	
21	*59074	PIN - PVIOT BLOCK	2		71	70G-0840	SETSCREW	2	
22	*56990	L.H. DRAG LINK - C/W YOKE	1		72	50A-1236	BOLT	8	
23	30341	ADJUSTING COLLAR	1		73	14A-12	LOCKWASHER	8	
24	46598	CAP - AXLE	4		74	31D-22	LOCKNUT	2	
25	*59075	AXLE FRAME	1		75	*56909	LOCK PLATE	8	
26	30431	PIN - RADIUS ARM	2						
27	30440	NEEDLE BEARING	4		76	12907-2	STUD	2	
28	30441	NEEDLE BEARING	16		77	46599-1	ANCHOR LUG	1	} Repair Part
29	30442	BEARING	8		78	30458	MOUNTING BLOCK - MATCHED HALVES	2	
30	30443	BEARING	2		79	*56918	ANCHOR LUG	2	
31	30444	THRUST WASHER	1						
32	30445	THRUST WASHER	1		80		STEERING CYLINDER ASSEMBLY	REF.	Sect 1 Pg 13
33	30446	BUSHING	2		81		LEANING WHEEL CYLINDER ASSEMBLY	REF.	Sect 1 pg 17
34	30447	THRUST BEARING	2		82		WHEEL & HUB	REF.	Sect 7 Pg 5
35	30448	SEAL - PIN	8						
36	30450	SEAL	4						
37	*59072	BEARING PIN	4						
38	30478	SHIM	6						
39	35596	THRUST BEARING	4						
40	35597	THRUST BEARING	4						
41	12427	THRUST WASHER	4						
42	35619	SEAL RETAINER	4						
43	35620	ADJUSTMENT PIN	2						
44	35697	LOCKNUT	1						
45	36515	DUST SEAL	2						
46	36516	DEFLECTOR SPACER	2						
47	44358	SPINDLE - R.H.	1						
48	44359	SPINDLE - L.H.	1						
49	*56991	R.H. DRAG LINK - C/W YOKE	1						
50	*59073	BEARING PIN	2						

CHAMPION ROAD MACHINERY



FRONT AXLE - Models 780 & 780A

JUNE 1991

ISSUE No.
N° D'ÉMISSION
N° DE EDICION 3

FOR LIST OF PARTS - TURN THIS PAGE

POUR LA LISTE DES PIÈCES - VOIR AU VERSO

PARA LA LISTA DE LAS PIEZAS - VER AL VERSO

EFFECTIVE SERIAL NUMBERS) 21563 & UP
NUMEROS) DE SERIE EFFECTIFS)
NUMEROS) DE SERIE EFFECTIVOS)

700 SERIES
SERIE 700

SECTION 1 PAGE 25
SECCION 1 PAGINA 25

USE ONLY CHAMPION APPROVED PARTS

SECTION SECCION		PAGE PAGINA		ISSUE No. N° D'ÉMISSION N° DE EDICION		FRONT AXLE - Models 780 & 780A				JUNE 1991	
No. N° N°	PART No. N° DE PIÈCE N° DE PIEZA	DESCRIPTION DESCRIPTION DESCRIPCION	No. REQ. N° REQ. N° REQ.	REMARKS REMARQUES NOTAS	No. N° N°	PART No. N° DE PIECE N° DE PIEZA	DESCRIPTION DESCRIPTION DESCRIPCION	No. REQ. N° REQ. N° REQ.	REMARKS REMARQUES NOTAS		
1	59089	PIVOT PIN	2		51	*19B-244	RETAINER RING	6			
2	59030	EXPANSION PLUG	2		52	45830	CAP - KING PIN	4			
3	18340	BEARING	6		53	*59528	KNUCKLE - L.H.	1			
4	19629	BEARING	4		54	*59529	KNUCKLE - R.H.	1			
5	56914	TIE BAR	1		55	28A-04	GREASE FITTING	9			
6	46597	THRUST CAP	2		56	28B-04	GREASE FITTING	6			
7	30092	THRUST WASHER	2		57	12A-224	O-RING	4			
8	46595	PIVOT BLOCK	2		58	12A-240	O-RING	4			
9	30113	THRUST NUT	1		59	13C-0432	ROLL PIN	1			
10	*59882	KING PIN	2		60	29G-01	GREASE FITTING	10			
11	30119	V RING SEAL	2		61	*19B-250	RETAINER RING	2			
12	30120	CUP - INNER	2		62	19B-400	RETAINER RING	4			
13	30121	CONE - INNER	2		63	19C-137	SNAP RING	4			
14	30122	CUP - OUTER	2		64	50A-0404	BOLT	36			
15	30123	CONE - OUTER	2		65	14J-04	STAR WASHER	32			
16	30124	LOCKNUT	4		66	50A-0608	BOLT	16			
17	30125	LOCKWASHER	2		67	50A-0612	BOLT	12			
18	30126	KNUCKLE PIN	2		68	14A-06	LOCKWASHER	20			
19	30135	PIVOT PIN	1		69	59088	LOCK PLATE	8			
20	30137	WASHER	2		70	70E-0616	SETSCREW	2			
21	59074	PIN - PVIOT BLOCK	2		71	70G-0840	SETSCREW	2			
22	56990	L.H. DRAG LINK - C/W YOKE	1		72	50A-1236	BOLT	8			
23	30341	ADJUSTING COLLAR	1		73	14A-12	LOCKWASHER	8			
24	46598	CAP - AXLE	4		74	31D-22	LOCKNUT	2			
25	59075	AXLE FRAME	1		75	56909	LOCK PLATE	8			
26	30431	PIN - RADIUS ARM	2								
27	30440	NEEDLE BEARING	4		76	12907-2	STUD	2			
28	30441	NEEDLE BEARING	16		77	*59659	ANCHOR LUG	1	} Repair Part		
29	30442	BEARING	8		78	30458	MOUNTING BLOCK - MATCHED HALVES	2			
30	30443	BEARING	2		79	56918	ANCHOR LUG	2			
31	30444	THRUST WASHER	1								
32	30445	THRUST WASHER	1		80		STEERING CYLINDER ASSEMBLY	REF.	Sect 1 Pg 13		
33	30446	BUSHING	2								
34	30447	THRUST BEARING	2		81		LEANING WHEEL CYLINDER ASSEMBLY	REF.	Sect 1 pg 17		
35	30448	SEAL - PIN	8								
36	30450	SEAL	4		82		WHEEL & HUB	REF.	Sect 7 Pg 5		
37	59072	BEARING PIN	4								
38	30478	SHIM	6								
39	35596	THRUST BEARING	4								
40	35597	THRUST BEARING	4								
41	12427	THRUST WASHER	4								
42	35619	SEAL RETAINER	4								
43	35620	ADJUSTMENT PIN	2								
44	35697	LOCKNUT	1								
45	*54549	DUST SEAL	2								
46	36516	DEFLECTOR SPACER	2								
47	44358	SPINDLE - R.H.	1								
48	44359	SPINDLE - L.H.	1								
49	*59536	R.H. DRAG LINK - C/W YOKE	1								
50	59073	BEARING PIN	2								